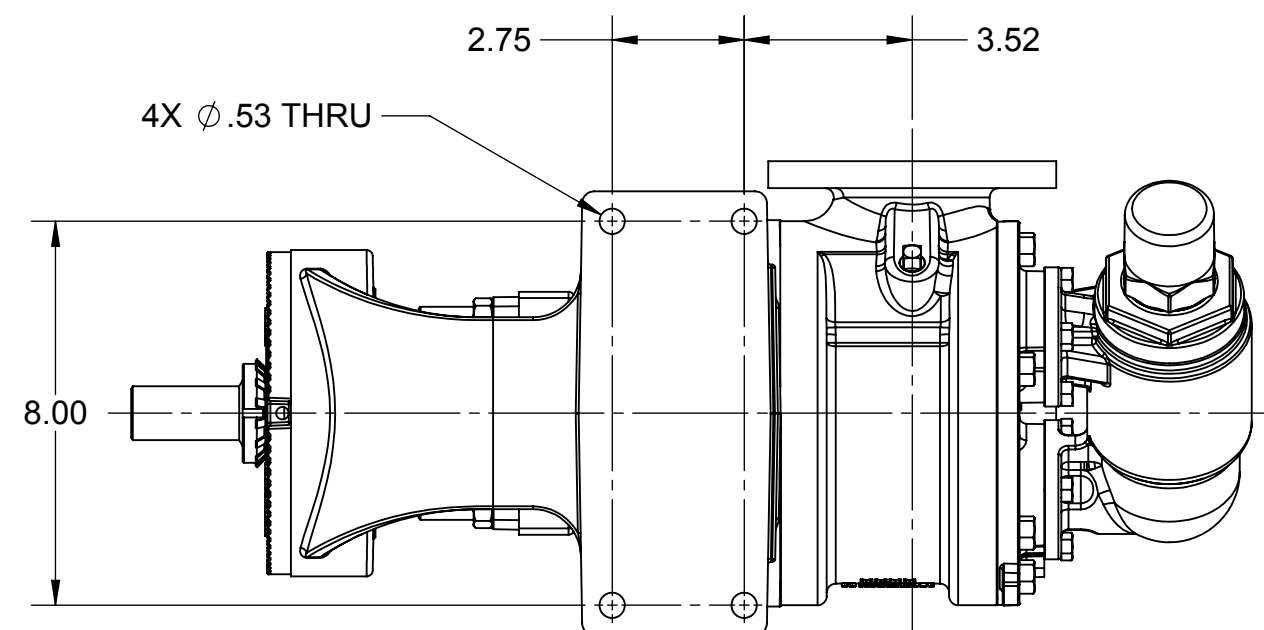
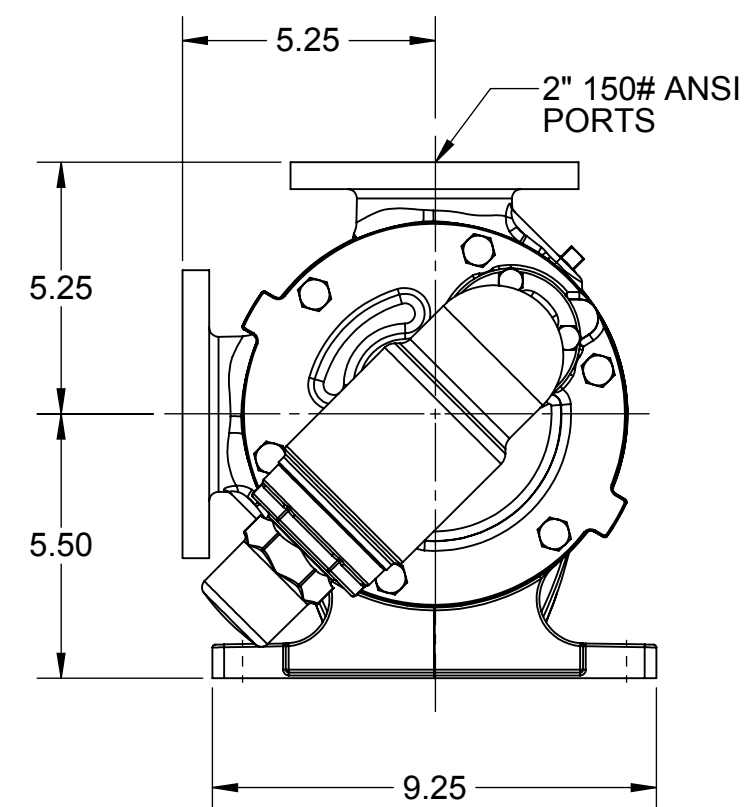
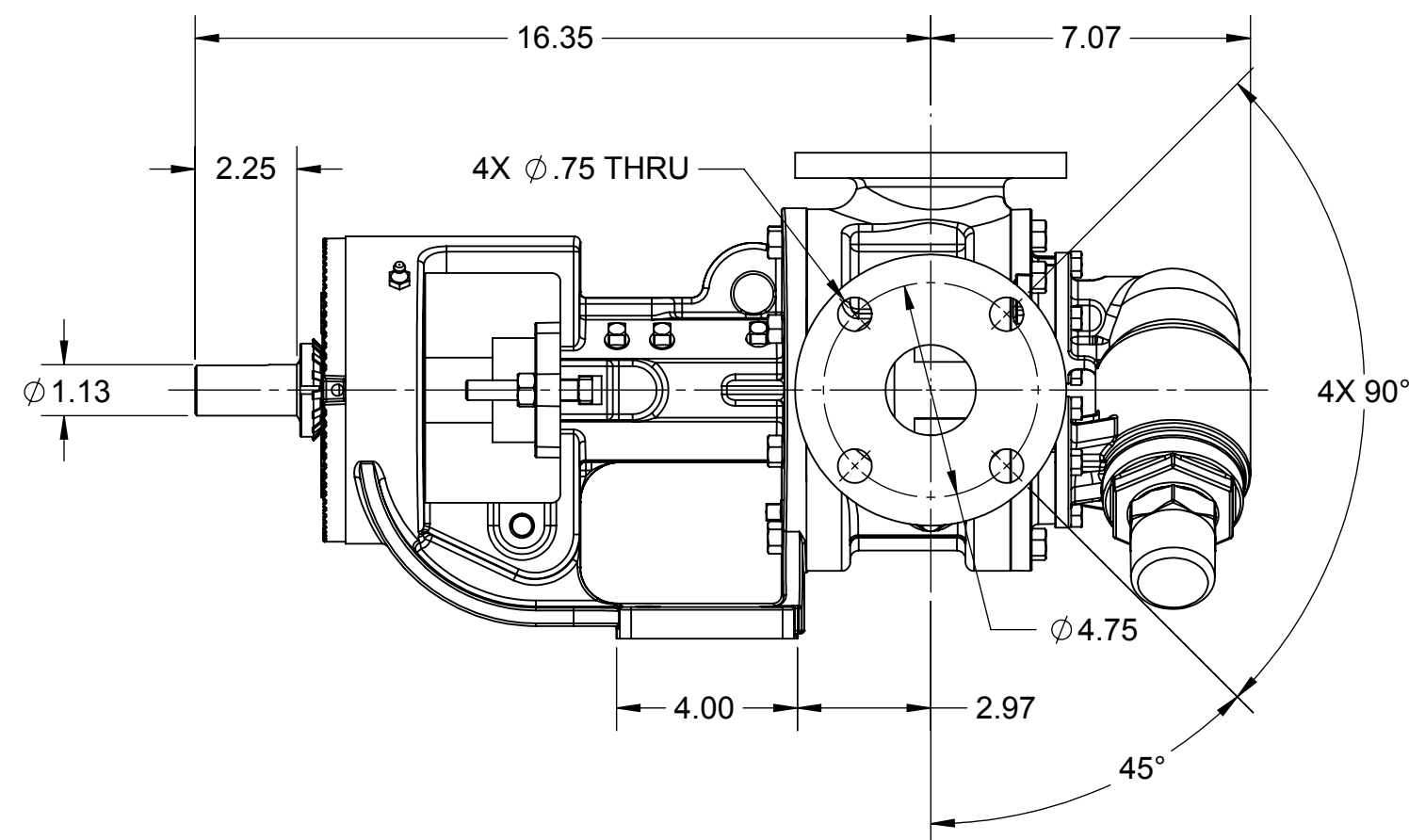
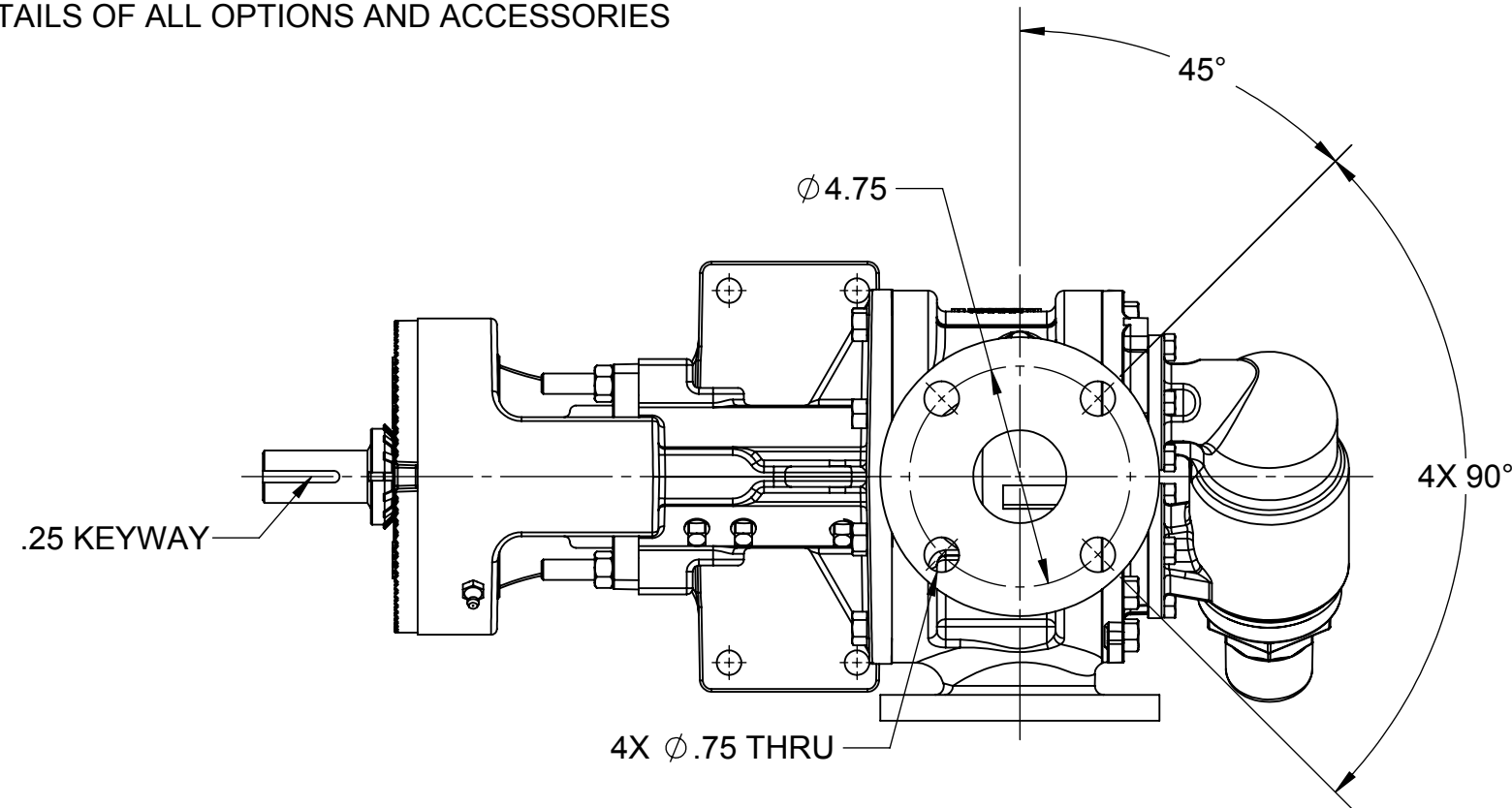


NOTES: UNLESS OTHERWISE SPECIFIED

1. DIMENSIONS AND TOLERANCES PER ASME Y14.5M-1994.
2. * INDICATES DIMENSIONS AND/OR FEATURES MODIFIED ON CURRENT REVISION LEVEL.

THIS DRAWING DOES NOT SHOW DETAILS OF ALL OPTIONS AND ACCESSORIES

REV	DESCRIPTION
A	RELEASED INTO PRODUCTION SEE ECN #N00193
B	SEE ECN #N00225
C	SEE ECN #N00307



THIS DOCUMENT CONTAINS PROPRIETARY INFORMATION OF PSG - A DOVER COMPANY. ITS RECEIPT AND POSSESSION DO NOT CONVEY ANY RIGHTS TO REPRODUCE OR DISCLOSE ITS CONTENTS OR TO MANUFACTURE USE OR SELL ANYTHING IT MAY DESCRIBE. THIS DOCUMENT IS SUBJECT TO RETURN UPON REQUEST. REPRODUCTION, DISCLOSURE OR USE OF THIS DOCUMENT WITHOUT THE WRITTEN AUTHORIZATION OF DOVER CORPORATION IS STRICTLY FORBIDDEN.

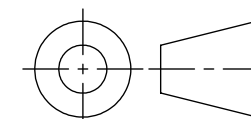
DO NOT SCALE DRAWING UNLESS OTHERWISE SPECIFIED
DIMENSIONS ARE IN INCHES
TOLERANCES ARE:

DECIMALS .XX ± -

.XXX ± -

ANGLES ± -

THIRD ANGLE PROJECTION



DRAWN BY C. LEOPOLD DATE 06/29/15

APPROVED BY N. ORTEGA DATE 06/29/15



BLACKMER® PUMPS
1809 CENTURY AVE SW
GRAND RAPIDS, MI USA 49503
TELEPHONE: 616-241-1611
WWW.BLACKMER.COM

TITLE
**PUMP ASSEMBLY, DIMENSIONAL
G1-24/32, FLANGED**

SIZE C DRAWING NO. LM0023 REV. C

SCALE 1:4 SHEET 1 OF 1