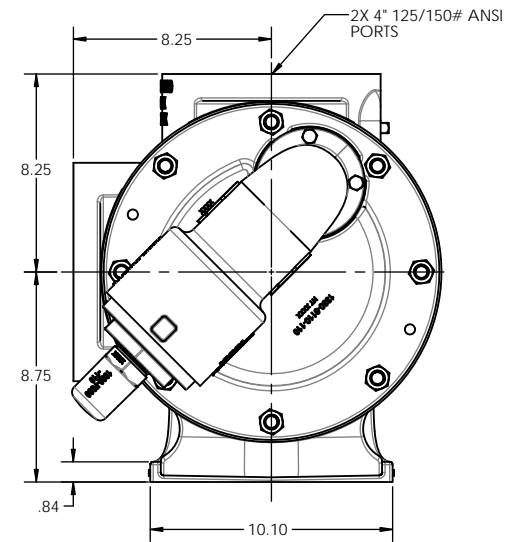
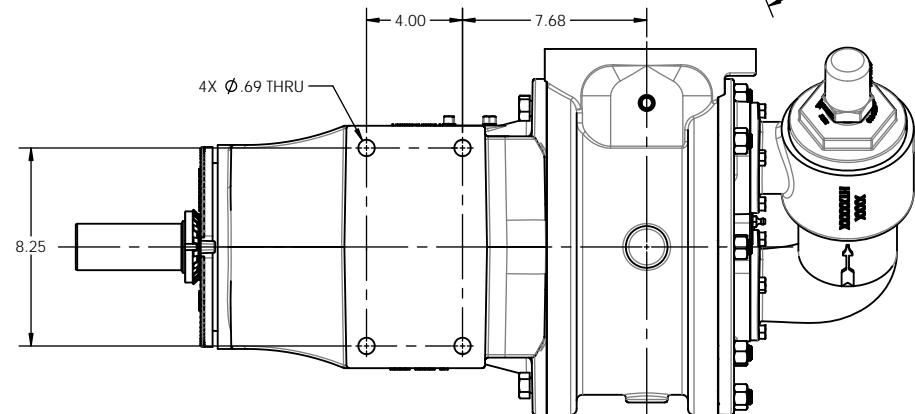
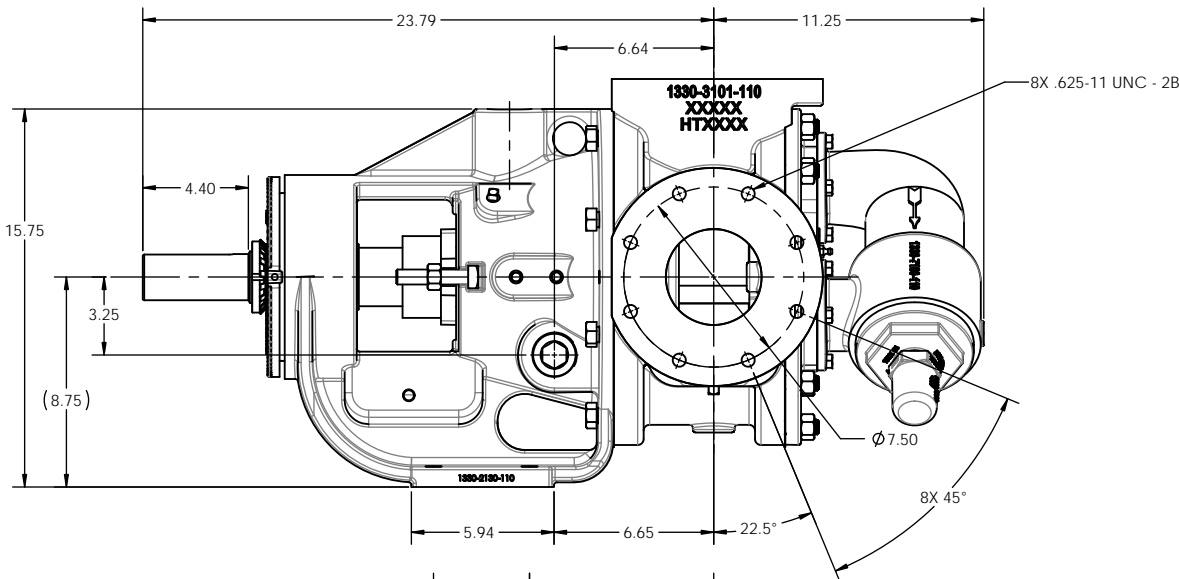
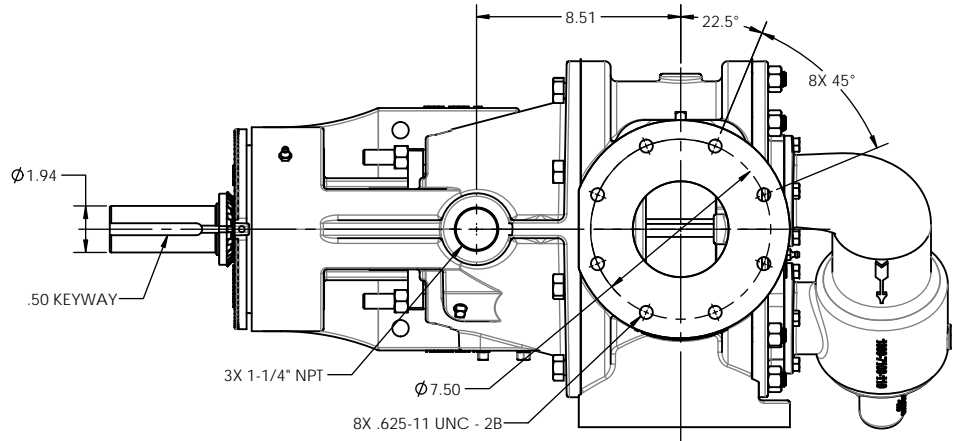


REV	DESCRIPTION
A	RELEASED INTO PRODUCTION SEE ECN #GRT001329



NOTES: UNLESS OTHERWISE SPECIFIED

1. DIMENSIONS AND TOLERANCES PER ASME Y14.5M-1994.
 2. * INDICATES DIMENSIONS AND/OR FEATURES MODIFIED ON CURRENT REV LEVEL.
- THIS DRAWING DOES NOT SHOW DETAILS OF ALL OPTIONS AND ACCESSORIES.

THIS DOCUMENT CONTAINS PROPRIETARY INFORMATION OF PSG - A DOVER COMPANY. ITS RECEIPT AND POSSESSION DO NOT CONVEY ANY RIGHTS TO REPRODUCE OR DISCLOSE ITS CONTENTS OR TO MANUFACTURE USE OR SELL ANYTHING IT MAY DESCRIBE. THIS DOCUMENT IS SUBJECT TO RETURN UPON REQUEST. REPRODUCTION, DISCLOSURE OR USE OF THIS DOCUMENT WITHOUT THE WRITTEN AUTHORIZATION OF DOVER CORPORATION IS STRICTLY FORBIDDEN.

DO NOT SCALE DRAWING
UNLESS OTHERWISE SPECIFIED
DIMENSIONS ARE IN INCHES
TOLERANCES ARE:

DECIMALS .XX ± -

ANGLES ± -

DRAWN BY
CJL
DATE
2021-03-08
APPROVED BY
NJ
DATE
2021-03-16



BLACKMER PUMPS
1809 CENTURY AVE SW
GRAND RAPIDS, MI USA 49503
TELEPHONE: 616-241-1611
WWW.BLACKMER.COM

TITLE PUMP ASSEMBLY, DIMENSIONAL		DRAWING NO. LM0170		REV. A
SIZE C	SCALE 1:4	SHEET 1 OF 1		

THIRD ANGLE PROJECTION

