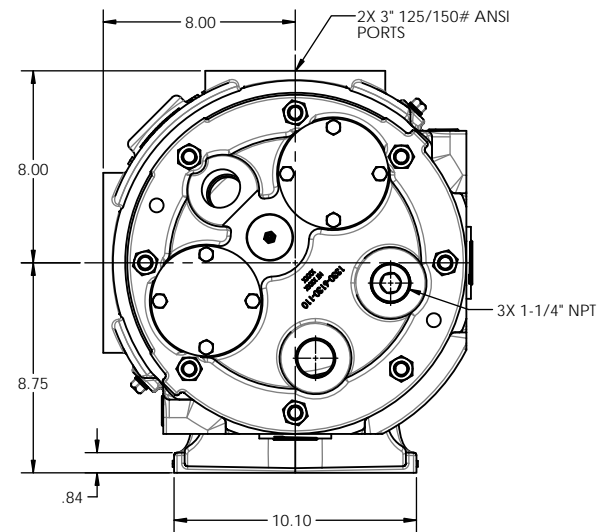
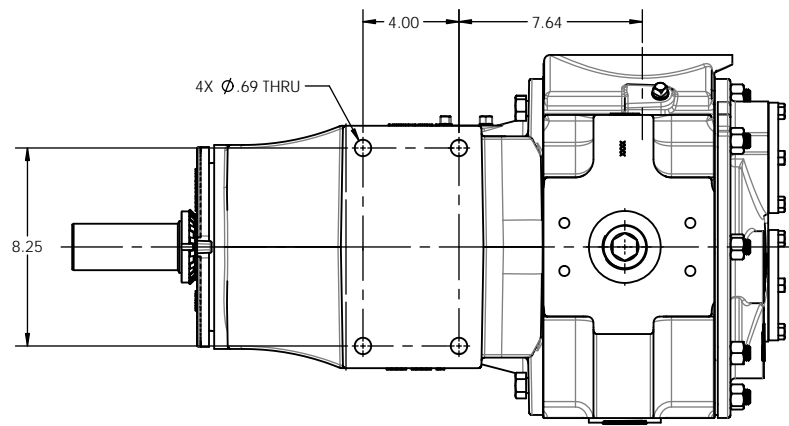
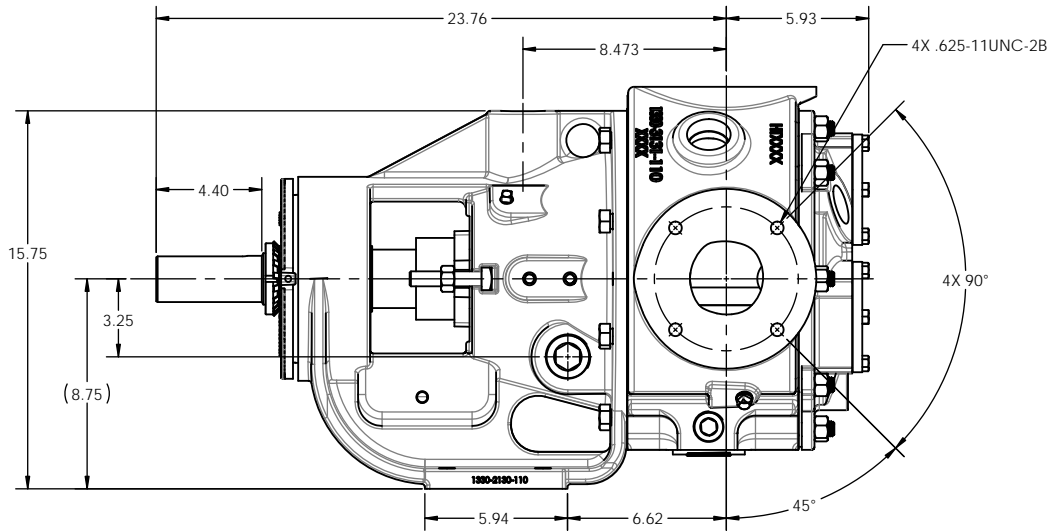
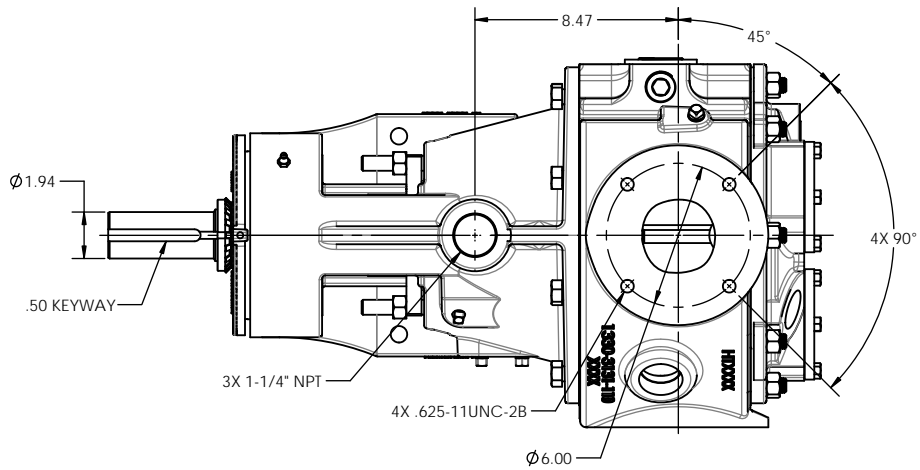


REV	DESCRIPTION
A	RELEASED INTO PRODUCTION SEE ECN #GRT001340



NOTES: UNLESS OTHERWISE SPECIFIED  
 1. DIMENSIONS AND TOLERANCES PER ASME Y14.5M-1994.  
 2. \* INDICATES DIMENSIONS AND/OR FEATURES MODIFIED ON CURRENT REV LEVEL.  
 THIS DRAWING DOES NOT SHOW DETAILS OF ALL OPTIONS AND ACCESSORIES.

<small>THIS DOCUMENT CONTAINS PROPRIETARY INFORMATION OF PSG - A DOVER COMPANY. ITS RECEIPT AND POSSESSION DO NOT CONVEY ANY RIGHTS TO REPRODUCE OR DISCLOSE ITS CONTENTS OR TO MANUFACTURE USE OR SELL ANYTHING IT MAY DESCRIBE. THIS DOCUMENT IS SUBJECT TO RETURN UPON REQUEST. REPRODUCTION, DISCLOSURE OR USE OF THIS DOCUMENT WITHOUT THE WRITTEN AUTHORIZATION OF DOVER CORPORATION IS STRICTLY FORBIDDEN.</small>		<b>DO NOT SCALE DRAWING</b> UNLESS OTHERWISE SPECIFIED DIMENSIONS ARE IN INCHES TOLERANCES ARE: DECIMALS .XX ± - .XXX ± - ANGLES ± -		BLACKMER PUMPS 1809 CENTURY AVE SW GRAND RAPIDS, MI USA 49503 TELEPHONE: 616-241-1611 WWW.BLACKMER.COM	
THIRD ANGLE PROJECTION 		TITLE <b>PUMP ASSEMBLY , DIMENSIONAL, G2-133</b> 3" FLG, JKT CASE, JKT HD, NO PRV		DRAWING NO. <b>LM0177</b>	
DRAWN BY C.J.L.	DATE 2021-03-12	SIZE <b>C</b>	SCALE 1:4	SHEET 1 OF 1	REV <b>A</b>