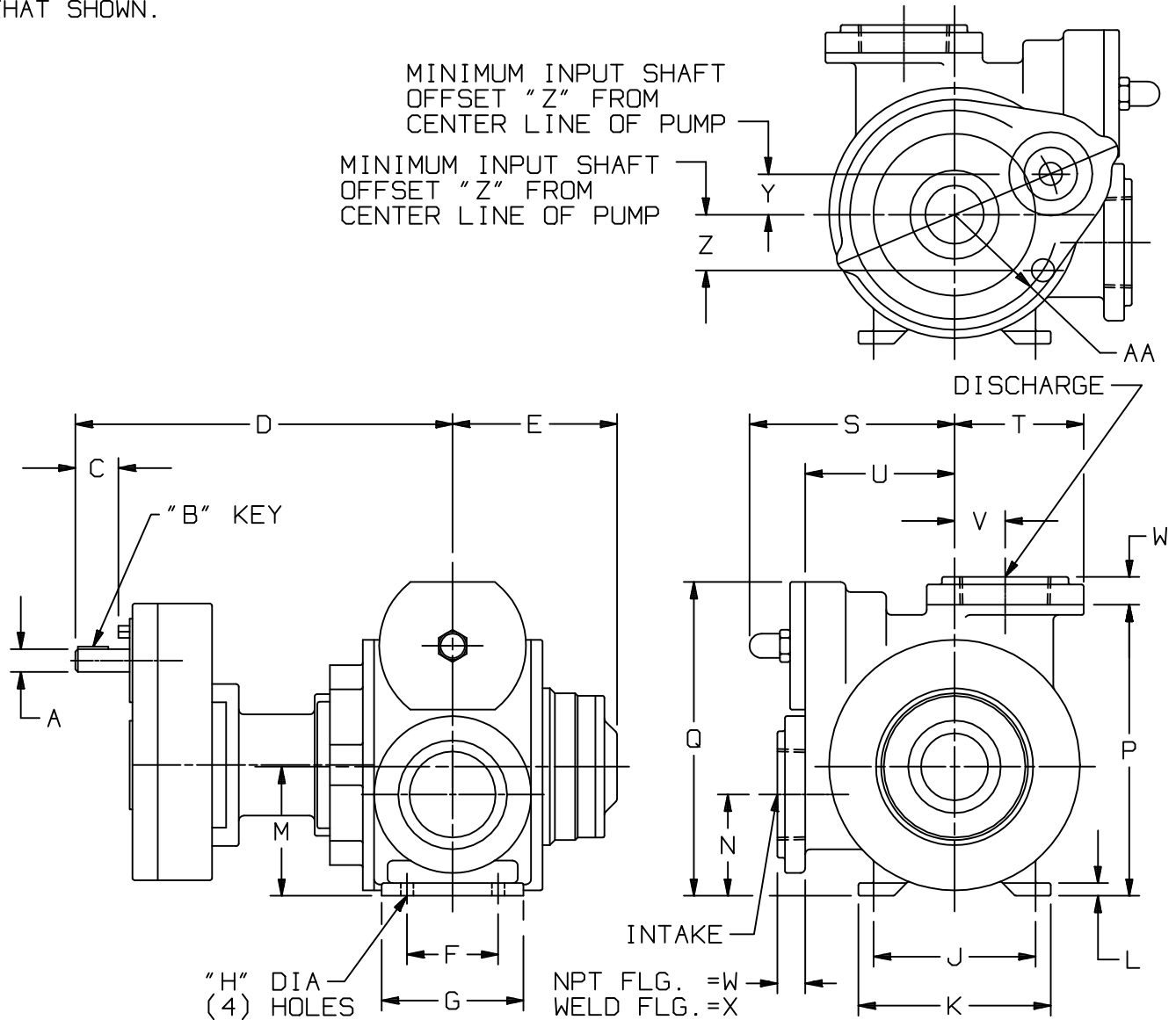


TYPE	SIZE	UNIT STYLE
GX	4B	PO

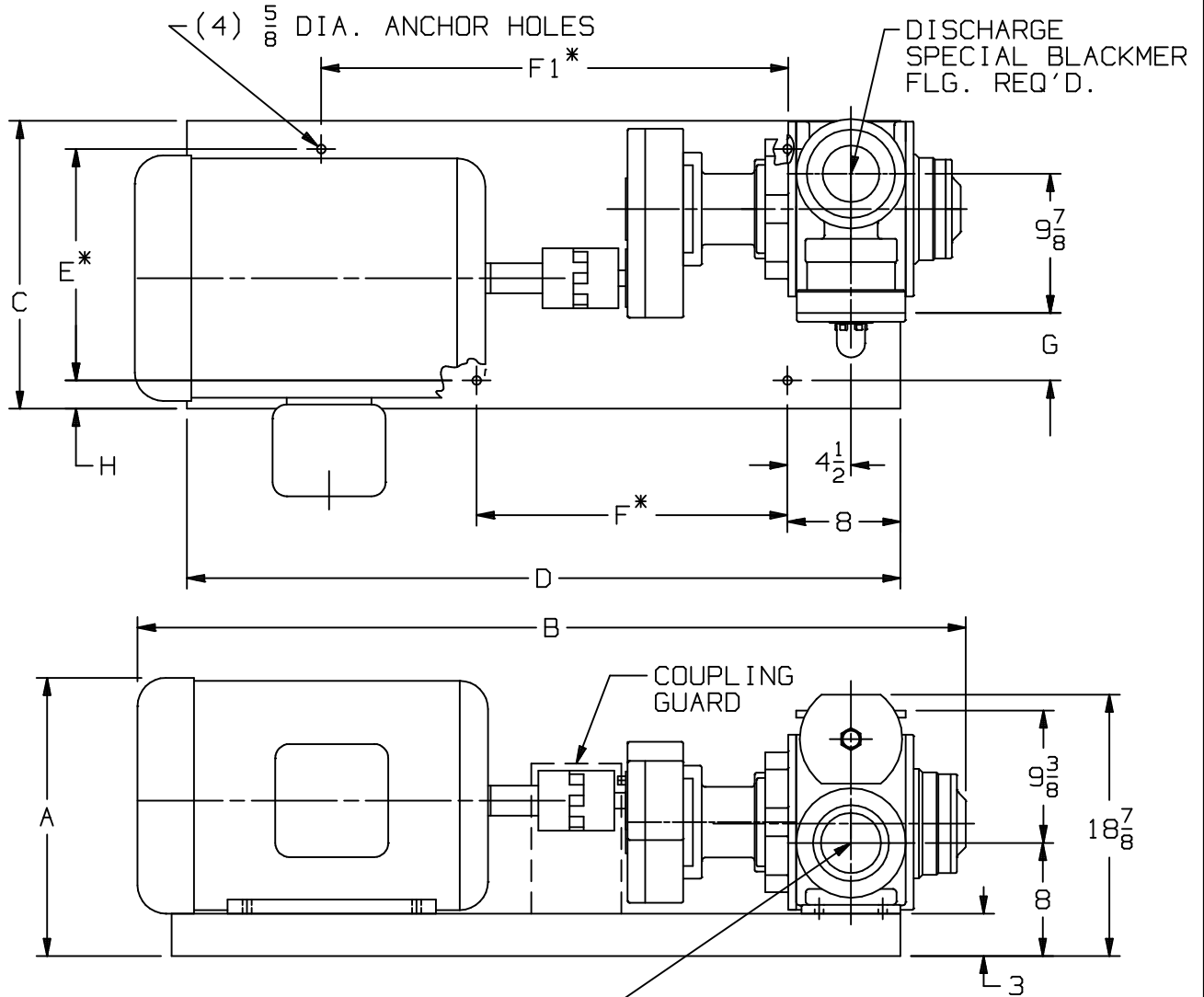
DIMENSIONS 101-108	
Section	101
Effective	February 2003
Replaces	October 1995
Page	1/3

RIGHT HAND ROTATION. FOR LEFT HAND ROTATION, SHAFT PROJECTION IS OPPOSITE THAT SHOWN.

MINIMUM INPUT SHAFT OFFSET "Z" FROM CENTER LINE OF PUMP
 MINIMUM INPUT SHAFT OFFSET "Z" FROM CENTER LINE OF PUMP



MOTOR		UNITS	DIMENSIONS										WEIGHT WITHOUT FLANGES
FRAME SIZE			A	B	C	D	E	F	G	H	J	K	
		IN	1 1/8	1/4	2 1/8	18 5/8	8 1/8	4 1/2	7	5/8	8	9 1/2	
		MM	28,6	6,4	54	473,1	206,4	114,3	177,8	15,9	203,2	241,3	
			L	M	N	P	Q	R	S	T	U	V	
		IN	5/8	6 3/8	5	14 3/8	15 1/2	—	10 1/8	6 3/8	7 3/8	2 1/2	
		MM	15,9	177,8	127,0	365,1	393,7	—	257,2	161,9	187,3	63,5	
			W	X	Y	Z	AA	BB	CC	DD			
		IN	1 3/8	3	2	2 3/4	5 5/32	—	—	—	LBS	430	
		MM	34,9	76,2	50,8	69,9	131	—	—	—	KG	195	



UNIT DIMENSION LESS FLANGES

* TOLERANCE $\pm \frac{1}{8}$

TOLERANCE ON OTHER DIMENSIONS $\pm \frac{1}{4}$

"A" DIMENSION LESS EYEBOLT

FLG. HT: 4" NPT-1 $\frac{3}{8}$

4" WELD-3

MOTOR			DIMENSIONS											
FRAME SIZE		BASE NO.	A	B	C	D	E	F	F1	G	H	J	K	L
213T		901650	14 $\frac{1}{4}$	48 $\frac{3}{8}$	19 $\frac{5}{8}$	43	14	15	26	3	2 $\frac{7}{8}$			
215T		901650	14 $\frac{1}{4}$	48 $\frac{3}{8}$	19 $\frac{5}{8}$	43	14	15	26	3	2 $\frac{7}{8}$			
254T		901653	16 $\frac{3}{8}$	52 $\frac{1}{4}$	19 $\frac{5}{8}$	43	14	15	26	3	2 $\frac{7}{8}$			
256T		901653	16 $\frac{3}{8}$	54	19 $\frac{5}{8}$	43	14	15	26	3	2 $\frac{7}{8}$			
284T		901498	18	56	20 $\frac{3}{8}$	50 $\frac{1}{2}$	16 $\frac{3}{8}$	22	33	4 $\frac{3}{4}$	2			
286T		901498	18	57 $\frac{1}{2}$	20 $\frac{3}{8}$	50 $\frac{1}{2}$	16 $\frac{3}{8}$	22	33	4 $\frac{3}{4}$	2			
324T		901498	20	59 $\frac{5}{8}$	20 $\frac{3}{8}$	50 $\frac{1}{2}$	16 $\frac{3}{8}$	22	33	4 $\frac{3}{4}$	2			
326T		901498	20	61 $\frac{1}{8}$	20 $\frac{3}{8}$	50 $\frac{1}{2}$	16 $\frac{3}{8}$	22	33	4 $\frac{3}{4}$	2			

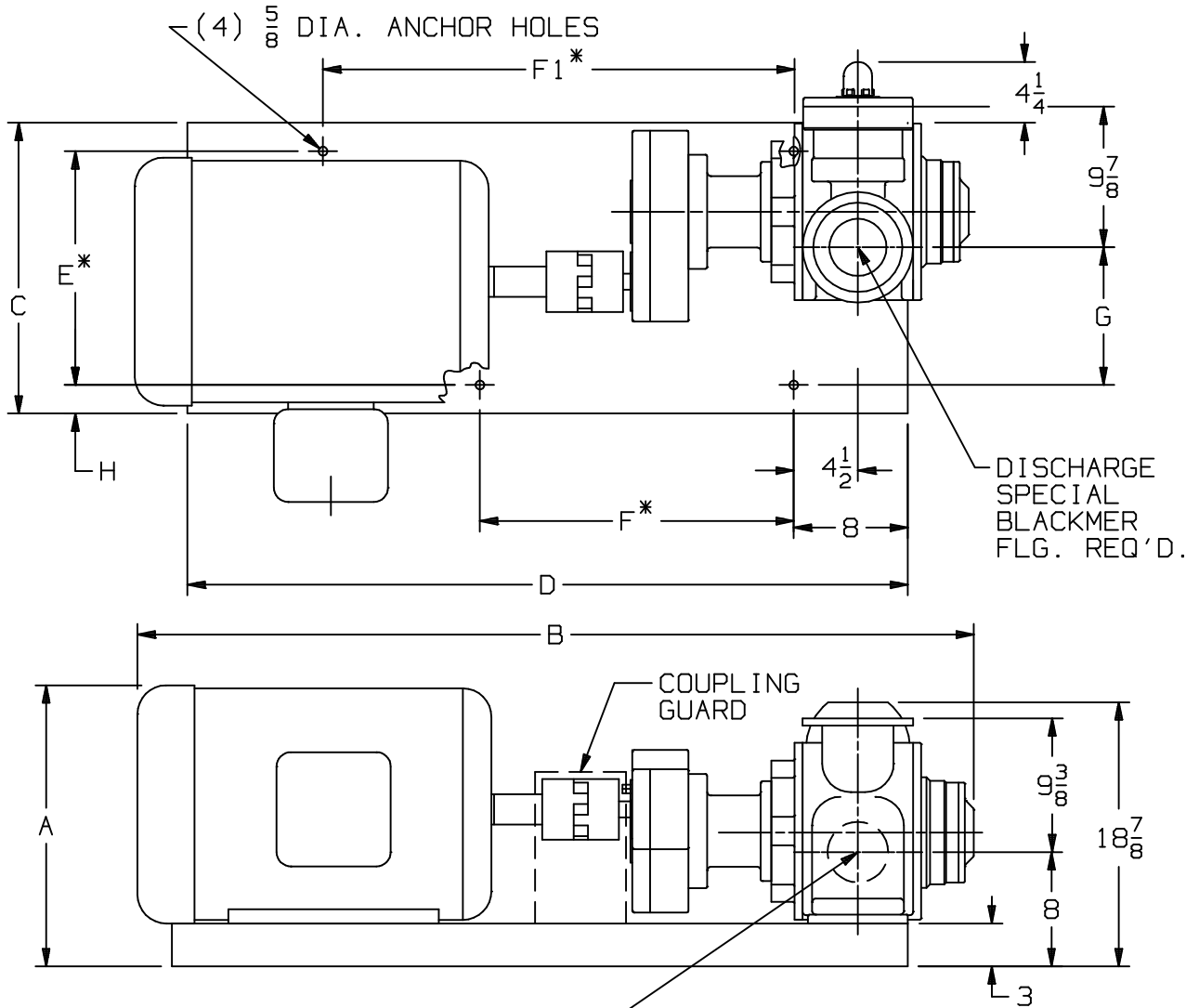
DIMENSIONS 101-108

Section 101
 Effective April 2003
 Replaces February 2003
 Page 3/3

TYPE
 GX
 LEFT HAND
 ROTATION

SIZE
 4B

UNIT
 STYLE
 GX



UNIT DIMENSION LESS FLANGES

* TOLERANCE $\pm \frac{1}{8}$

TOLERANCE ON OTHER DIMENSIONS $\pm \frac{1}{4}$

"A" DIMENSION LESS EYEBOLT

INTAKE SPECIAL BLACKMER FLG. REQ'D.

FLG. HT: 4" NPT- $1\frac{3}{8}$

4" WELD-3

MOTOR			BASE NO.	DIMENSIONS											
FRAME SIZE				A	B	C	D	E	F	F1	G	H	J	K	L
213T			901650	14 $\frac{1}{4}$	48 $\frac{3}{8}$	19 $\frac{5}{8}$	43	14	15	26	7 $\frac{7}{8}$	2 $\frac{7}{8}$			
215T			901650	14 $\frac{1}{4}$	48 $\frac{3}{8}$	19 $\frac{5}{8}$	43	14	15	26	7 $\frac{7}{8}$	2 $\frac{7}{8}$			
254T			901653	16 $\frac{3}{8}$	52 $\frac{1}{4}$	19 $\frac{5}{8}$	43	14	15	26	7 $\frac{7}{8}$	2 $\frac{7}{8}$			
256T			901653	16 $\frac{3}{8}$	54	19 $\frac{5}{8}$	43	14	15	26	7 $\frac{7}{8}$	2 $\frac{7}{8}$			
284T			901498	18	56	20 $\frac{3}{8}$	50 $\frac{1}{2}$	16 $\frac{3}{8}$	22	33	9 $\frac{5}{8}$	2			
286T			901498	18	57 $\frac{1}{2}$	20 $\frac{3}{8}$	50 $\frac{1}{2}$	16 $\frac{3}{8}$	22	33	9 $\frac{5}{8}$	2			
324T			901498	20	59 $\frac{5}{8}$	20 $\frac{3}{8}$	50 $\frac{1}{2}$	16 $\frac{3}{8}$	22	33	9 $\frac{5}{8}$	2			
326T			901498	20	61 $\frac{1}{8}$	20 $\frac{3}{8}$	50 $\frac{1}{2}$	16 $\frac{3}{8}$	22	33	9 $\frac{5}{8}$	2			