

TYPE	SIZE	UNIT STYLE
TX206A	3	PO

**DIMENSIONS 205-101**

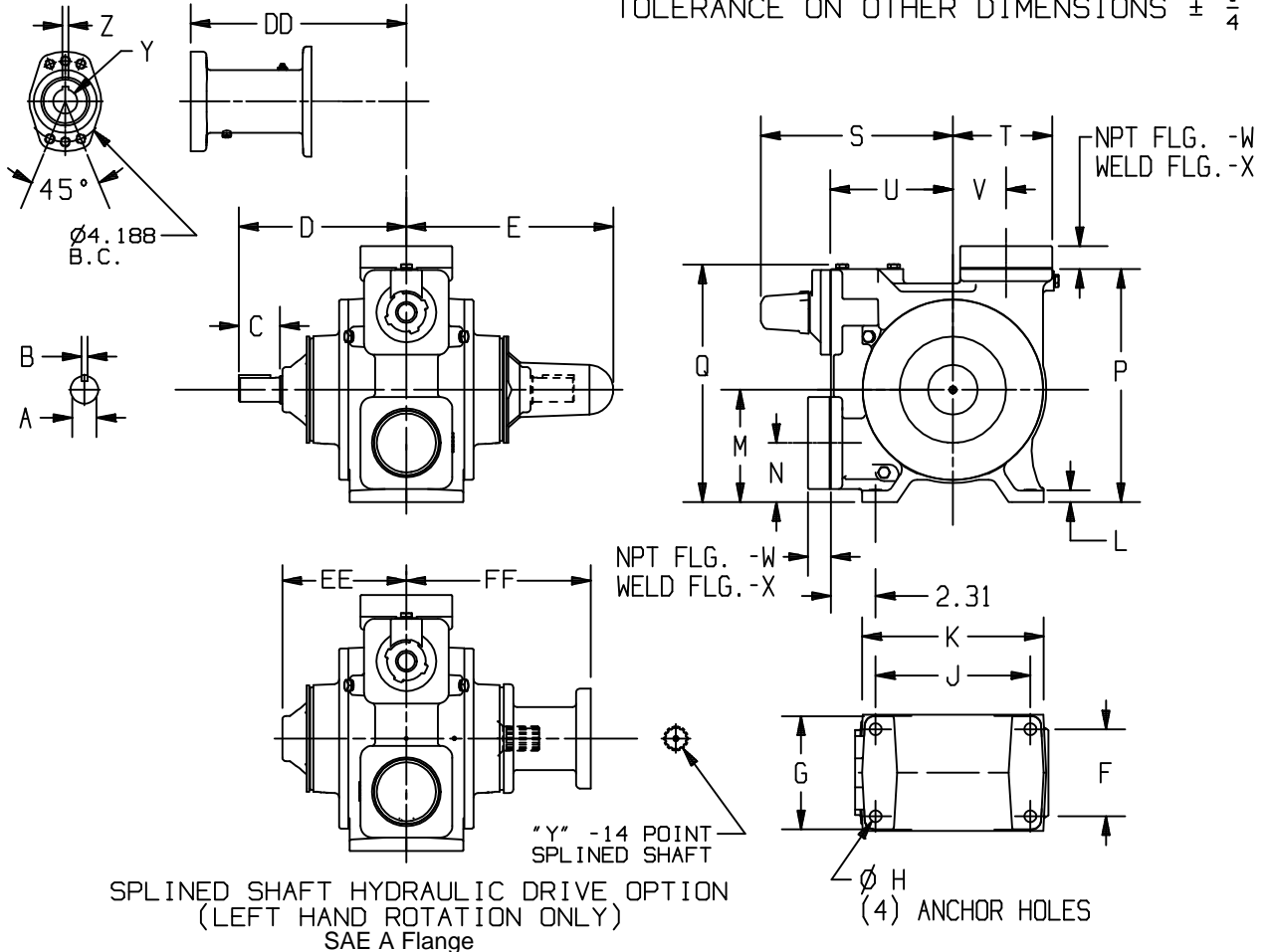
Section Effective	205 March 2002
Replaces	Dec 2001
Page	1/1

RIGHT HAND ROTATION. FOR LEFT HAND ROTATION, SHAFT PROJECTION IS OPPOSITE THAT SHOWN.

Keyed Shaft Hydraulic Drive Option SAE A Flange

\* TOLERANCE  $\pm \frac{1}{8}$

TOLERANCE ON OTHER DIMENSIONS  $\pm \frac{1}{4}$



SPLINED SHAFT HYDRAULIC DRIVE OPTION (LEFT HAND ROTATION ONLY) SAE A Flange

MOTOR			UNITS	DIMENSIONS									
FRAME SIZE				A	B	C	D	E	F	G	H	J	K
			IN	1 1/4	5/16	2 1/8	8 11/16	10 5/8	4 1/2	5 7/8	5/8	8	9 3/8
			MM	31,8	7,9	53,9	220,7	269,9	114,3	149,2	15,9	203,2	238,1
				L	M	N	P	Q	R	S	T	U	V
			IN	5/8	5 13/16	3 1/16	12	12 3/8	—	10	5 1/8	6 3/8	2 3/4
			MM	15,9	147,6	77,8	304,8	314,3	—	254	130,2	161,9	69,8
				W	X	Y	Z	AA	BB	CC	DD	EE	FF
			IN	1 1/8	1 3/16	1 1/4	5/16	—	—	—	11 3/16	6 7/16	9 9/16
			MM	28,6	30,2	31,8	7,9	—	—	—	284,2	161,8	242,9
				WEIGHT WITHOUT FLANGES									
			LBS	150									
			KG	68									