
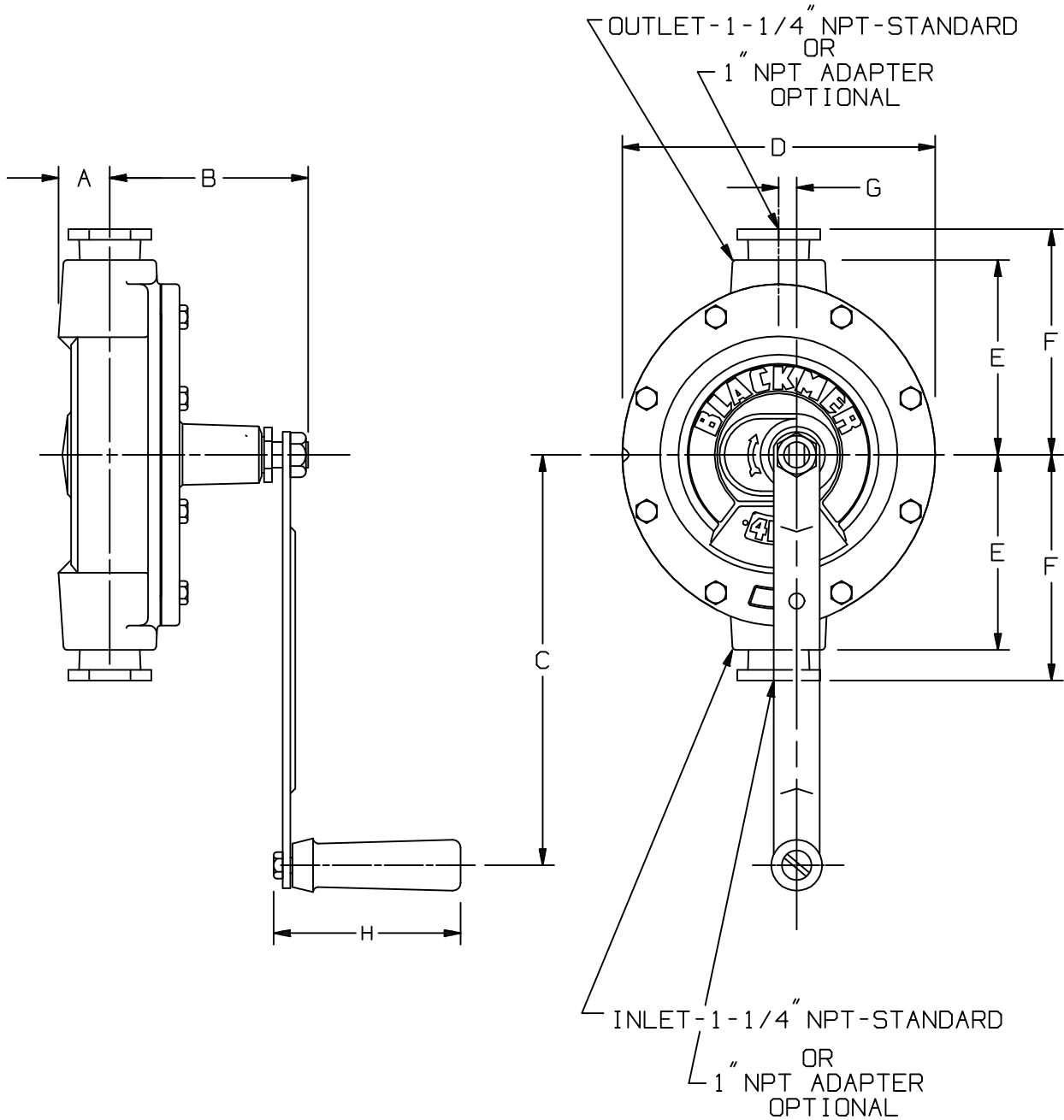


DIMENSIONS 301-102		TYPE	SIZE	UNIT STYLE	 www.blackmer.com
Section	301	414B	1.25	PA	
Effective	September 1989		1		
Replaces	New				

RIGHT HAND ROTATION



MODEL	UNIT	A	B	C	D	E	F	G	H	APPROX. WT.	
										LBS.	KG
PA 414B	IN	1-1/4	4-7/8	10	7-5/8	4-3/4	5-1/2	1/2	4-3/8	17	8
	MM	31.7	123.8	254	193.7	120.6	139.7	12.7	111.1		