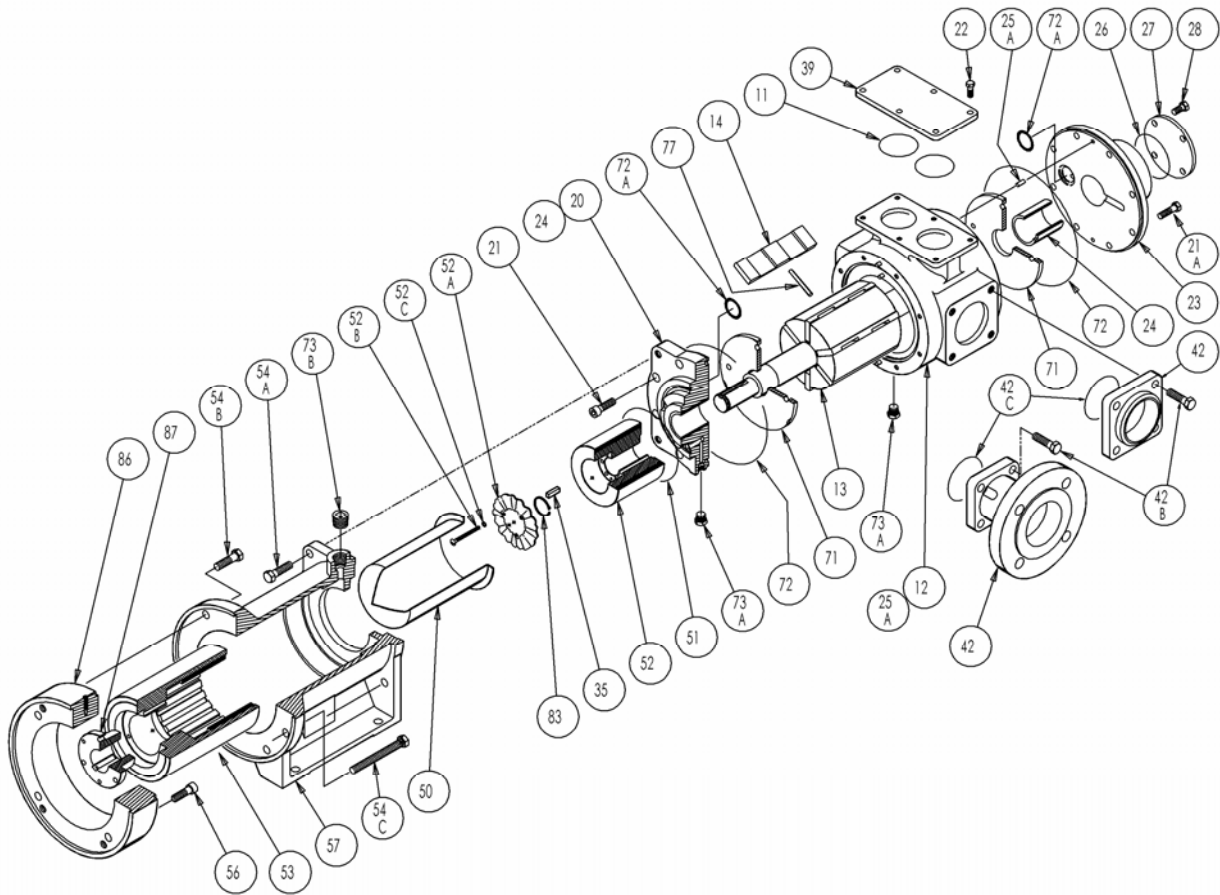


BLACKMER PARTS LIST

Discontinued Model: SMVP200B

Keep with Instructions 108-B00_0909 for Installation, Operation and Maintenance

Section 108
Effective June 2015
Replaces Aug 2007



| Ref. No. | Description | Parts per Pump | Part No. | Ref. No. | Description | Parts per Pump | Part No. |
|----------|--------------------------------|----------------|---------------------|----------|---|----------------|---------------------|
| 11 | O-Ring - Blanking Plate (PTFE) | 2 | 702078 | 52A | Impeller | 1 | 684502 |
| 12 | Cylinder | 1 | 024501 | 52B | Capscrews - Impeller | 3 | 920021 |
| 13 | Rotor & Shaft | 1 | ² 264500 | 52C | Lockwashers - Impeller | 3 | 909530 |
| 14 | Vane - Duravane | 6 | ¹ 094500 | 53 | Outer Magnet | 1 | See Back |
| | Vane - EC Laminate | | 094502 | 54A | Capscrews - Housing/Head | 4 | 920467 |
| 20 | Inboard Head & Bearing Asy. | 1 | 034500 | 54B | Capscrews - Housing/Adapter | 4 | 920535 |
| 21 | Capscrews - Inboard Head | 8 | 920340 | 54C | Jackscrews | 2 | 920599 |
| 21A | Capscrews - Outboard Head | 8 | 920365 | 56 | Capscrews - Adapter/Motor 254-256TC Frame | 4 | 920510 |
| 22 | Capscrews - Blanking Plate | 6 | 920335 | | Capscrews - Adapter/Motor 284-286TC Frame | | 920553 |
| 23 | Outboard Head & Bearing Asy. | 1 | 034501 | 57 | Magnet Housing | 1 | 684530 |
| 24 | Sleeve Bearing | 2 | ¹ 164500 | 71 | Disc - Chem Disc | 2 | ² 064500 |
| 25A | Dowel Pin | 6 | 930564 | 72 | O-Ring - Head (PTFE) | 2 | ¹ 702202 |
| 26 | O-Ring - Bearing Cover (PTFE) | 1 | ¹ 702078 | 72A | Inner O-Ring - Head (PTFE) | 2 | ¹ 702075 |
| 27 | Bearing Cover | 1 | 044500 | 73 | Gage Plug (1/4" NPT) | 2 | 908193 |
| 28 | Capscrews - Bearing Cover | 4 | 920335 | 73A | Drain Plug (SAE #6) w/ PTFE O-Ring | 2 | 908213 |
| 35 | Key - Shaft | 1 | ¹ 909168 | 73B | Plug (1/2" NPT) | 1 | 908217 |
| 39 | Blanking Plate | 1 | 494500 | 77 | Push Rod | 3 | ¹ 124500 |
| 42 | Flange - Weld | 0 - 2 | 652201 | 83 | Snap Ring | 1 | ¹ 903596 |
| | Flange - ANSI | | 654500 | 86 | Motor Adapter - 254-256TC Frame | 1 | 834501 |
| 42B | Capscrew - Flange | 0-8 | 920516 | | Motor Adapter - 284-286TC Frame | | 834502 |
| 42C | O-Ring - Flange (PTFE) | 0-2 | 702101 | 87 | Bushing - Outer Magnet | 1 | See Back |
| 50 | Containment Can | 1 | 684501 | — | Warning Label - Magnet Housing | 1 | 909504 |
| 51 | O-Ring - Containment Can | 1 | ¹ 702239 | — | Kit - Maintenance | — | 898942 |
| 52 | Inner Magnet | 1 | See Back | — | Kit - Rebuild | — | 899042 |

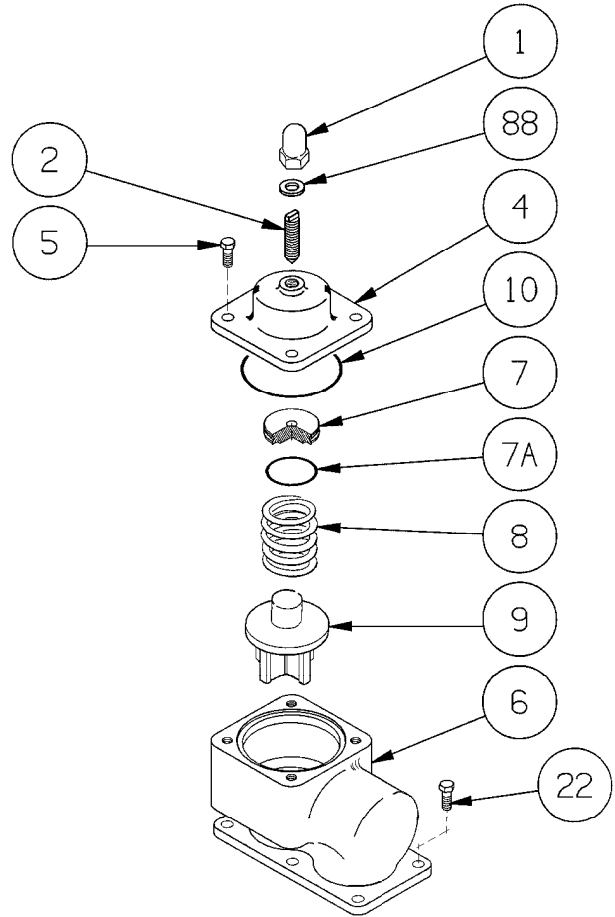
¹ Included in Maintenance Kit and Rebuild Kit

² Included in Rebuild Kit

EC = Extra Clearance

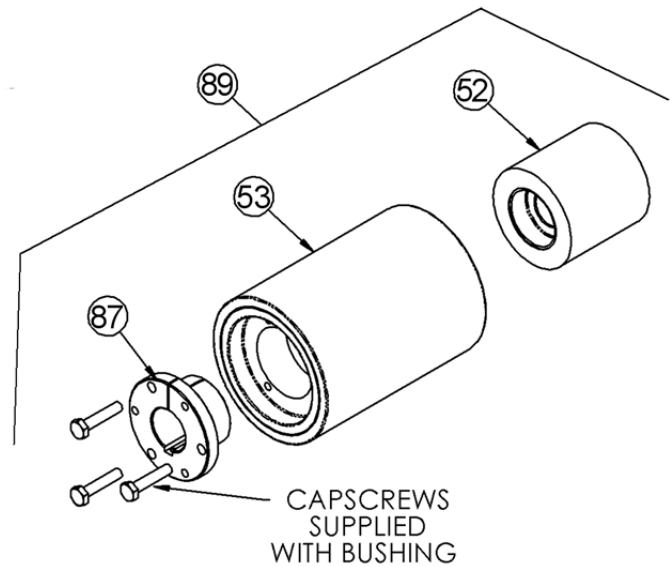
RELIEF VALVE - OPTIONAL

| Ref. No. | Part Name | Parts Per Pump | Part No. |
|----------|------------------------------|----------------|----------|
| 1 | Cap - Relief Valve (R/V) | 1 | 413151 |
| 2 | Adjusting Screw - R/V | 1 | 433101 |
| 4 | Cover - R/V | 1 | 414500 |
| 5 | Capscrews - R/V Cover | 4 | 920335 |
| 6 | Body - R/V | 1 | 404500 |
| 7 | Spring Guide - R/V | 1 | 424500 |
| 7A | O-Ring - Spring Guide (PTFE) | 1 | 702110 |
| 8 | Spring - R/V (35-75 psi) | 1 | 471807 |
| | Spring - R/V (76-125 psi) | | 471808 |
| 9 | Valve - R/V | 1 | 452201 |
| 10 | O-Ring - R/V Cover (PTFE) | 1 | 702080 |
| 22 | Capscrews - R/V Body | 6 | 920335 |
| 88 | Gasket - R/V Cap | 1 | 533101 |



MAGNET OPTIONS

| Ref. No. | Part Name | Parts Per Pump | Part No. |
|----------|---|----------------|----------|
| 52 | Inner Magnet - MC130 | 1 | * |
| 53 | Outer Magnet - MC130 | 1 | * |
| 87 | Bushing Outer Magnet - MC130 254TC-256TC Frame | 1 | 902460 |
| | Bushing Outer Magnet - MC130 284TC-286TC Frame | | 902461 |
| | Bushing Outer Magnet - MC130 MC280TC Motor Coupling Adaptor | | |
| 89 | Magnet Assy w/ Bushing- MC130 254TC-256TC Frame | 1 | 891573 |
| | Magnet Assy w/ Bushing- MC130 284TC-286TC Frame | | 891574 |
| | Magnet Assy w/ Bushing- MC130 MC280TC Motor Coupling Adaptor | | |



* Inner and outer magnet components are only available as a set (89).

For motor frame sizes larger than 280TC, use Blackmer Motor Coupling Adapter MCA280TC and a foot mounted (Non "C" face) motor.

