

BLACKMER PARTS LIST

PUMP MODELS: SMVP200B, **SMVP300B**

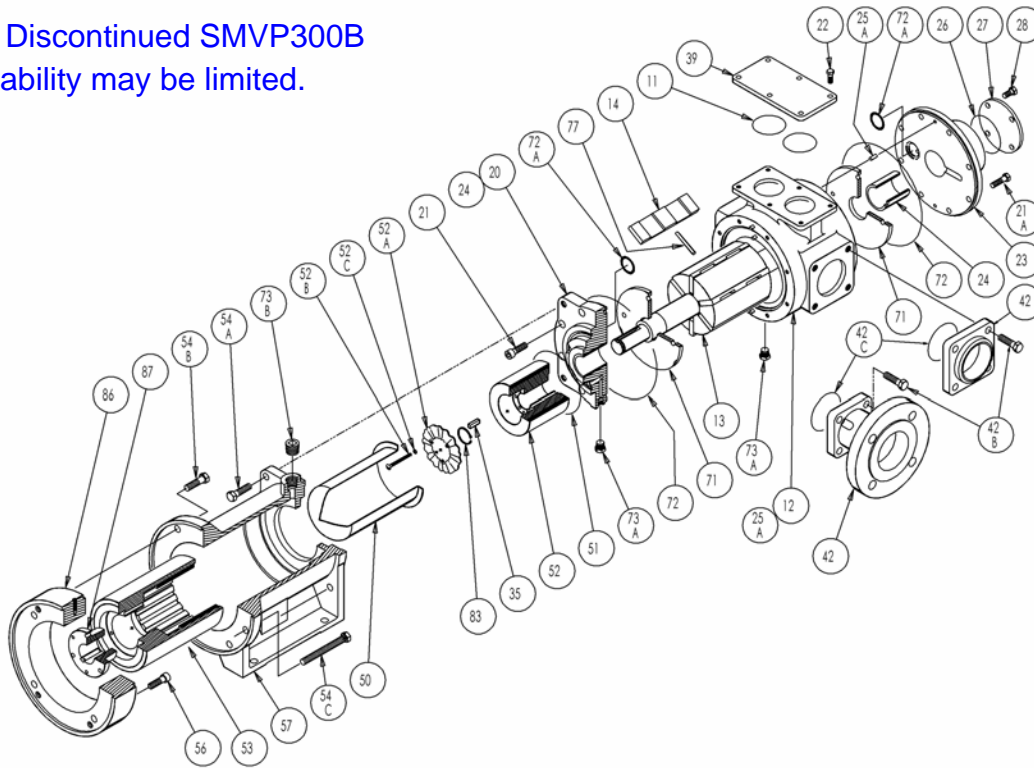
(See Instructions 108-B00 for Installation, Operation and Maintenance)

Discontinued Models: **SMVP200A, SMVP300A**

(See Instructions 185/UU for Installation, Operation and Maintenance)

Section 108
Effective April 2005
Replaces July 2002

Aug 2007: Discontinued SMVP300B
Parts availability may be limited.



Ref. No.	Description	Parts per Pump	200 Part No.	300 Part No.	Ref. No.	Description	Parts per Pump	200 Part No.	300 Part No.
11	O-Ring - Blanking Plate (PTFE)	2	702078	702078	52C	Lockwashers - Impeller	3	909530	909530
12	Cylinder	1	024501	024601	53	Outer Magnet	1	See Back	See Back
13	Rotor & Shaft	1	² 264500	² 264500	54A	Capscrews - Housing/Head	4	920467	920467
14	Vane - Duravane	6	¹ 094500	¹ 094500	54B	Capscrews - Housing/Adapter	4	920535	920535
	Vane - EC Laminate		094502	094502	54C	Jackscrews	2	920599	920599
20	Inboard Head & Bearing Asy.	1	034500	034500	56	Capscrews - Adapter/Motor 254-256TC Frame	4	920510	920510
21	Capscrews - Inboard Head	8	920340	920340		Capscrews - Adapter/Motor 284-286TC Frame		920553	920553
21A	Capscrews - Outboard Head	8	920365	920365	57	Magnet Housing	1	684530	684530
22	Capscrews - Blanking Plate	6	920335	920335	71	Disc - Chem Disc (Std.)	2	² 064500	² 064500
23	Outboard Head & Bearing Asy.	1	034501	034501	Disc - Carbon	064501		064501	
24	Sleeve Bearing	2	¹ 164500	¹ 164500	72	O-Ring - Head (PTFE)	2	¹ 702202	¹ 702202
25A	Dowel Pin	6	930564	930564	72A	Inner O-Ring - Head (PTFE)	2	¹ 702075	¹ 702075
26	O-Ring - Bearing Cover (PTFE)	1	¹ 702078	¹ 702078	73	Gage Plug (1/4" NPT)	2	908193	908193
27	Bearing Cover	1	044500	044500	73A	Drain Plug (SAE #6) w/ PTFE O-Ring	2	908213	908213
28	Capscrews - Bearing Cover	4	920335	920335		73B		Plug (1/2" NPT)	1
35	Key - Shaft	1	¹ 909168	¹ 909168	77	Push Rod	3	¹ 124500	¹ 124600
39	Blanking Plate	1	494500	494500	83	Snap Ring	1	¹ 903596	¹ 903596
42	Flange - Weld	0 - 2	652201	—	86	Motor Adapter - 254-256TC Frame	1	834501	834501
	Flange - ANSI		654500	654600		Motor Adapter - 284-286TC Frame		834502	834502
	Flange - DIN		654501	654601	87	Bushing - Outer Magnet	1	See Back	See Back
42B	Capscrew - Flange	0-8	920516	920682	—	Warning Label - Magnet Housing	1	909504	909504
42C	O-Ring - Flange (PTFE)	0-2	702101	702239	—	Kit - Maintenance	—	898942	898943
50	Containment Can	1	684501	684501	—	Kit - Rebuild	—	899042	899043
51	O-Ring - Containment Can	1	¹ 702239	¹ 702239					
52	Inner Magnet	1	See Back	See Back					
52A	Impeller	1	684502	684502					
52B	Capscrews - Impeller	3	920021	920021					

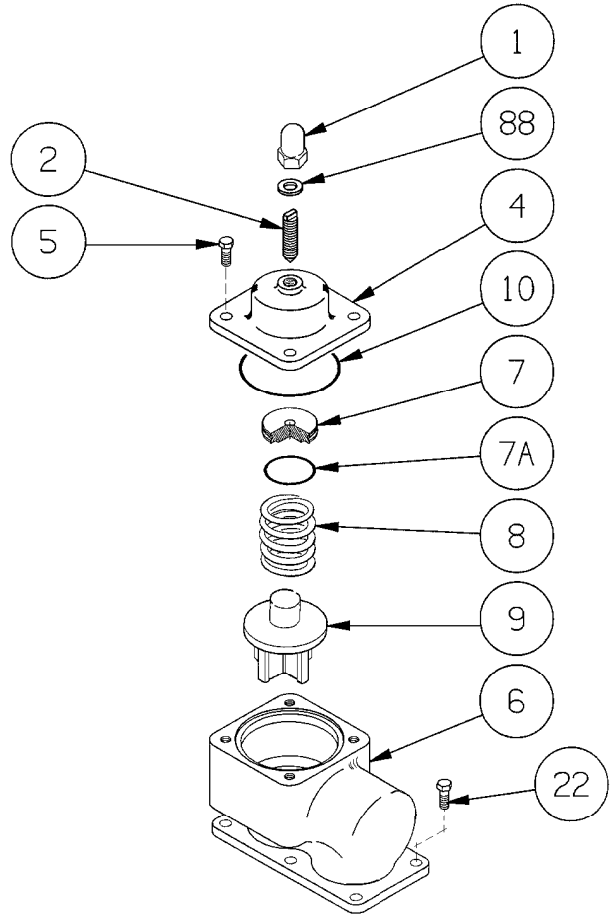
¹ Included in Maintenance Kit and Rebuild Kit

² Included in Rebuild Kit

EC = Extra Clearance

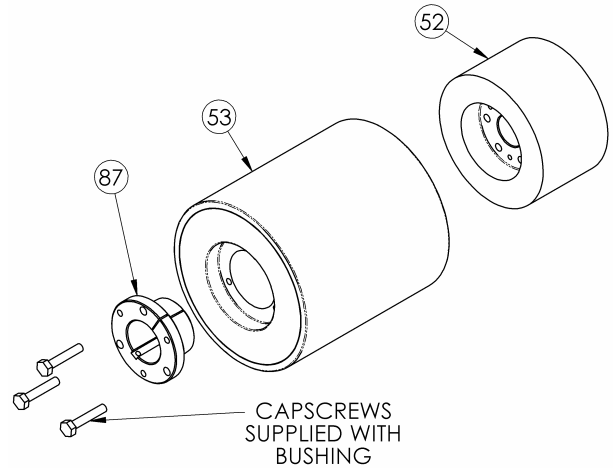
RELIEF VALVE - OPTIONAL

Ref. No.	Part Name	Parts Per Pump	Part No.
1	Cap - Relief Valve (R/V)	1	413151
2	Adjusting Screw - R/V	1	433101
4	Cover - R/V	1	414500
5	Capscrews - R/V Cover	4	920335
6	Body - R/V	1	404500
7	Spring Guide - R/V	1	424500
7A	O-Ring - Spring Guide (PTFE)	1	702110
8	Spring - R/V (35-75 psi)	1	471807
	Spring - R/V (76-125 psi)		471808
9	Valve - R/V	1	452201
10	O-Ring - R/V Cover (PTFE)	1	702080
22	Capscrews - R/V Body	6	920335
88	Gasket - R/V Cap	1	533101



MAGNET OPTIONS

Ref. No.	Part Name	Parts Per Pump	Part No.
52	Inner Magnet (MC130)	1	684512
53	Outer Magnet (MC130)	1	684522
	254TC-256TC Frame 284TC-286TC Frame		
87	Bushing Outer Magnet (MC130) 254TC-256TC Frame	1	902460
	Bushing Outer Magnet (MC130) 284TC-286TC Frame		
	Bushing Outer Magnet (MC130) MC280TC Motor Coupling Adaptor		902461



* For motor frame sizes larger than 280TC, use Blackmer Motor Coupling Adapter MCA280TC and a foot mounted (Non "C" face) motor.

Discontinued Models SMVP200A & SMVP300A used different magnets and lockcollars in place of ref. (87) bushing. Replacement of either the Inner Magnet (52), Outer Magnet (53), or Lockcollar (87) on these models will require the replacement of all three parts.

