

BLACKMER PUMP PARTS LIST

MODELS: XSF1-N, XSB1-N, XSF1P-N, XSB1P-N

(See Instructions 185/A for Operation and Maintenance)

Discontinued Models. Parts availability may be limited.

960201

PARTS LIST NO. 185/A1

Section

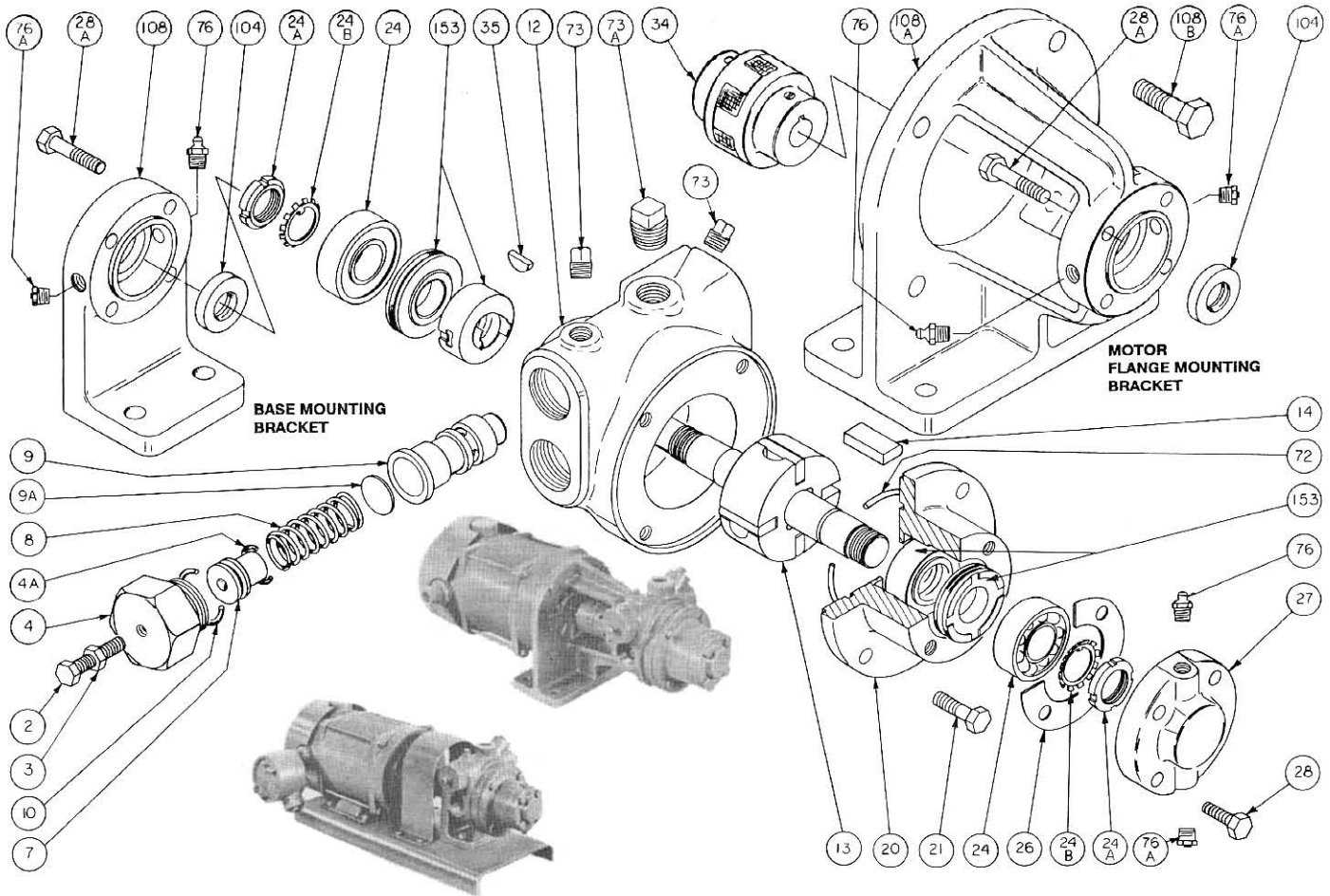
100

Effective

April 1990

Replaces

February 1982



REF. NO.	PART NAME	PARTS PER PUMP	PART NO.	REF. NO.	PART NAME	PARTS PER PUMP	PART NO.
2	Adjusting Screw - Relief Valve (R/V)	1	432901	27	Bearing Cover	1	042901
3	Locknut - Adjusting Screw	1	922811	28	Capscrews - Bearing Cover	4	920203
4	Cover - R/V	1	412901	28A	Mounting Screws	4	920230
4A	O-Ring - Spring Guide	1	711940#	34	Coupling Half - Pump (1, 1½, 2 HP)	1	906139
7	Spring Guide - R/V	1	422901		Coupling Half - Pump (3 HP)		906150
8	Spring - R/V (66 - 125 psi) (Std.)	1	472901		Coupling Half - Motor (1, 1½ HP)		906141
	Spring - R/V (35 - 65 psi)		472903		Coupling Half - Motor (2 HP)		906143
9	Valve - R/V	1	452901		Coupling Half - Motor (3 HP)		906146
9A	Disc - R/V*	1	442901		Coupling Spider (1, 1½, 2 HP)		906154
10	O-Ring - R/V Cover	1	701965#		Coupling Spider (3 HP)		906155
12	Cylinder - XSF1, XSB1	1	022902	35	Key - Shaft	1	909126
	Cylinder - XSF1P, XSB1P		022911	72	O-Ring - Head	1	711941#
13	Rotor & Shaft Assembly (Includes Ref. Nos. 24A & 24B)	1	262901	73	Gage Plug (¼")	2	908195
14	Vane - Duravane (Std.)	4	092912	73A	Gage Plug (½")	1	908215
	Vane - Laminate		092909	76	Grease Fitting	2	317815
	Vane - Bronze		092902	76A	Grease Relief Fitting	2	701992
20	Head	1	032902	104	Grease Seal	1	331934#
21	Capscrews - Head	4	920178	108	Bracket - XSB	1	832901
24	Ball Bearing	2	903405	108A	Bracket - XSF	1	832905
24A	Locknut - Bearing	2	903531	108B	Capscrews - Bracket	4	920331
24B	Lockwasher - Bearing	2	903532		Gasket Repair Kit		890400
26	Gasket - Bearing Cover	1	382901#				

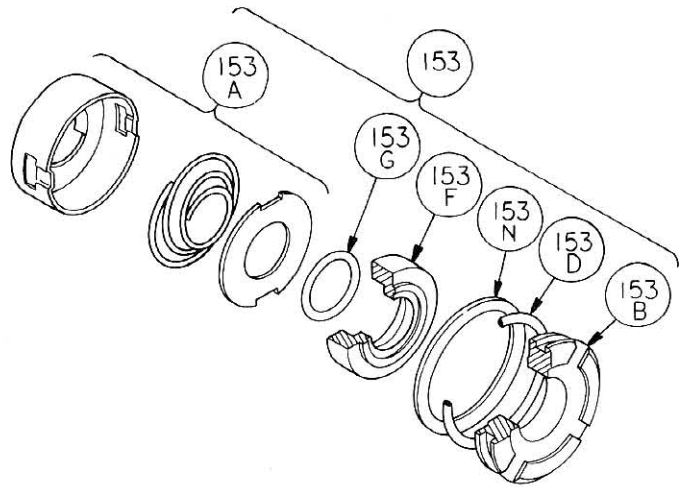
Parts Included in Gasket Repair Kit.

* The R/V Disc is not a standard part on these models.

PARTS LIST NO. 185/A2

MECHANICAL SEAL - STANDARD (XS MODELS)

REF. NO.	PART NAME	PARTS PER PUMP	PART NO.
153	Mechanical Seal Assembly	2	332923
153A	Jacket Assembly	2	332922
153B	Stationary Seat (Hardened Steel)	2	332901
153D	O-Ring - Stationary (Buna-N)	2	711916
153F	Seal Face & Ring Assembly (Carbon & Teflon)	2	332900
153G	Seal Ring - Rotating (Teflon)	-	**
153N	Seal Backup Ring (Steel)	2	332906



MECHANICAL SEAL - OPTIONAL (XS MODELS)

REF. NO.	PART NAME	PARTS PER PUMP	PART NO.
153	Mechanical Seal Assembly	2	332921
153A	Jacket Assembly	2	332922
153B	Stationary Seat (Hardened Steel)	2	332901
153D	O-Ring - Stationary (Viton)	2	711908
153F	Seal Face (Carbon)	2	332902
153G	O-Ring - Rotating (Viton)	2	711942
153N	Seal Backup Ring (Steel)	2	332906

MECHANICAL SEAL - OPTIONAL (XS MODELS)

REF. NO.	PART NAME	PARTS PER PUMP	PART NO.
153	Mechanical Seal Assembly	2	332926
153A	Jacket Assembly	2	332922
153B	Stationary Seat (Stainless Steel)	2	332927
153D	O-Ring - Stationary (Viton)	2	711908
153F	Seal Face (Carbon)	2	332902
153G	O-Ring - Rotating (Viton)	2	711942
153N	Seal Backup Ring (Steel)	2	332906

MECHANICAL SEAL - OPTIONAL (XS MODELS)

REF. NO.	PART NAME	PARTS PER PUMP	PART NO.
153	Mechanical Seal Assembly	2	332925
153A	Jacket Assembly	2	332922
153B	Stationary Seat (Stainless Steel)	2	332927
153D	O-Ring - Stationary (Buna-N)	2	711916
153F	Seal Face & Ring Assembly (Carbon & Teflon)	2	332900
153G	Seal Ring - Rotating (Teflon)	-	**
153N	Seal Backup Ring (Steel)	2	332906

MECHANICAL SEAL - OPTIONAL (XS MODELS)

REF. NO.	PART NAME	PARTS PER PUMP	PART NO.
153	Mechanical Seal Assembly	2	332919
153A	Jacket Assembly	2	332922
153B	Stationary Seat (Hardened Steel)	2	332901
153D	O-Ring - Stationary (Buna-N)	2	711916
153F	Seal Face (Carbon)	2	332902
153G	O-Ring - Rotating (Buna-N)	2	711939
153N	Seal Backup Ring (Steel)	2	332906

MECHANICAL SEAL - OPTIONAL (XS MODELS)

REF. NO.	PART NAME	PARTS PER PUMP	PART NO.
153	Mechanical Seal Assembly	2	332924
153A	Jacket Assembly	2	332922
153B	Stationary Seat (Hardened Steel)	2	332901
153D	O-Ring - Stationary (Viton)	2	711908
153F	Seal Face & Ring Assembly (Carbon & Teflon)	2	332900
153G	Seal Ring - Rotating (Teflon)	-	**
153N	Seal Backup Ring (Steel)	2	332906

MECHANICAL SEAL - STANDARD (Discontinued X MODELS)

REF. NO.	PART NAME	PARTS PER PUMP	PART NO.
153	Mechanical Seal Assembly	2	332920
153A	Jacket Assembly	2	332922
153B	Stationary Seat (Hardened Steel)	2	332901
153D	O-Ring - Stationary (Buna-N)	2	711916
153F	Seal Face (Carbon)	2	332902
153G	Seal Ring - Rotating (Buna-N)	2	711939

**Teflon Seal Ring is included with Seal Face & Ring Assembly.