

# BLACKMER PUMP PARTS LIST

960219

**PARTS LIST NO. 185/C15**

**MODELS: X4A, XS4A, X4A-N, XS4A-N**

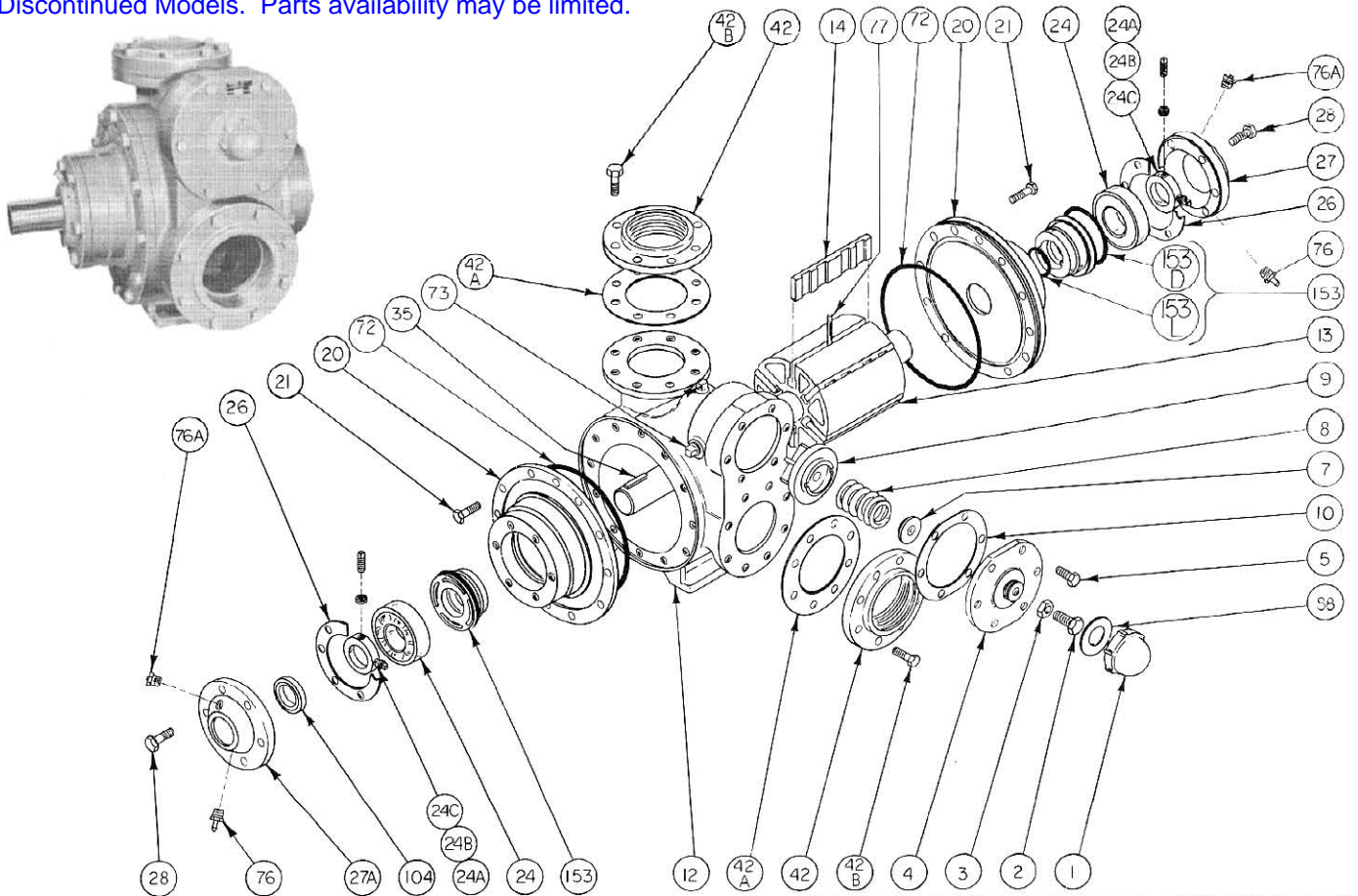
(See Instructions 185/C for Operation and Maintenance)

Section 100

Effective November 1988

Replaces December 1983

Discontinued Models. Parts availability may be limited.



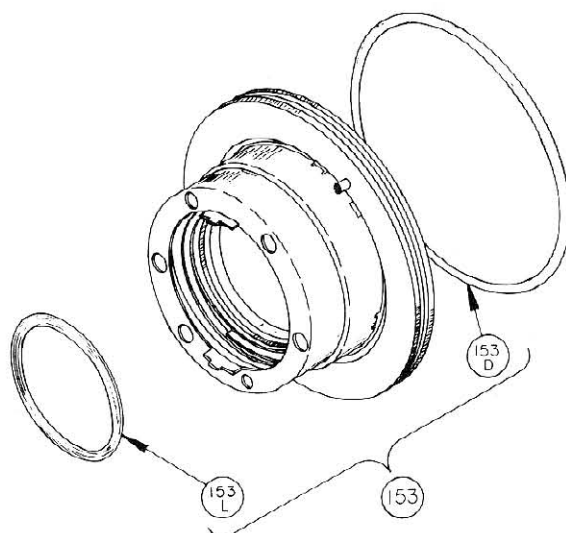
REF. NO.	PART NAME	PARTS PER PUMP	PART NO.	REF. NO.	PART NAME	PARTS PER PUMP	PART NO.
1	Cap - Relief Valve (R/V)	1	413952	20	Head (X4A, XS4A)	2	031909
2	Adjusting Screw - R/V	1	436307		Head (X4A-N, XS4A-N)		031908
3	Locknut - Adjusting Screw	1	436355	21	Capscrews - Head	24	920510
4	Cover - R/V (X4A, XS4A)	1	411903	24	Ball Bearing	2	903182
	Cover - R/V (X4A-N, XS4A-N)		411904	24A	Lock Collar - Bearing	2	721937
5	Capscrews - R/V Cover	6	920351	24B	Setscrew	4	922104
7	Spring Guide - R/V	1	426355	24C	Nut	4	922923
8	Spring - R/V (35-50 psi)	1	476303	26	Gasket - Bearing Cover	2	386950#
	Spring - R/V (51-75 psi)(Std.)		476310	27	Bearing Cover - Outboard	1	041905
	Spring - R/V (76-125 psi)		476305	27A	Bearing Cover - Inboard	1	041903
	SS Spring - R/V (35-50 psi)		476320	28	Capscrew - Bearing Cover	12	920491
	SS Spring - R/V (51-75 psi)		476314	35	Key - Shaft	1	909135
	SS Spring - R/V (76-125 psi)		476321	42	Flange - 4" NPT	2	651900
9	Valve - R/V	1	456315		Flange - 4" Weld		651905
	Valve - R/V (Nickel Plated)		456300	42A	Gasket - Flange	2	381903#
10	Gasket - R/V Cover	1	531903#	42B	Capscrew - Flange	12	920532
12	Cylinder (X4A, XS4A)	1	021905	72	O-Ring - Head	2	702023#
	Cylinder (X4A-N, XS4A-N)		021906	73	Gage Plug	2	908195
13	Rotor and Shaft	1	261950	76	Grease Fitting	2	317815
	EC Rotor and Shaft		261944	76A	Grease Relief Fitting	2	701992
14	Vane - Laminate (Std.)	6	091942	77	Push Rod	3	121905
	Vane - EC Laminate		091931	88	Gasket - R/V Cap	1	533908#
	Vane - Iron		091950	104	Grease Seal	1	904190#
	Vane - EC Iron		091952		Gasket Repair Kit		891915
	Vane - Bronze		091951				
	Vane - EC Bronze		091953				

# Parts Included in Gasket Repair Kit.

**PARTS LIST NO. 185/C16**

**X4, X4-N - MECHANICAL SEAL - STANDARD**

REF. NO.	PART NAME	PARTS PER PUMP	PART NO.
153	Mechanical Seal Complete, Cast Iron Stationary Seat, Carbon Seal Face, Buna-N O-Rings.	2	336958
153D	O-Ring - Stationary (Buna-N)	2	701945
153L	O-Ring - Rotating (Buna-N)	2	701933



**X4, X4-N - MECHANICAL SEAL - OPTIONAL**

REF. NO.	PART NAME	PARTS PER PUMP	PART NO.
153	Mechanical Seal Complete, Cast Iron Stationary Seat, Bronze Seal Face, Buna-N O-Rings.	2	336961
153D	O-Ring - Stationary (Buna-N)	2	701945
153L	O-Ring - Rotating (Buna-N)	2	701933

**XS4, XS4-N - MECHANICAL SEAL - OPTIONAL**

REF. NO.	PART NAME	PARTS PER PUMP	PART NO.
153	Mechanical Seal Complete, Cast Iron Stationary Seat, Carbon Seal Face, Viton O-Rings.	2	336982
153D	O-Ring - Stationary (Viton)	2	711932
153L	O-Ring - Rotating (Viton)	2	701967

**XS4, XS4-N - MECHANICAL SEAL - STANDARD**

REF. NO.	PART NAME	PARTS PER PUMP	PART NO.
153	Mechanical Seal Complete, Cast Iron Stationary Seat, Buna-N O-Ring, Carbon Seal Face with Teflon Seal Ring.	2	336930
153D	O-Ring - Stationary (Buna-N)	2	701945
153L	Seal Ring - Rotating (Teflon)	2	**

**XS4, XS4-N - MECHANICAL SEAL - OPTIONAL**

REF. NO.	PART NAME	PARTS PER PUMP	PART NO.
153	Mechanical Seal Complete, Cast Iron Stationary Seat, Bronze Seal Face, Viton O-Rings.	2	336984
153D	O-Ring - Stationary (Viton)	2	711932
153L	O-Ring - Rotating (Viton)	2	701967

**XS4, XS4-N - MECHANICAL SEAL - OPTIONAL**

REF. NO.	PART NAME	PARTS PER PUMP	PART NO.
153	Mechanical Seal Complete, SS Stationary Seat, Buna-N O-Ring, Carbon Seal Face with Teflon Seal Ring.	2	331965
153D	O-Ring - Stationary (Buna-N)	2	701945
153L	Seal Ring - Rotating (Teflon)	2	**

**XS4, XS4-N - MECHANICAL SEAL - OPTIONAL**

REF. NO.	PART NAME	PARTS PER PUMP	PART NO.
153	Mechanical Seal Complete, Cast Iron Stationary Seat, Viton O-Ring, Carbon Seal Face with Teflon Seal Ring.	2	336937
153D	O-Ring - Stationary (Viton)	2	711932
153L	Seal Ring - Rotating (Teflon)	2	**

**XS4, XS4-N - MECHANICAL SEAL - OPTIONAL**

REF. NO.	PART NAME	PARTS PER PUMP	PART NO.
153	Mechanical Seal Complete, SS Stationary Seat, Carbon Seal Face, Viton O-Rings.	2	331967
153D	O-Ring - Stationary (Viton)	2	711932
153L	O-Ring - Rotating (Viton)	2	701967

**XS4, XS4-N - MECHANICAL SEAL - OPTIONAL**

REF. NO.	PART NAME	PARTS PER PUMP	PART NO.
153	Mechanical Seal Complete, Stainless Steel Stationary Seat, Viton O-Ring, Carbon Seal Face with Teflon Seal Ring.	2	331901
153D	O-Ring - Stationary (Viton)	2	711932
153L	Seal Ring - Rotating (Teflon)	2	**

\*\* Teflon Seal Ring is not available as a separate part.