

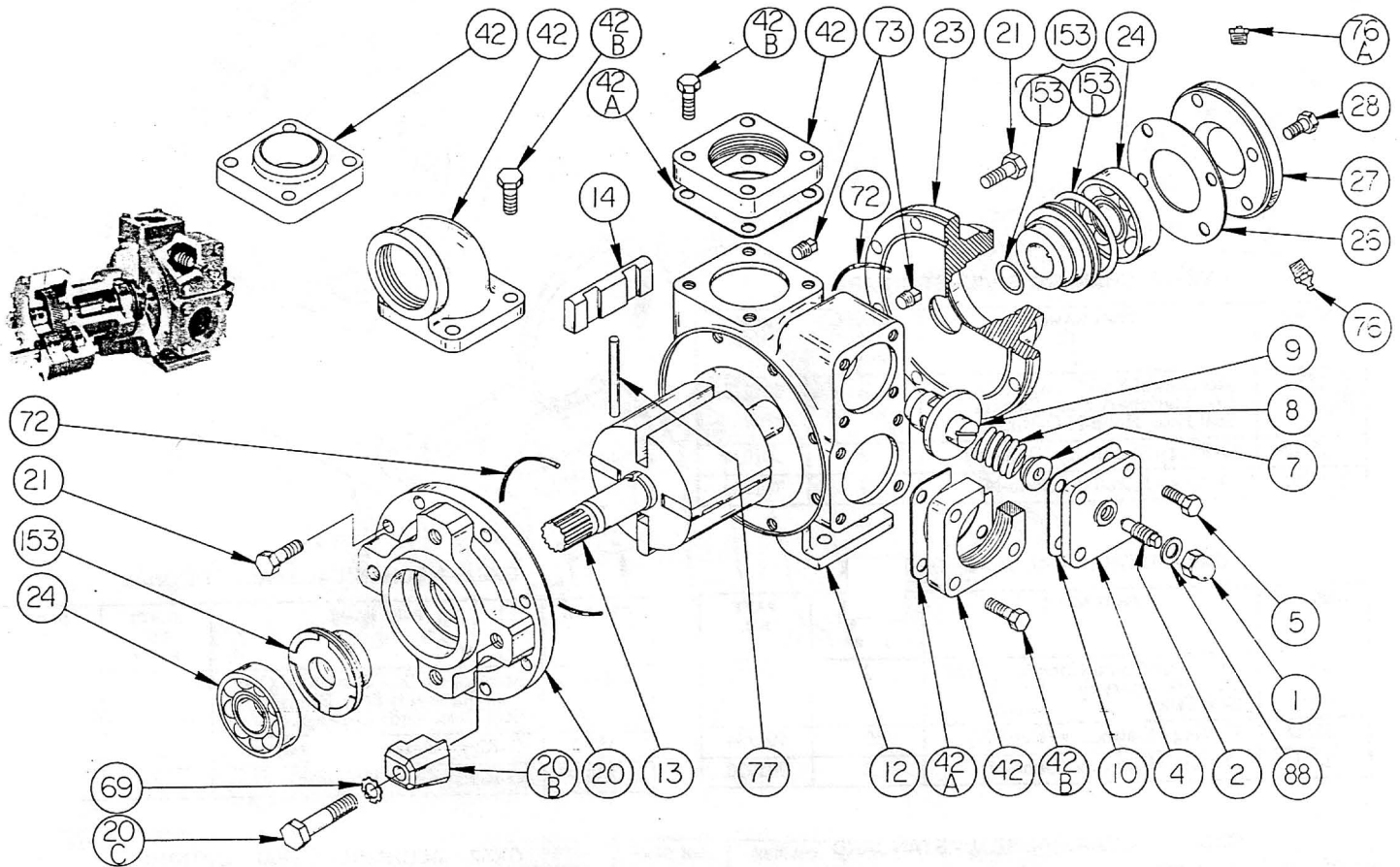
BLACKMER PUMP PARTS LIST

MODELS: GX2, GXS2

(See Instructions 185/C for Operation and Maintenance)

960212
PARTS LIST NO. 185/C1

Section Effective Replaces | 100 November 1988 February 1970



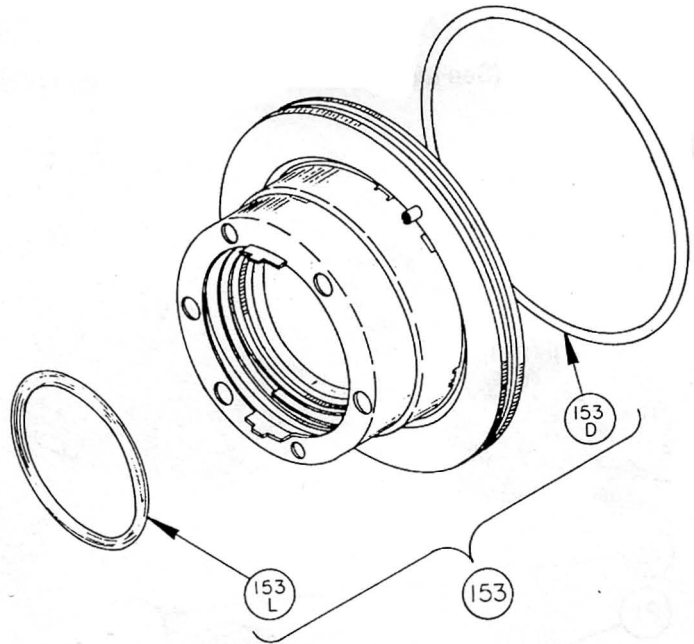
REF. NO.	PART NAME	PARTS PER PUMP	PART NO.	REF. NO.	PART NAME	PARTS PER PUMP	PART NO.
1	Cap - Relief Valve R/V	1	411452	20A	Clamp	4	834001
2	Adjusting Screw - R/V	1	431401	20C	Capscrews - Clamp	4	920547
4	Cover - R/V	1	411401	21	Capscrews - Head	16	920331
5	Capscrew - R/V Cover	4	920316	23	Head - Outboard	1	031425
7	Spring Guide - R/V	1	423955	24	Ball Bearing	2	*903158
8	Spring - R/V (25-35 psi)	1	471412	26	Gasket - Bearing Cover	1	*383940#
	Spring - R/V (36-50 psi)		471415	27	Bearing Cover	1	041433
	Spring - R/V (51-75 psi) (Std.)		*471420	28	Capscrews - Bearing Cover	4	920285
	Spring - R/V (76-110 psi)		471425	42	Flange - 1 1/2" NPT	1-2	651412
	Spring - R/V (111-125 psi)		471428		Flange - 2" NPT		651411
	SS Spring - R/V (36-50 psi)(GXS)		471417		Flange - 2" Weld		654406
	SS Spring - R/V (51-75 psi)(GXS)		471418		Flanged Elbow - 2" NPT		651415
	SS Spring - R/V (76-110 psi)(GXS)		471427	42A	Gasket - Flange	2	*381405#
SS Spring - R/V (111-125 psi)(GXS)	471429	42B	Capscrew - NPT/Weld Flange	4-8	920351		
9	Valve - R/V	1	*451417		Capscrew - Flanged Elbow		920331
10	Gasket - R/V Cover	1	*531403#	69	Lockwasher - Clamp	4	909630
12	Cylinder	1	021403	72	O-Ring - Head (Buna-N)(Std.)	2	*701947#
13	Rotor & Shaft	1	221453		O-Ring - Head (Viton)		701914
14	Vane - Duravane (Std.)	4	*091419	73	Gage Plug	2	908195
	Vane - Bronze		093922	76	Grease Fitting	1	317815
	Vane - EC Bronze		093924	76A	Grease Relief Fitting	1	701992
	Vane - Cast Iron		093921	77	Push Rod	2	*123905
	Vane - EC Cast Iron		093923	88	Gasket - R/V Cap	1	*701981#
	Vane - Laminate		091427		Gasket Repair Kit		891455
	Vane - EC Laminate		091429		Pump Repair Kit GX(S)		871171
20	Head - Inboard	1	031427				

* Parts Included in Pump Repair Kit.
Parts Included in Gasket Repair Kit.

MECHANICAL SEAL

GX2 - MECHANICAL SEAL - STANDARD

REF. NO.	PART NAME	PARTS PER PUMP	PART NO.
153	Mechanical Seal Complete, Cast Iron Stationary Seat, Carbon Seal Face, Buna-N O-Rings.	2	331415
153D	O-Ring - Stationary (Buna-N)	2	701934
153L	O-Ring - Rotating (Buna-N)	2	701920



GX2 - MECHANICAL SEAL - OPTIONAL

REF. NO.	PART NAME	PARTS PER PUMP	PART NO.
153	Mechanical Seal Complete, Cast Iron Stationary Seat, Bronze Seal Face, Buna-N O-Rings.	2	331411
153D	O-Ring - Stationary (Buna-N)	2	701934
153L	O-Ring - Rotating (Buna-N)	2	701920

GXS2 - MECHANICAL SEAL - OPTIONAL

REF. NO.	PART NAME	PARTS PER PUMP	PART NO.
153	Mechanical Seal Complete, Cast Iron Stationary Seat, Bronze Seal Face, Viton O-Rings.	2	331457
153D	O-Ring - Stationary (Viton)	2	701921
153L	O-Ring - Rotating (Viton)	2	701979

GXS2 - MECHANICAL SEAL - STANDARD

REF. NO.	PART NAME	PARTS PER PUMP	PART NO.
153	Mechanical Seal Complete, Cast Iron Stationary Seat, Buna-N O-Ring, Carbon Seal Face with Teflon Seal Ring.	2	*331430
153D	O-Ring - Stationary (Buna-N)	2	701934
153L	Seal Ring - Rotating (Teflon)	2	**

GXS2 - MECHANICAL SEAL - OPTIONAL

REF. NO.	PART NAME	PARTS PER PUMP	PART NO.
153	Mechanical Seal Complete, SS Stationary Seat, Carbon Seal Face, Viton O-Rings.	2	331454
153D	O-Ring - Stationary (Viton)	2	701921
153L	O-Ring - Rotating (Viton)	2	701979

GXS2 - MECHANICAL SEAL - OPTIONAL

REF. NO.	PART NAME	PARTS PER PUMP	PART NO.
153	Mechanical Seal Complete, Cast Iron Stationary Seat, Viton O-Ring, Carbon Seal Face with Teflon Seal Ring.	2	331423
153D	O-Ring - Stationary (Buna-N)	2	701921
153L	Seal Ring - Rotating (Teflon)	2	**

GXS2 - MECHANICAL SEAL - OPTIONAL

REF. NO.	PART NAME	PARTS PER PUMP	PART NO.
153	Mechanical Seal Complete, SS Stationary Seat, Viton O-Ring, Carbon Seal Face with Teflon Seal Ring.	2	331401
153D	O-Ring - Stationary (Viton)	2	701921
153L	Seal Ring - Rotating (Teflon)	2	**

GXS2 - MECHANICAL SEAL - OPTIONAL

REF. NO.	PART NAME	PARTS PER PUMP	PART NO.
153	Mechanical Seal Complete, Cast Iron Stationary Seat, Carbon Seal Face with Viton O-Rings.	2	331455
153D	O-Ring - Stationary (Viton)	2	701921
153L	O-Ring - Rotating (Viton)	2	701979

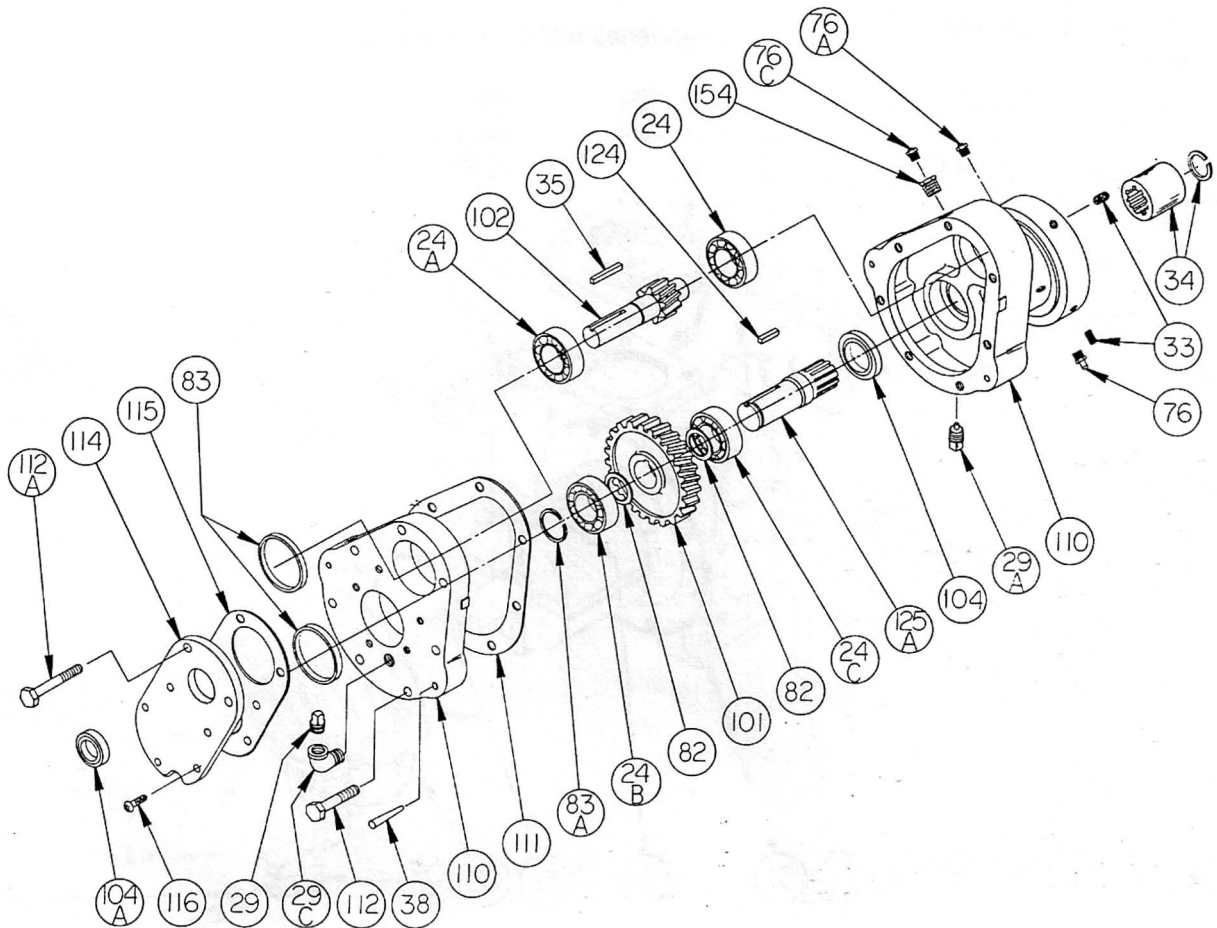
GXS2 - MECHANICAL SEAL - OPTIONAL

REF. NO.	PART NAME	PARTS PER PUMP	PART NO.
153	Mechanical Seal Complete, SS Stationary Seat, Buna-N O-Ring, Carbon Seal Face with Teflon Seal Ring.	2	331450
153D	O-Ring - Stationary (Viton)	2	701934
153L	Seal Ring - Rotating (Teflon)	2	**

* Parts Included in Pump Repair Kit.

** Teflon Seal Rings are not available as a separate part.

HELICAL GEAR REDUCER MODEL: HRO



REF. NO.	PART NAME	PARTS PER UNIT	PART NO.	REF. NO.	PART NAME	PARTS PER UNIT	PART NO.
24	Bearing	1	903142	83A	Retaining Ring	2	903603
24A	Bearing - Shielded	1	903143	101	Gear	1	See Table
24B	Bearing	1	903116	102	Pinion & Shaft	1	See Table
24C	Bearing - Shielded	1	903117	104	Oil Seal	1	331925
29	Oil Level Plug	1	908185	104A	Oil Seal	1	331906
29A	Drain Plug	1	908105	110	Body & Cover Assembly (Includes Ref. Nos. 38, 111, & 112)	1	894041
29C	1/8" Street Elbow	1	908561	111	Gasket - Cover	1	814040
33	Set Screw	2	922190	112	Capscrews - Cover	5	920230
34	Splined Coupling (Includes Snap Ring)	1	906072	112A	Capscrews - Cover	2	920241
35	Key - Pinion	1	909166	114	Closure Plate	1	824041
38	Taper Pin	2	930095	115	Gasket - Closure Plate	1	814041
76	Grease Fitting	1	317815	116	Capscrews - Closure Plate	5	922765
76A	Grease Relief & Vent Fitting	1	701992	124	Key - Splined Shaft	1	909164
76C	Fill & Vent Plug	1	701988	125A	Splined Shaft (GX Models)	1	704050
82	Spacer Ring	2	374041	154	Bushing	1	908794
83	Retaining Ring	2	374043				

GEAR AND PINION SELECTION TABLE

RATIO	RPM	102 PINION NO.	QTY	101 GEAR NO.	QTY
2.24	780	915118	1	919918	1
2.72	640	915116	1	919916	1
3.32	520	915117	1	919917	1
4.10	420	915120	1	919920	1
4.94	350	915121	1	919921	1

NOTE: Speed is based on 1750 rpm input.

blackmer pump / A  **RESOURCES COMPANY**

1809 Century Avenue, Grand Rapids, Michigan 49509, U.S.A. • (616) 241-1611 • Telex: 4320148 • Fax: (616) 241-3752