

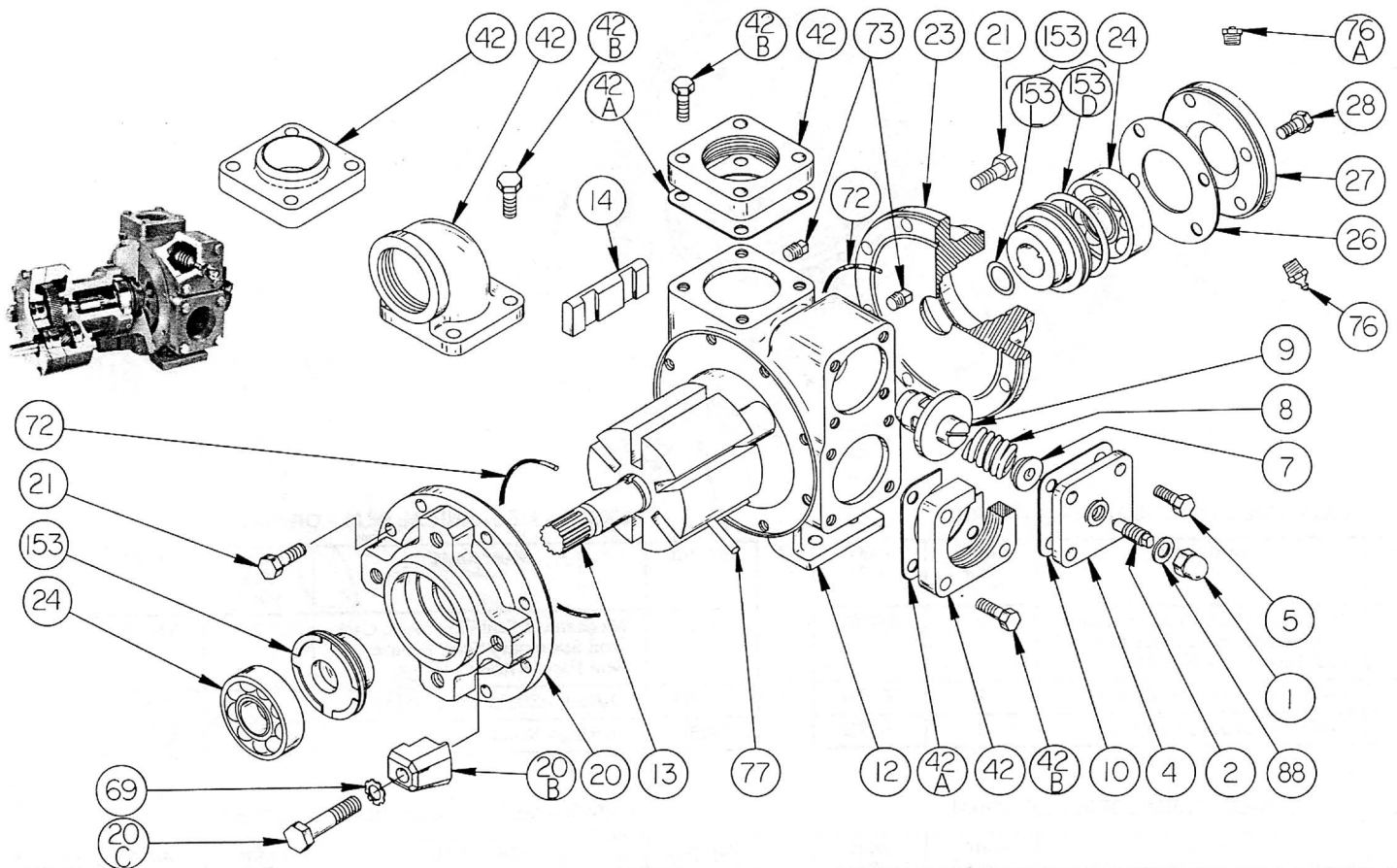
# BLACKMER PUMP PARTS LIST

## MODELS: GX2½A, GXS2½A

(See Instructions 185/C for Operation and Maintenance)

960213  
PARTS LIST NO. 185/C3

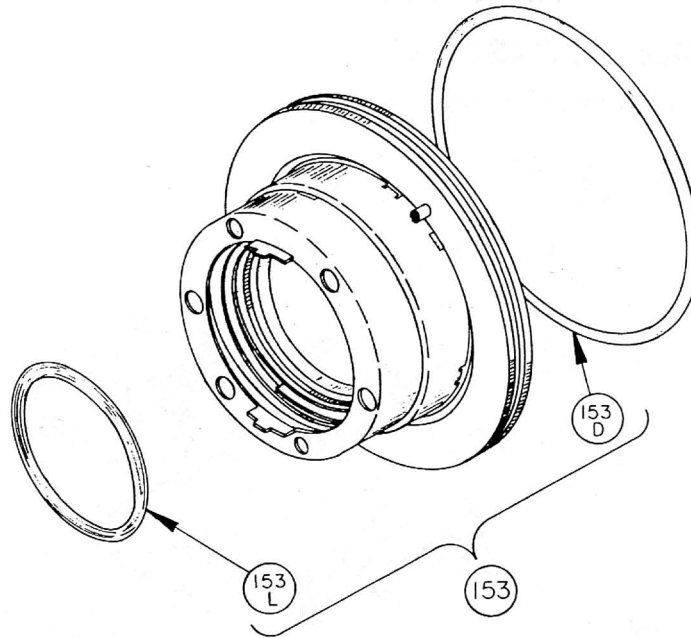
Section 100  
Effective May 1992  
Replaces January 1991



REF. NO.	PART NAME	PARTS PER PUMP	PART NO.	REF. NO.	PART NAME	PARTS PER PUMP	PART NO.
1	Cap - Relief Valve (R/V)	1	411452	20C	Capscrews - Clamp	4	920547
2	Adjusting Screw - R/V	1	431401	21	Capscrews - Head	16	920331
4	R/V Cover	1	411607	23	Head - Outboard	1	031425
5	Capscrew - R/V Cover	4	920316	24	Ball Bearing	2	*903156
7	Spring Guide - R/V	1	423955	26	Gasket - Bearing Cover	1	*383940#
8	Spring - R/V (35-40 psi)	1	471606	27	Bearing Cover	1	041433
	Spring - R/V (41-50 psi)		471608	28	Capscrews - Bearing Cover	4	920285
	Spring - R/V (51-110 psi) (Std.)		*471631	42	Flange - 2" NPT	1 - 2	651603
	Spring - R/V (111-125 psi)		471614		Flange - 2½" NPT		651611
	SS Spring - R/V (41-50 psi)(GXS)		471610		Flange - 2½" Weld		651608
	SS Spring - R/V (51-110 psi)(GXS)		471632		Flanged Elbow - 2" NPT		651607
SS Spring - R/V (111-125 psi)(GXS)	471615	Flanged Elbow - 2½"	651609				
9	Valve - R/V (35-50 psi)	1	451609	42A	Gasket - Flange	2	*381403#
	Valve - R/V (51-125 psi)(Std.)		*451623	42B	Capscrew - 2" NPT Flange, 2" NPT Elbow, 2½" NPT Elbow	4 - 8	920471
	Valve - R/V (Nickel Plated)		451624	Capscrew - 2½" NPT Flange	920532		
10	Gasket - R/V Cover	1	*531603#		Capscrew - 2½" Weld Flange		920491
12	Cylinder	1	021605	69	Lockwasher - Clamp	4	909630
14	Rotor & Shaft	1	221650		O-Ring - Head (Buna-N)(Std.)	2	*701947#
	Vane - Duravane (Std.)	6	*091619	72	O-Ring - Head (Viton)		701914
	Vane - Bronze		091622	O-Ring - Head (Teflon)	702091		
	Vane - EC Bronze		091624	73	Gage Plug	2	908195
	Vane - Cast Iron		091623	76	Grease Fitting	1	317815
	Vane - EC Cast Iron		091621	76A	Grease Relief Fitting	1	701992
	Vane - Laminate		091629	77	Push Rod	3	*121607
Vane - EC Laminate	091627		88	Gasket - R/V Cap	1	*701981#	
20	Head - Inboard	1	031427		Gasket Repair Kit		891455
20B	Clamp	4	834001		Pump Repair Kit GX(S)		871172

\* Parts Included in Pump Repair Kit. # Parts Included in Gasket Repair Kit. Note: Viton and Teflon are Registered Trademarks of E.I. DuPont.

# MECHANICAL SEAL



**GX2½ - MECHANICAL SEAL - STANDARD**

REF. NO.	PART NAME	PARTS PER PUMP	PART NO.
153	Mechanical Seal Complete, Cast Iron Stationary Seat, Carbon Seal Face, Buna-N O-Rings.	2	331601
153D	O-Ring - Stationary (Buna-N)	2	701934
153L	O-Ring - Rotating (Buna-N)	2	701922

**GXS2½ - MECHANICAL SEAL - OPTIONAL**

REF. NO.	PART NAME	PARTS PER PUMP	PART NO.
153	Mechanical Seal Complete, Cast Iron Stationary Seat, Bronze Seal Face, Viton O-Rings.	2	331623
153D	O-Ring - Stationary (Viton)	2	701921
153L	O-Ring - Rotating (Viton)	2	701980

**GX2½ - MECHANICAL SEAL - OPTIONAL**

REF. NO.	PART NAME	PARTS PER PUMP	PART NO.
153	Mechanical Seal Complete, Cast Iron Stationary Seat, Bronze Seal Face, Buna-N O-Rings.	2	331604
153D	O-Ring - Stationary (Buna-N)	2	701934
153L	O-Ring - Rotating (Buna-N)	2	701922

**GXS2½ - MECHANICAL SEAL - OPTIONAL**

REF. NO.	PART NAME	PARTS PER PUMP	PART NO.
153	Mechanical Seal Complete, SS Stationary Seat, Carbon Seal Face, Viton O-Rings.	2	331654
153D	O-Ring - Stationary (Viton)	2	701921
153L	O-Ring - Rotating (Viton)	2	701980

**GXS2½ - MECHANICAL SEAL - STANDARD**

REF. NO.	PART NAME	PARTS PER PUMP	PART NO.
153	Mechanical Seal Complete, Cast Iron Stationary Seat, Buna-N O-Ring, Carbon Seal Face with Teflon Seal Ring.	2	*331602
153D	O-Ring - Stationary (Buna-N)	2	701934
153L	Seal Ring - Rotating (Teflon)	2	**

**GXS2½ - MECHANICAL SEAL - OPTIONAL**

REF. NO.	PART NAME	PARTS PER PUMP	PART NO.
153	Mechanical Seal Complete, SS Stationary Seat, Buna-N O-Ring, Carbon Seal Face with Teflon Seal Ring.	2	331650
153D	O-Ring - Stationary (Buna-N)	2	701934
153L	Seal Ring - Rotating (Teflon)	2	**

**GXS2½ - MECHANICAL SEAL - OPTIONAL**

REF. NO.	PART NAME	PARTS PER PUMP	PART NO.
153	Mechanical Seal Complete, Cast Iron Stationary Seat, Carbon Seal Face, Viton O-Rings.	2	331655
153D	O-Ring - Stationary (Viton)	2	701921
153L	O-Ring - Rotating (Viton)	2	701980

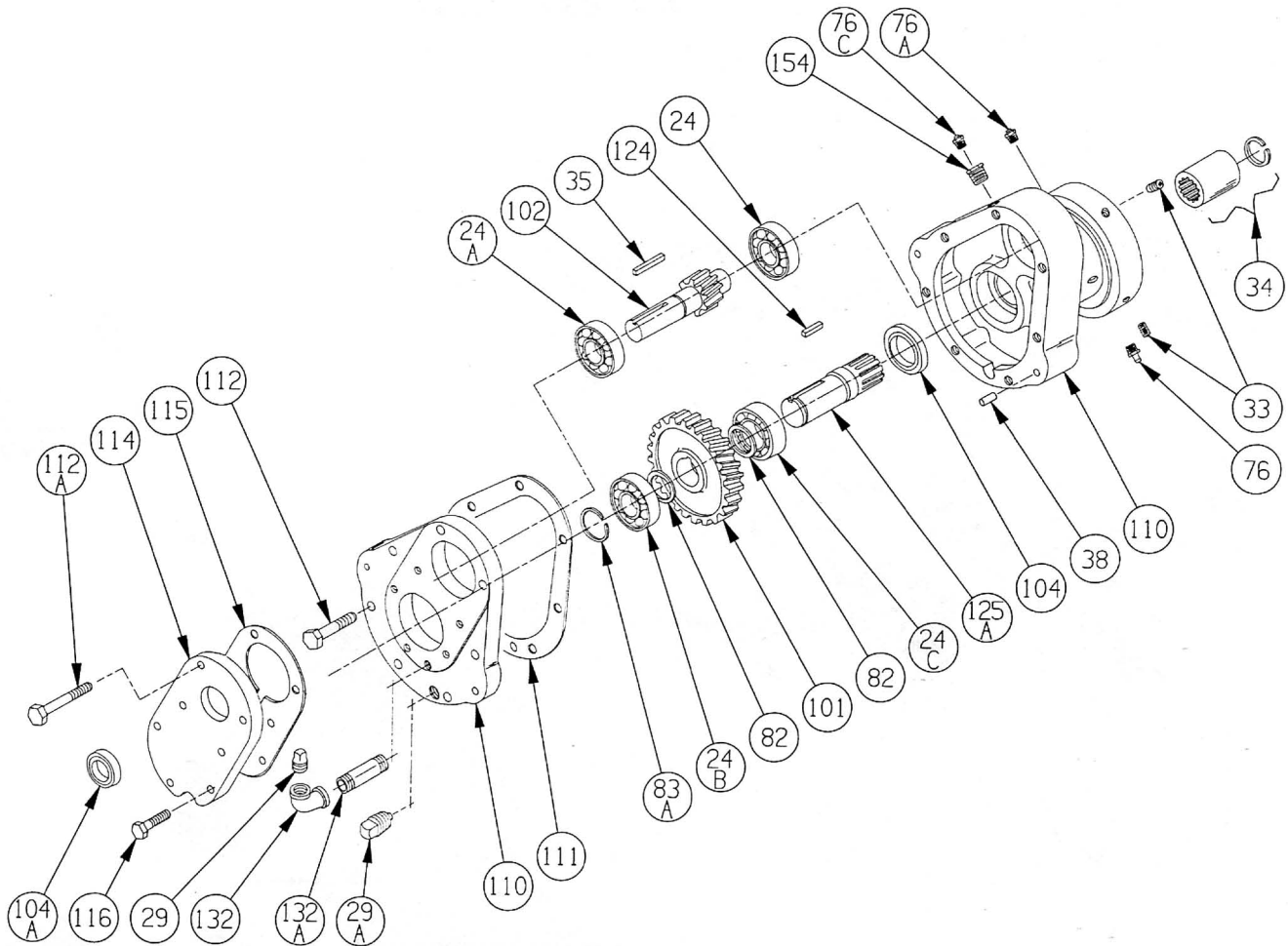
**GXS2½ - MECHANICAL SEAL - OPTIONAL**

REF. NO.	PART NAME	PARTS PER PUMP	PART NO.
153	Mechanical Seal Complete, Cast Iron Stationary Seat, Teflon O-Ring, Carbon Seal Face with Teflon Seal Ring.	2	331673
153D	O-Ring - Stationary (Teflon)	2	702056
153L	Seal Ring - Rotating (Teflon)	2	**

\* Parts Included in Pump Repair Kit.

\*\* Teflon Seal Ring is not available as a separate part.

# HELICAL GEAR REDUCER MODEL: HRO



REF. NO.	PART NAME	PARTS PER UNIT	PART NO.	REF. NO.	PART NAME	PARTS PER UNIT	PART NO.
24	Bearing	1	903142	102	Pinion & Shaft	1	See Table
24A	Bearing - Shielded	1	903143	104	Oil Seal	1	331925
24B	Bearing	1	903116	104A	Oil Seal	1	331921
24C	Bearing - Shielded	1	903117	110	Gearbox Assembly <sup>1</sup>	1	894041
29	Oil Level Plug	1	908185	111	Gasket - Cover	1	814040
29A	Drain Plug	1	908100	112	Capscrews - Cover	5	920203
33	Set Screw	2	922190	112A	Capscrews - Cover	2	920235
34	Splined Coupling (Includes Snap Ring)	1	906072	114	Closure Plate	1	*
35	Key - Pinion	1	909166	115	Gasket - Closure Plate	1	814042
38	Dowel Pin	2	930739	116	Capscrews - Closure Plate	5	920178
76	Grease Fitting	1	317815	124	Key - Splined Shaft	1	909164
76A	Grease Relief & Vent Fitting	1	701992	125A	Splined Shaft	1	704050
76C	Fill & Vent Plug	1	701988	154	Bushing	1	908794
82	Spacer Ring	2	374041	132	Elbow	1	908603
83A	Retaining Ring	2	903603	132A	Pipe Nipple	1	908302
101	Gear	1	See Table				

\* Non-saleable item - included with Gearbox Assembly.

<sup>1</sup> Gearbox Assembly includes Ref. Nos. 38, 110, 111, 112, 112A, 114, 115, 116.

## GEAR AND PINION SELECTION TABLE

RATIO	RPM	102 PINION NO.	QTY	101 GEAR NO.	QTY
2.24	780	915118	1	919918	1
2.72	640	915116	1	919916	1
3.32	520	915117	1	919917	1
4.10	420	915120	1	919920	1
4.94	350	915121	1	919921	1

NOTE: Speed is based on 1750 rpm input.

***blackmer***

A  **DOVER** RESOURCES COMPANY

1809 Century Avenue, Grand Rapids, Michigan 49509, U.S.A.  
(616) 241-1611 • Telex: 4320148 • Fax: (616) 241-3752