

# BLACKMER PUMP PARTS LIST

## MODELS: GX4A, GXS4A

(See Instructions 185/C for Operations and Maintenance)

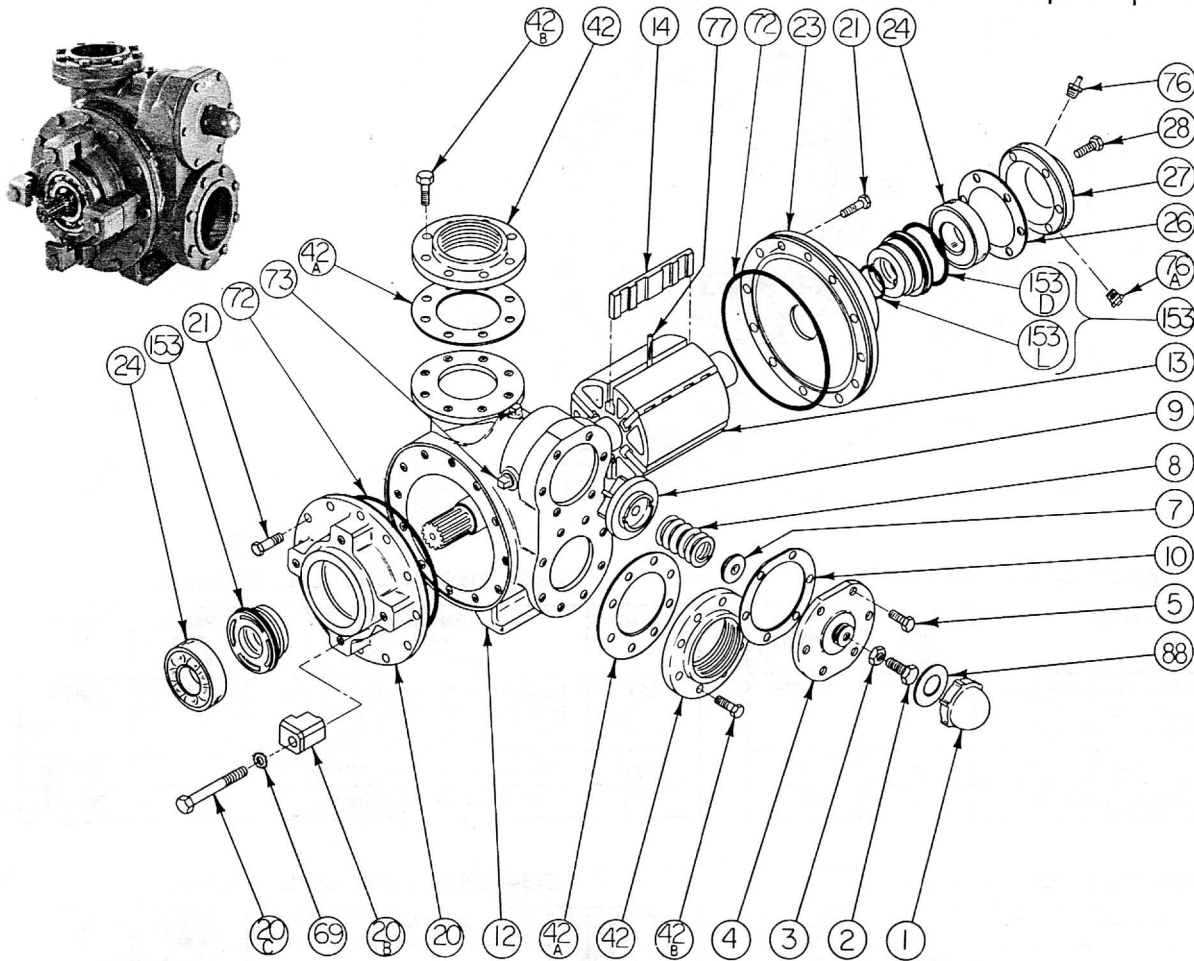
960215

PARTS LIST NO. 185/C7

Section 100

Effective May 1992

Replaces January 1991

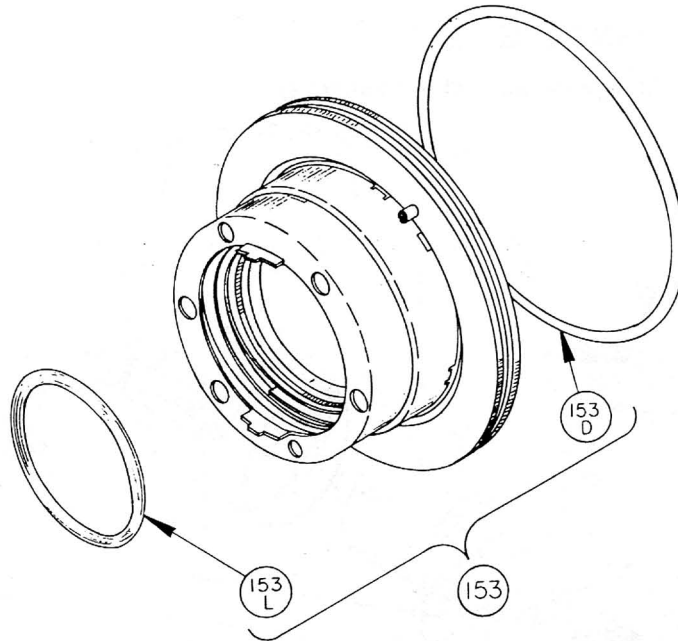


REF. NO.	PART NAME	PARTS PER PUMP	PART NO.	REF. NO.	PART NAME	PARTS PER PUMP	PART NO.
1	Cap - Relief Valve (R/V)	1	413952	20	Head - Inboard	1	031910
2	Adjusting Screw - R/V	1	436307	20B	Clamp	4	834011
3	Locknut - Adjusting Screw	1	436355	20C	Capscrews - Clamp	4	920720
4	Cover - R/V	1	411903	21	Capscrews - Head	24	920510
5	Capscrew - R/V Cover	6	920351	23	Head - Outboard	1	031909
7	Spring Guide - R/V	1	426355	24	Ball Bearing	2	903182
8	Spring - R/V (35-50 psi)	1	476303	26	Gasket - Bearing Cover	1	386950#
	Spring - R/V (51-75 psi)(Std.)		476310	27	Bearing Cover	1	041905
	Spring - R/V (76-110 psi)		476305	28	Capscrews - Bearing Cover	6	920491
	Spring - R/V (111-125 psi)		476308	42	Flange - 4" NPT	2	651900
	SS Spring - R/V (35-50 psi)(GXS)		476320		Flange - 4" Weld		651905
	SS Spring - R/V (51-75 psi)(GXS)		476314	42A	Gasket - Flange	2	381903#
	SS Spring - R/V (76-125 psi)(GXS)		476321	42B	Capscrew - Flange	16	920532
9	Valve - R/V	1	456315	69	Lockwasher - Clamp	4	909635
	Valve - R/V (Nickel Plated)		456300		O-Ring - Head (Buna-N)(Std.)	2	702023#
10	Gasket - R/V Cover	1	531903#	72	O-Ring - Head (Viton)		702024
12	Cylinder	1	021905		O-Ring - Head (Teflon)		702093
13	Rotor & Shaft	1	261951	73	Gage Plug	2	909195
14	Vane - Duravane (Std.)	6	091924	76	Grease Fitting	1	317815
	Vane - EC Laminate		091931	76A	Grease Relief Fitting	1	701992
	Vane - Cast Iron		091950	77	Push Rod	3	121905
	Vane - EC Cast Iron		091952	88	Gasket - R/V Cap	1	533908#
	Vane - Bronze		091951		Gasket Repair Kit		891915
	Vane - EC Bronze		091953				

# Parts Included in Gasket Repair Kit.

Note: Viton and Teflon are Registered Trademarks of E.I. DuPont.

# MECHANICAL SEAL



## GX4 - MECHANICAL SEAL - STANDARD

REF. NO.	PART NAME	PARTS PER PUMP	PART NO.
153	Mechanical Seal Complete, Cast Iron Stationary Seat, Carbon Seal Face, Buna-N O-Rings.	2	336958
153D	O-Ring - Stationary (Buna-N)	2	701945
153L	O-Ring - Rotating (Buna-N)	2	701933

## GXS4 - MECHANICAL SEAL - OPTIONAL

REF. NO.	PART NAME	PARTS PER PUMP	PART NO.
153	Mechanical Seal Complete, Cast Iron Stationary Seat, Bronze Seal Face, Viton O-Rings.	2	336984
153D	O-Ring - Stationary (Viton)	2	711932
153L	O-Ring - Rotating (Viton)	2	701967

## GX4 - MECHANICAL SEAL - OPTIONAL

REF. NO.	PART NAME	PARTS PER PUMP	PART NO.
153	Mechanical Seal Complete, Cast Iron Stationary Seat, Bronze Seal Face, Buna-N O-Rings.	2	336961
153D	O-Ring - Stationary (Buna-N)	2	701945
153L	O-Ring - Rotating (Buna-N)	2	701933

## GXS4 - MECHANICAL SEAL - OPTIONAL

REF. NO.	PART NAME	PARTS PER PUMP	PART NO.
153	Mechanical Seal Complete, SS Stationary Seat, Carbon Seal Face, Viton O-Rings.	2	331967
153D	O-Ring - Stationary (Viton)	2	711932
153L	O-Ring - Rotating (Viton)	2	701967

## GXS4 - MECHANICAL SEAL - STANDARD

REF. NO.	PART NAME	PARTS PER PUMP	PART NO.
153	Mechanical Seal Complete, Cast Iron Stationary Seat, Buna-N O-Ring, Carbon Seal Face with Teflon Seal Ring.	2	336930
153D	O-Ring - Stationary (Buna-N)	2	701945
153L	Seal Ring - Rotating (Teflon)	2	**

## GXS4 - MECHANICAL SEAL - OPTIONAL

REF. NO.	PART NAME	PARTS PER PUMP	PART NO.
153	Mechanical Seal Complete, SS Stationary Seat, Buna-N O-Ring, Carbon Seal Face with Teflon Seal Ring.	2	331965
153D	O-Ring - Stationary (Buna-N)	2	701945
153L	Seal Ring - Rotating (Teflon)	2	**

## GXS4 - MECHANICAL SEAL - OPTIONAL

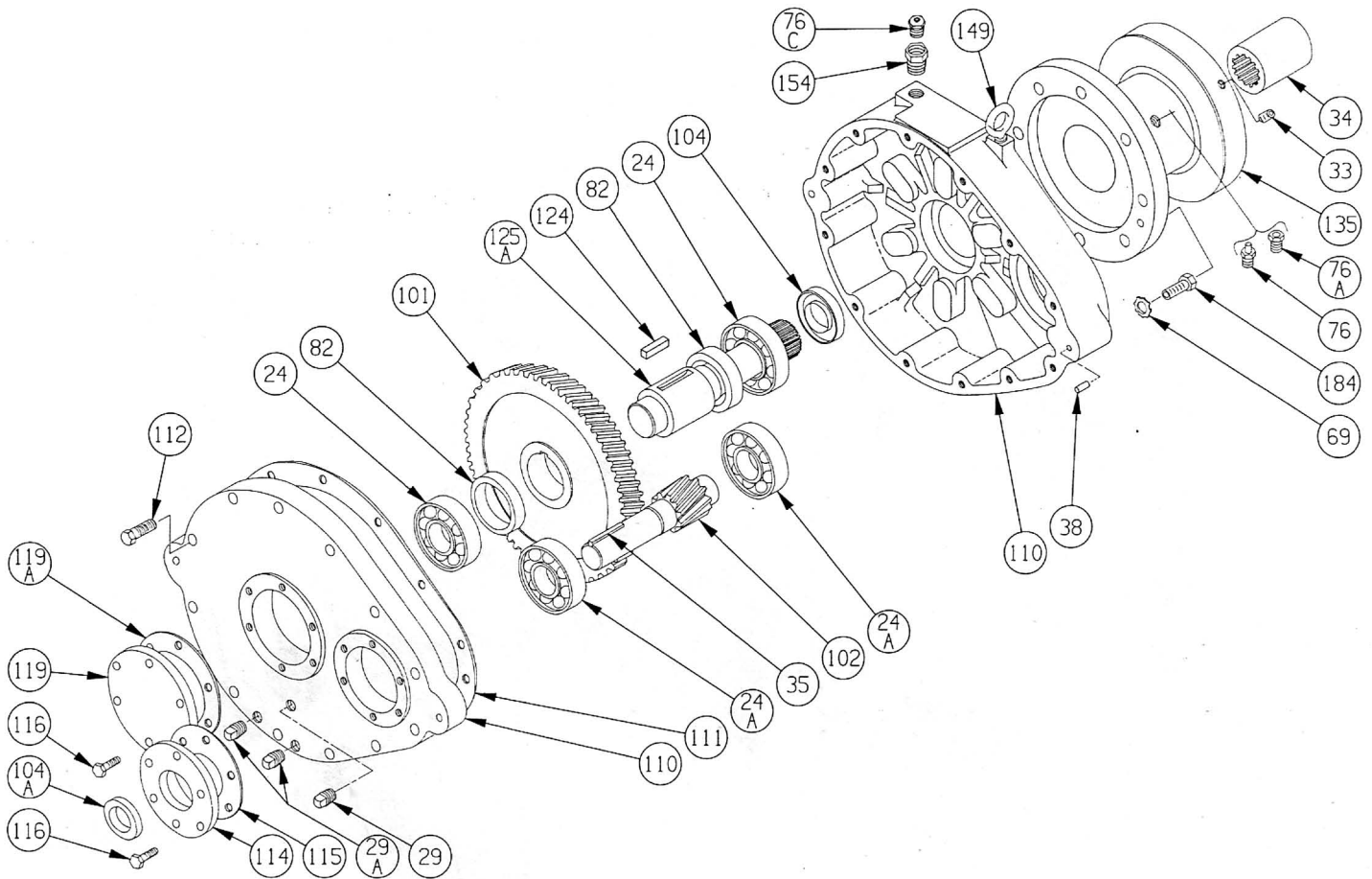
REF. NO.	PART NAME	PARTS PER PUMP	PART NO.
153	Mechanical Seal Complete, Cast Iron Stationary Seat, Carbon Seal Face, Viton O-Rings.	2	336982
153D	O-Ring - Stationary (Viton)	2	711932
153L	O-Ring - Rotating (Viton)	2	701967

## GXS4 - MECHANICAL SEAL - OPTIONAL

REF. NO.	PART NAME	PARTS PER PUMP	PART NO.
153	Mechanical Seal Complete, Cast Iron Stationary Seat, Teflon O-Ring, Carbon Seal Face with Teflon Seal Ring.	2	331973
153D	O-Ring - Stationary (Teflon)	2	702090
153L	Seal Ring - Rotating (Teflon)	2	**

\*\* Teflon Seal Ring is not available as a separate part.

# HELICAL GEAR REDUCER MODEL: HRB



REF. NO.	PART NAME	PARTS PER UNIT	PART NO.	REF. NO.	PART NAME	PARTS PER UNIT	PART NO.
24	Bearing	2	903130	104A	Oil Seal	1	331909
24A	Bearing	2	903150	110	Gearbox Assembly <sup>1</sup>	1	894011
29	Oil Level Plug	1	908198	111	Gasket - Cover	1	814010
29A	Drain Plug	2	908100	112	Capscrews - Cover	12	920381
33	Set Screw	2	922200	114	Closure Plate - Input	1	*
34	Splined Coupling (Includes Snap Ring)	1	906082	115	Gasket - Input Closure Plate	1	814011
35	Key - Pinion	1	909177	116	Capscrews - Closure Plate	12	920073
38	Dowel Pin	2	930739	119	Closure Plate - Blind	1	*
69	Lockwasher	6	909630	119A	Gasket - Blind Closure Plate	1	814012
76	Grease Fitting	1	317815	124	Key - Splined Shaft	1	909179
76A	Grease Relief Fitting	1	701992	125A	Splined Shaft	1	704020
76C	Fill & Vent Plug	1	701988	135	Spool	1	834012
82	Spacer Ring	2	374011	149	Eyebolt	1	922450
101	Gear	1	See Table	154	Bushing	1	908794
102	Pinion & Shaft	1	See Table	184	Capscrew - Spool	6	920540
104	Oil Seal	1	331930				

\* Non-saleable item - included with Gearbox Assembly.

<sup>1</sup> Gearbox Assembly includes Ref. Nos. 38, 110, 111, 112, 114, 115, 116, 119, 119A.

## GEAR AND PINION SELECTION TABLE

RATIO	RPM	102 PINION NO.	QTY	101 GEAR NO.	QTY
2.70	640	915148	1	919948	1
3.52	500	915134	1	919934	1
4.36	400	915135	1	919935	1
5.77	300	915136	1	919936	1
7.71	230	915137	1	919937	1
9.18	190	915149	1	919949	1

NOTE: Speed is based on 1750 rpm input.

***blackmer***

A **DOVER** RESOURCES COMPANY

1809 Century Avenue, Grand Rapids, Michigan 49509, U.S.A.  
(616) 241-1611 • Telex: 4320148 • Fax: (616) 241-3752