

BLACKMER PUMP PARTS LIST

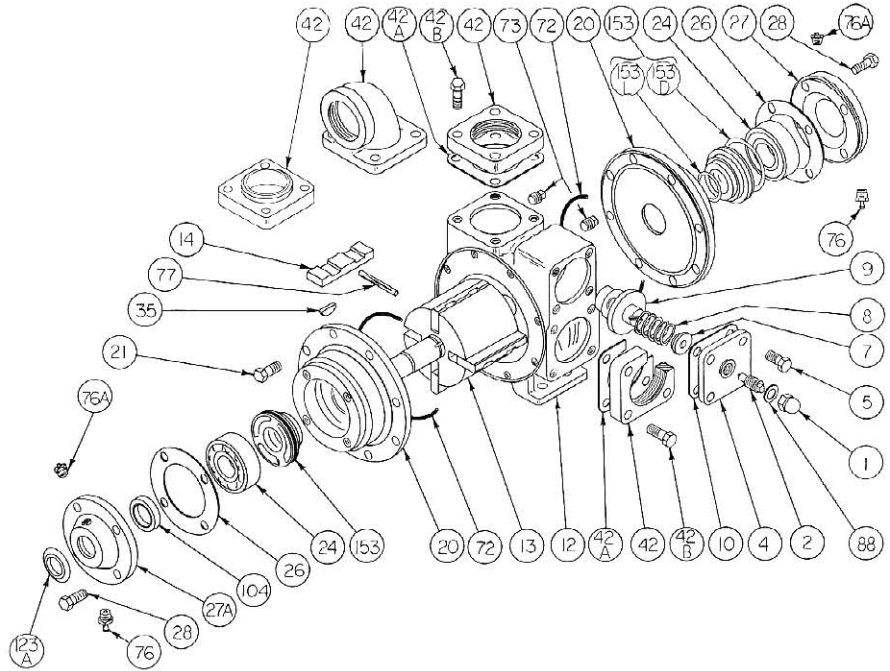
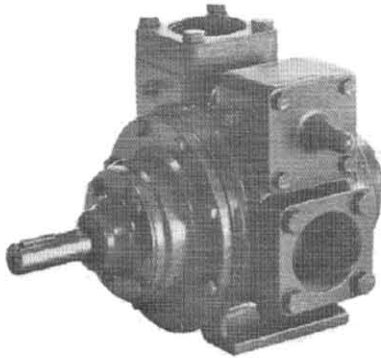
MODELS: X2A, XS2A

(See Instructions 185/C for Operation and Maintenance)

Discontinued Models. Parts availability may be limited.

960216
PARTS LIST NO. 185/C9

Section	100
Effective	September 1993
Replaces	January 1991



NOTE: X2 AND XS2 ARE DISCONTINUED MODELS.

REF. NO.	PART NAME	PARTS PER PUMP	X(S)2A PART NO.	X(S)2 PART NO.	REF. NO.	PART NAME	PARTS PER PUMP	X(S)2A PART NO.	X(S)2 PART NO.
1	Cap - Relief Valve (R/V)	1	411452	411452	20	Head	2	031425	031425
2	Adjusting Screw - R/V	1	431401	431401	21	Capscrews - Head	16	920331	920331
4	Cover - R/V	1	411401	411401	24	Ball Bearing	2	*903156	*903158
5	Capscrew - R/V Cover	4	920316	920316	26	Gasket - Bearing Cover	1	*383940#	*383940#
7	Spring Guide - R/V	1	423955	423955	27	Bearing Cover - Outboard	1	041433	041433
8	Spring - R/V (25-35 psi)	1	471412	471412	27A	Bearing Cover - Inboard	1	041431	041431
	Spring - R/V (36-50 psi)		471415	471415	28	Capscrews - Bearing Cover	8	920285	920285
	Spring - R/V (51-75 psi)(Std.)		*471420	*471420	35	Key - Shaft	1	*909130	*909130
	Spring - R/V (76-110 psi)		471425	471425	42	Flange - 2" NPT (Std.)	1-2	651411	651411
	Spring - R/V (111-125 psi)		471428	471428		Flange - 2" Weld		654405	654405
	SS Spring - R/V (36-50 psi) ¹		471417	471417		Flanged Elbow - 2" NPT		651415	651415
	SS Spring - R/V (51-75 psi) ¹		471418	471418	42A	Gasket - Flange	1-2	*381405#	*381405#
	SS Spring - R/V (76-110 psi) ¹		471427	471427	42B	Capscrew - NPT/Weld Flange (Std.)	4-8	920351	920351
SS Spring - R/V (111-125 psi) ¹	471429	471429		Capscrew - Flanged Elbow	920331	920331			
9	Valve - R/V (Std.)	1	*451417	*451417	72	O-Ring - Head (Buna-N) (Std.)	2	*701947#	*701947#
	Valve - R/V (Nickel Plated)		451415	451415		O-Ring - Head (Viton)		701914	701914
10	Gasket - R/V Cover	1	*531403#	*531403#				O-Ring - Head (Teflon)	
12	Cylinder	1	021403	021403	73	Gage Plug	2	908198	908198
13	Rotor & Shaft	1	261410	221455	76	Grease Fitting	2	317815	317815
	EC Rotor & Shaft		261412	221449	76A	Grease Relief Fitting	2	701992	701992
14	Vane - Duravane (Std.)	4	*091419	*091419	77	Push Rod	2	*123905	*123905
	Vane - Bronze		093924	093924	88	Gasket - R/V Cap	1	*701981#	*701981#
	Vane - Cast Iron		093923	093923	104	Grease Seal	1	*331918#	*331918#
	Vane - Laminate		091427	091427	123A	Dirt Shield	1	701480	701480
	Vane - EC Laminate		091429	091429		Pump Repair Kit (XS)		891502	871171
						Gasket Repair Kit		891455	891455

¹ Stainless Steel available for XS Models Only.

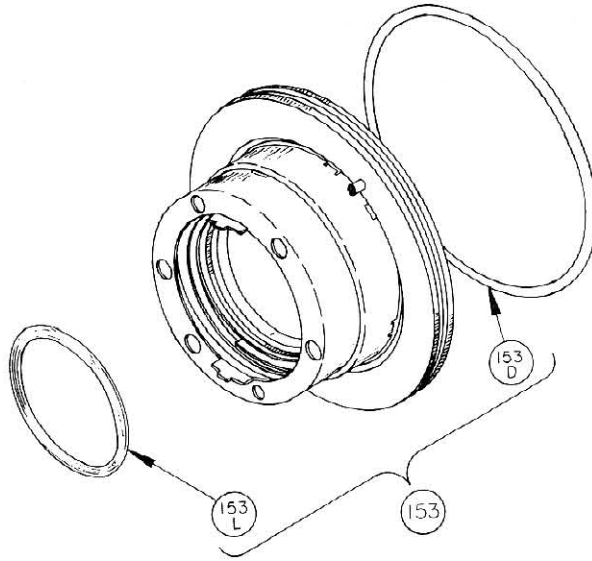
* Parts Included in Pump Repair Kit.

Parts Included in Gasket Repair Kit.

NOTE: Viton and Teflon are Registered Trademarks of E.I. DuPont.

NOTE: An X(S)2 Model can be upgraded to an X(S)2A Model by replacing the Rotor & Shaft (Ref. No.13), the Bearing (Ref. No. 24), and the Mechanical Seal (Ref. No. 153) - parts must be replaced as a group.

PARTS LIST NO. 185/C10



X2A, X2 - MECHANICAL SEAL - STANDARD

REF. NO.	PART NAME	PARTS PER PUMP	X2A PART NO.	X2 PART NO.
153	Mechanical Seal Complete, Cast Iron Stationary Seat, Carbon Seal Face, Buna-N O-Rings.	2	331601	331415
153D	O-Ring - Stationary(Buna-N)	2	701934	701934
153L	O-Ring - Rotating (Buna-N)	2	701922	701920

XS2A, XS2 - MECHANICAL SEAL - OPTIONAL

REF. NO.	PART NAME	PARTS PER PUMP	XS2A PART NO.	XS2 PART NO.
153	Mechanical Seal Complete, Cast Iron Stationary Seat, Bronze Seal Face, Viton O-Rings.	2	331623	331457
153D	O-Ring - Stationary (Viton)	2	701921	701921
153L	O-Ring - Rotating (Viton)	2	701980	701979

X2A, X2 - MECHANICAL SEAL - OPTIONAL

REF. NO.	PART NAME	PARTS PER PUMP	X2A PART NO.	X2 PART NO.
153	Mechanical Seal Complete, Cast Iron Stationary Seat, Bronze Seal Face, Buna-N O-Rings.	2	331604	331411
153D	O-Ring - Stationary(Buna-N)	2	701934	701934
153L	O-Ring - Rotating (Buna-N)	2	701922	701920

XS2A, XS2 - MECHANICAL SEAL - OPTIONAL

REF. NO.	PART NAME	PARTS PER PUMP	XS2A PART NO.	XS2 PART NO.
153	Mechanical Seal Complete, SS Stationary Seat, Carbon Seal Face, Viton O-Rings.	2	331654	331454
153D	O-Ring - Stationary (Viton)	2	701921	701921
153L	O-Ring - Rotating (Viton)	2	701980	701979

XS2A, XS2 - MECHANICAL SEAL - STANDARD

REF. NO.	PART NAME	PARTS PER PUMP	XS2A PART NO.	XS2 PART NO.
153	Mechanical Seal Complete, Cast Iron Stationary Seat, Buna-N O-Ring, Carbon Seal Face with Teflon Seal Ring.	2	*331602	*331430
153D	O-Ring - Stationary(Buna-N)	2	701934	701934
153L	Seal Ring - Rotating (Teflon)	2	**	**

XS2A, XS2 - MECHANICAL SEAL - OPTIONAL

REF. NO.	PART NAME	PARTS PER PUMP	XS2A PART NO.	XS2 PART NO.
153	Mechanical Seal Complete, SS Stationary Seat, Buna-N O-Ring, Carbon Seal Face with Teflon Seal Ring.	2	331650	331450
153D	O-Ring - Stationary(Buna-N)	2	701934	701934
153L	Seal Ring - Rotating (Teflon)	2	**	**

XS2A, XS2 - MECHANICAL SEAL - OPTIONAL

REF. NO.	PART NAME	PARTS PER PUMP	XS2A PART NO.	XS2 PART NO.
153	Mechanical Seal Complete, Cast Iron Stationary Seat, Carbon Seal Face with Viton O-Rings.	2	331655	331455
153D	O-Ring - Stationary (Viton)	2	701921	701921
153L	O-Ring - Rotating (Viton)	2	701980	701979

XS2A, XS2 - MECHANICAL SEAL - OPTIONAL

REF. NO.	PART NAME	PARTS PER PUMP	XS2A PART NO.	XS2 PART NO.
153	Mechanical Seal Complete, Cast Iron Stationary Seat, Teflon O-Ring, Carbon Seal Face with Teflon Seal Ring.	2	331673	331473
153D	O-Ring - Stationary (Teflon)	2	702056	702056
153L	Seal Ring - Rotating (Teflon)	2	**	**

** Teflon Seal Ring is not available as a separate part.

* Parts Included in Pump Repair Kit.

blackmer

A **DOVER** RESOURCES COMPANY

1809 Century Avenue, Grand Rapids, Michigan 49509, U.S.A.
 (616) 241-1611 • Telex: 4320148 • Fax: (616) 241-3752