

# **BLACKMER PUMP PARTS LIST\***

**MODELS: HXL8F-N, HXLS8F-N**

**MODELS: HXLD8F-N, HXLSD8F-N**

**MODELS: HXLJ8F-N, HXLJD8F-N**

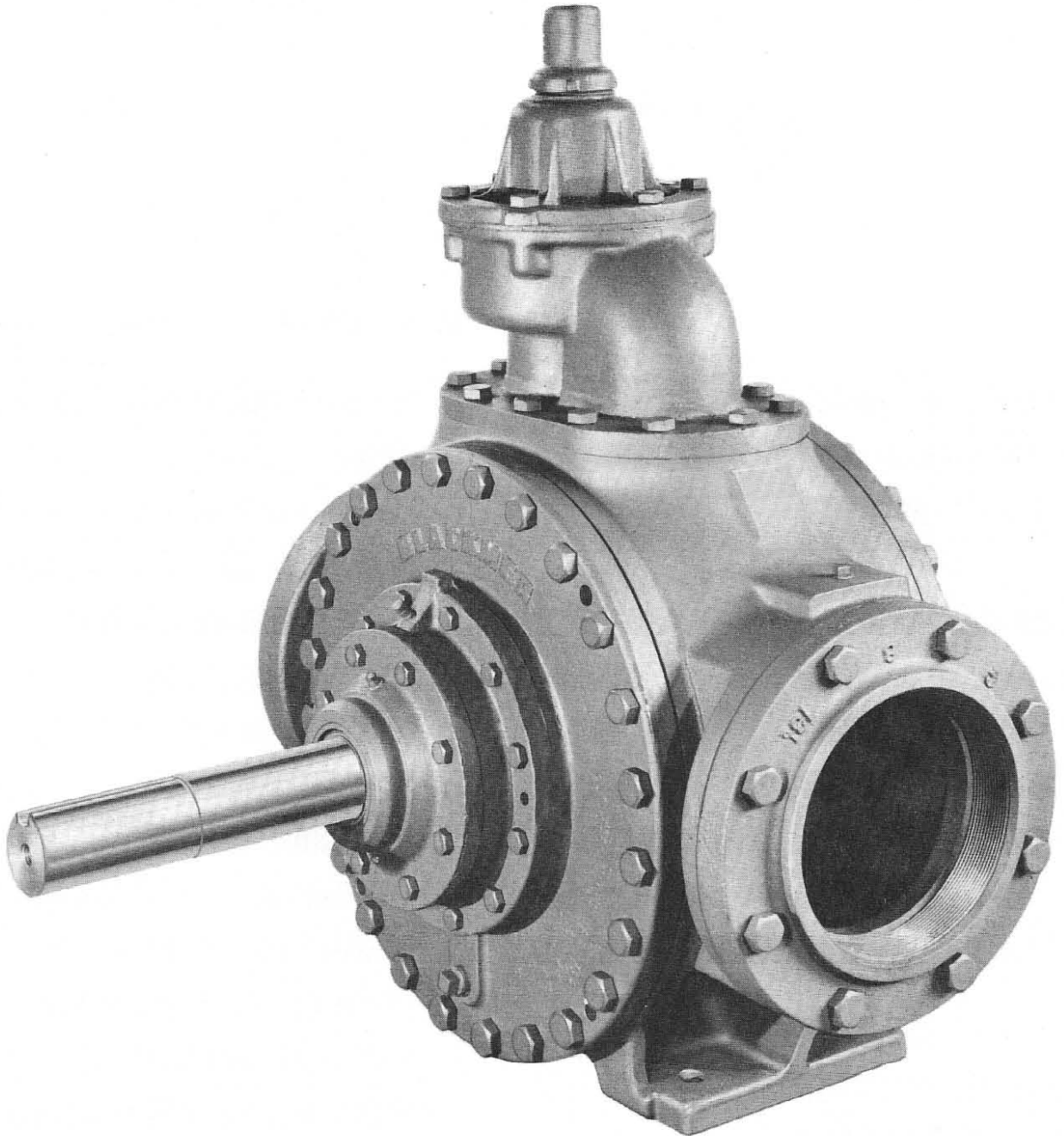
**960235**  
**PARTS LIST NO. 185/E10**

Section  
Effective  
Replaces

100  
July 1985  
November 1982

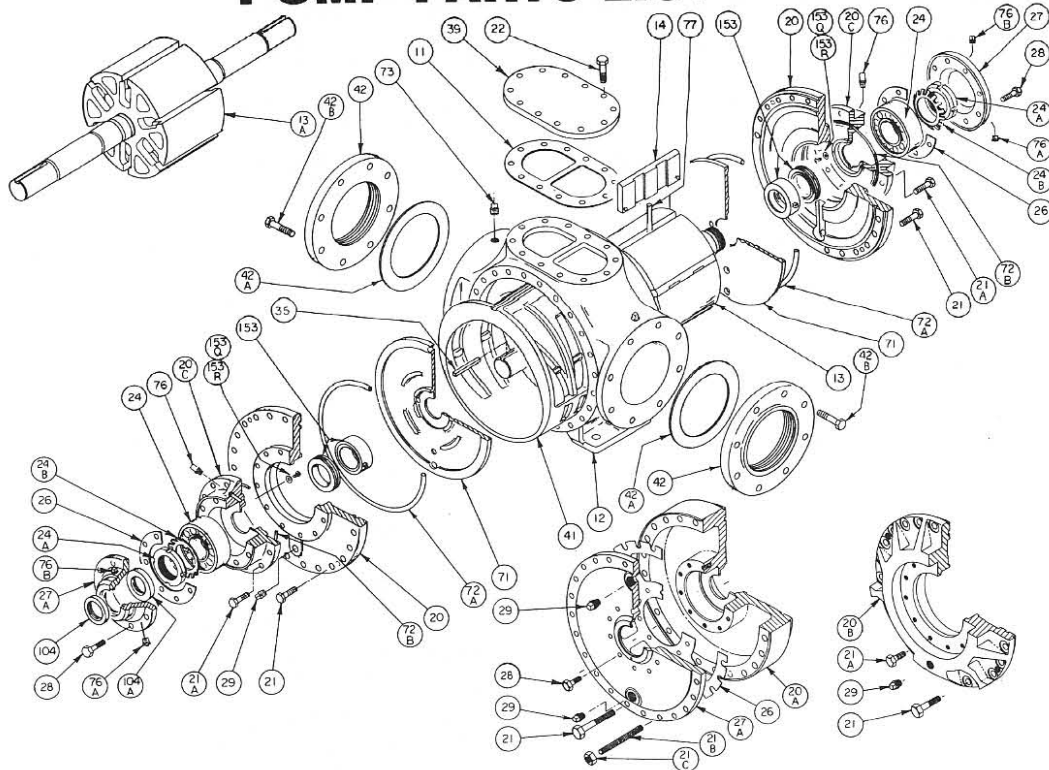
(For Operation and Maintenance Instructions See Instruction No. 185/E)

[Discontinued Models. Parts Availability May be Limited.](#)



\*Parts List 185/E10 may also be used for HXL8-E pump models.

# PUMP PARTS LIST



## JACKETED HEAD

## HIGH PRESSURE HEAD

REF. NO.	PART NAME	NO. PARTS PER PUMP	PART NO. HXL(S)8-N	PART NO. HXLJ8-N
11	Gasket - Blanking Plate	1	537752#	537752
12	Casing (Ductile)	1	017718	017718
13	Rotor & Shaft - Full Size	1	287747	
	Rotor & Shaft - EC		287748(1)	287739(1)
13A	Rotor & Shaft - Full Size Standard on HXL(S)D8-N	1	287735	
	Rotor & Shaft - EC Standard on HXLJD8-N			287740(1)
14	Vane-Composition (2)	6	097757	
	Vane-Composition-EC (2)		097758	097758
	Vane-Laminate		097761	
	Vane-Laminate-EC		097707	097707
	Vane-Cast Iron		097733	
	Vane-Cast Iron-EC		097735	097735
	Vane-Bronze		097734	
20	Heads (Ductile)	2	037708	
20A	Jacketed Heads (Ductile)			037709
20B	High Pressure Heads (Ductile)	2	037710	
20C	Hubs (Ductile)		037748	
21	Capscrews - Head	48-44	920780	920823
	Capscrews - Head (High Pressure)	48	920781	
21A	Capscrews - Hub	24	920510	
21B	Studs - Head	4		921656
21C	Nuts - Head	4		922875
22	Capscrews - Blanking Plate	12	920640	920640
	Capscrews - Blanking Plate (High Pressure)	12	920639	
24	Bearings	2	903272	903272

REF. NO.	PART NAME	NO. PARTS PER PUMP	PART NO. HXL(S)8-N	PART NO. HXLJ8-N
24A	Locknuts - Bearing (1)	2	903527	
24B	Lockwashers - Bearing (1)	2	903528	
26	Gasket - Bearing Cover	2	387221#	387709
27	Cover-Outboard Bearing (3)	1	047205	047717
27A	Cover-Inboard Bearing (3)	1-2	047707	047719
28	Capscrews-Bearing Cover	16-20	920510	920540
29	Plug - Drain	2	908225	908235
35	Key	1	909107	909107
39	Plate - Blanking (Ductile)	1	497708	497708
41	Liner (Cast Iron)	1	187705	187705
42	Flanges (Ductile)	2	657704	657704
42A	Gaskets - Flange	2	387711#	387711
42B	Capscrews - Flange	16	920790	920790
71	Discs	2	067711	067711
72A	O-Rings - Head (Buna-N)	2	711967#	
	O-Rings - Head (Viton)		711969#	711969
72B	O-Rings - Hub (Buna-N)	2	701944#	
	O-Rings - Hub (Viton)		711938#	
73	Plug - Gage	2	908195	908195
76	Fitting - Grease	2	317815	317815
76A	Fitting - Grease Relief	2	701992	701992
76B	Plug - Bearing Cover	2	908185	
77	Push Rod (Steel)	3	127705	127705
104	Seal - Grease	1-2	904180#	904180
104A	Seal - Grease	1-2	904193#	904193
153Q	Screw - Seal Retaining	4	922763	922763
153R	Washer - Screw Retaining	4	909668	909668
Gasket Repair Kit - HXL8-N, HXLJ8-N			897795	
Gasket Repair Kit - HXL8-N, HXLJ8-N			897796	
#Parts Included in Gasket Repair Kit				

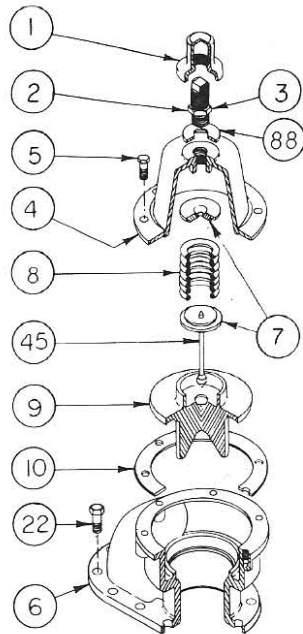
(1) Jacketed & Dual Shaft Models do not have Locknuts on Shafts.

(2) Composition (MAA) Vanes are being replaced by Laminate Vanes. (MAA Vanes are Subject to Availability)

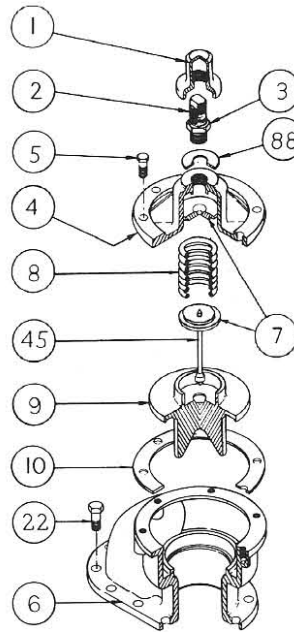
(3) HXLD (Dual Shaft) pump models require two inboard bearing covers. Do Not use outboard covers.

EC = Extra Clearance

# RELIEF VALVE



**HXL-F MODELS**



**HXL-E MODELS\***

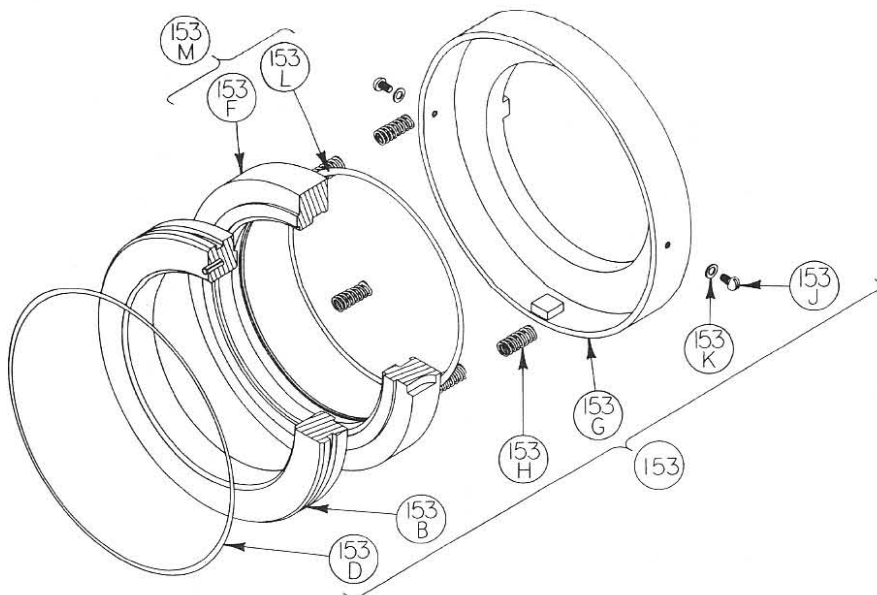
REF. NO.	PART NAME	NO. PARTS PER PUMP	F-MODELS	E-MODELS*	
			FULL PRESSURE RANGE	PART NO. LOW PRESS.	PART NO. HIGH PRESS.
1	Cap (Ductile)	1	417710	417710	417710
2	Adjusting Screw	1	437205	437205	437205
3	Locknut	1	436655	436655	436655
4	Cover (Ductile)*	1	417200	417718	417708
5	Capscrews - Cover	6	920640	920640	920640
6	Body (Ductile) Epon Finish	1	407709	407708	407709
7	Spring Guide (Cast Iron) (30-70 PSI)	2	427200	426961	
	Spring Guide (Cast Iron) (71-150 PSI)			426655	426655
8	Spring (30-50 PSI)	1	477702	477703	
	Spring (51-70 PSI)			476912	
	Spring (71-100 PSI)			477203	
	Spring (101-150 PSI)				477203
	Spring (51-80 PSI)	1 each	477701 & 477702		
	Spring (81-100 PSI)	1	476912		
	Spring (51-70 PSI) Stainless Steel			476913	
	Spring (71-100 PSI) Stainless Steel			477204	
	Spring (101-150 PSI) Stainless Steel				477204
	Spring (81-100 PSI) Stainless Steel			476913	
	Spring (101-150 PSI) Stainless Steel			477204	
	9	Valve (Cast Iron)	1	457215	457711
10	Gasket - Cover	1	536606#	537706#	536606#
22	Capscrews - Body	12	920640	920640	920640
45	Guide Rod (Steel)	1	427205	427205	427205
88	Gasket - Cap	1	536652#	536652#	536912#

\*NOTE: For proper identification of low and high pressure relief valves on the "E" model pumps, measure diameter of the relief valve cover (Ref. No. 4).

LOW PRESSURE: 10½" Diameter Cover

HIGH PRESSURE: 9½" Diameter Cover

# MECHANICAL SEALS



**HXL8(D)F-N MECHANICAL SEAL — STANDARD**

REF. NO.	PART NAME	NO. PARTS PER PUMP	PART NO.
153	Mechanical Seal Assembly	2	337740
153B	Stationary Seat - NI Resist	2	337730
153D	O-Ring, Stat. - Buna-N	2	701918
153F	Seal Face - Carbon	2	337747
153G	Seal Jacket Assembly	2	337743
153H	Seal Spring	12	337716
153J	Screw	4	922740
153K	Lockwasher	4	909608
153L	O-Ring, Rot. - Buna-N	2	701925

**HXLJ8(D)F-N MECHANICAL SEAL — STANDARD  
HXLS8(D)F-N MECHANICAL SEAL — OPTIONAL**

REF. NO.	PART NAME	NO. PARTS PER PUMP	PART NO.
153	Mechanical Seal Assembly	2	337736
153B	Stationary Seat - NI Resist	2	337730
153D	O-Ring, Stat. - Viton	2	701991
153F	Seal Face - Bronze	2	337752
153G	Seal Jacket Assembly	2	337743
153H	Seal Spring	12	337716
153J	Screw	4	922740
153K	Lockwasher	4	909608
153L	O-Ring, Rot. - Viton	2	701924

**HXLS8(D)F-N MECHANICAL SEAL — STANDARD**

REF. NO.	PART NAME	NO. PARTS PER PUMP	PART NO.
153	Mechanical Seal Assembly	2	337741
153B	Stationary Seat - NI Resist	2	337730
153D	O-Ring, Stat. - Buna N	2	701918
153G	Seal Jacket Assembly	2	337743
153H	Seal Spring	12	337716
153J	Screw	4	922740
153K	Lockwasher	4	909608
153M	Seal Face & Seal Ring Assembly - Carbon/Teflon	2	337744

**HXLS8(D)F-N MECHANICAL SEAL — OPTIONAL**

REF. NO.	PART NAME	NO. PARTS PER PUMP	PART NO.
153	Mechanical Seal Assembly	2	337742
153B	Stationary Seat - NI Resist	2	337730
153D	O-Ring, Stat. - Viton	2	701991
153F	Seal Face - Carbon	2	337747
153G	Seal Jacket Assembly	2	337743
153H	Seal Spring	12	337716
153K	Screw	4	922740
153K	Lockwasher	4	909608
153L	O-Ring, Rot. - Viton	2	701924

**HXL8(D)F-N MECHANICAL SEAL — OPTIONAL**

REF. NO.	PART NAME	NO. PARTS PER PUMP	PART NO.
153	Mechanical Seal Assembly	2	337760
153B	Stationary Seat - NI Resist	2	337730
153D	O-Ring, Stat. - Buna-N	2	701918
153F	Seal Face - Bronze	2	337752
153G	Seal Jacket Assembly	2	337743
153H	Seal Spring	12	337716
153J	Screw	4	922740
153K	Lockwasher	4	909608
153L	O-Ring, Rot. - Buna-N	2	701925

**HXL8F-N CO<sub>2</sub>\* MECHANICAL SEAL**

REF. NO.	PART NAME	NO. PARTS PER PUMP	PART NO.
153	Mechanical Seal Complete	2	337755
153B	Stationary Seat, Steel	2	337750
153D	O-Ring, Stat. - Buna-N	2	701918
153F	Seal Face, Carbon	2	337749
153L	O-Ring, Rotating - Buna-N	2	701925
153G	Seal Jacket	2	337743
153H	Seal Spring	12	337716
153J	Screw	4	909608
153K	Lockwasher	4	922740

\*Mechanical Seal designed for CO<sub>2</sub> service only.