

# BLACKMER PUMP PARTS LIST

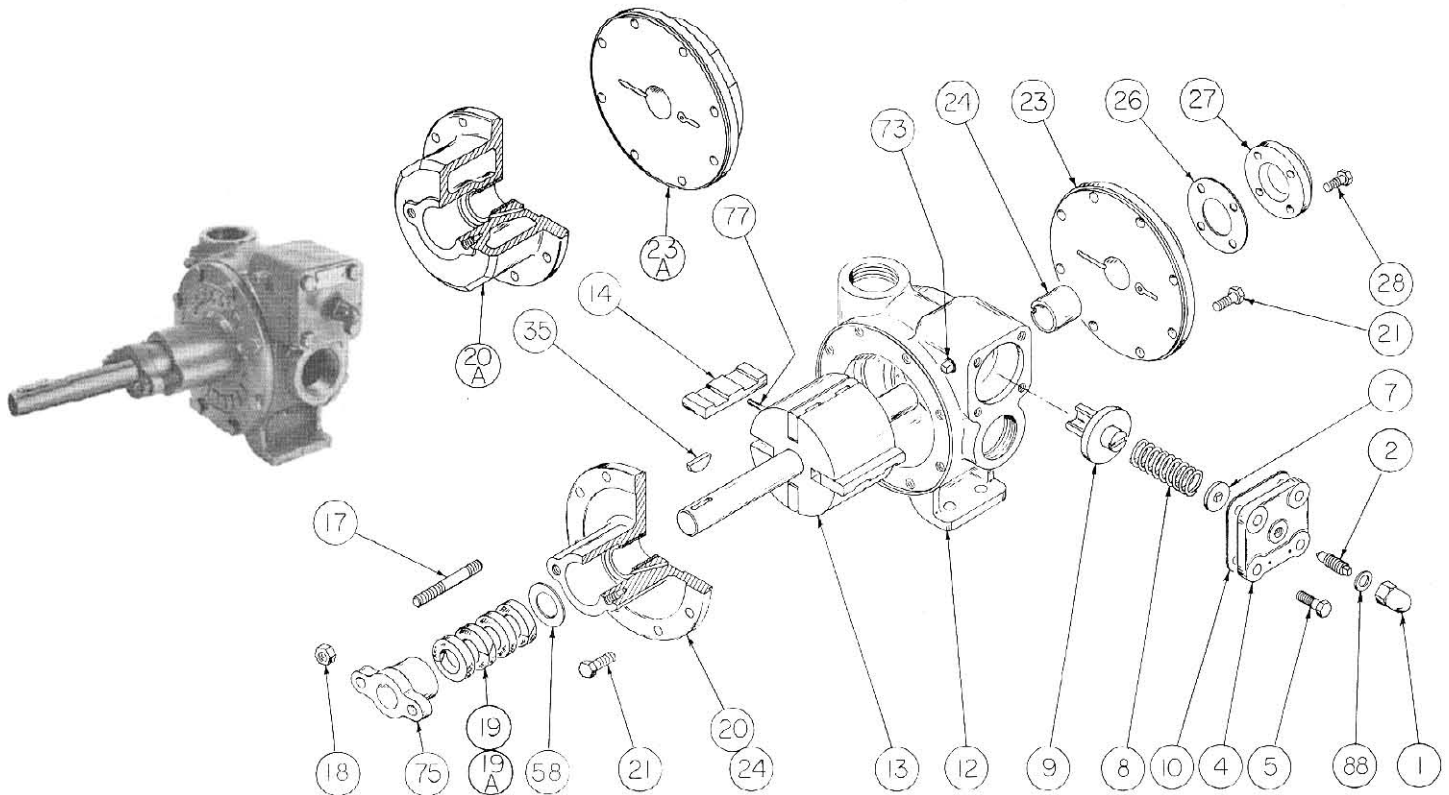
960241  
PARTS LIST NO. 185/F1

## MODELS: NP1½, NPJ1½

(See Instructions 185/F for Operation and Maintenance)

Discontinued Models. Parts availability may be limited.

Section 100  
Effective November 1988  
Replaces August 1978



| REF. NO.                        | PART NAME                                      | PARTS PER PUMP | PART NO.               | REF. NO. | PART NAME                                 | PARTS PER PUMP | PART NO.                      |
|---------------------------------|--|----------------|------------------------|----------|---|----------------|-------------------------------|
| 1                               | Cap - Relief Valve (R/V)                       | 1              | 411452                 | 14       | Vane - Duravane (Std. - NP)               | 4              | 091219                        |
| 2                               | Adjusting - Screw                              | 1              | 431401                 |          | Vane - Laminate                           |                | 093351                        |
| 4                               | Cover - R/V                                    | 1              | 411401                 |          | Vane - Cast Iron                          |                | 093325                        |
| 5                               | Capscrew - R/V Cover                           | 4              | 920316                 |          | Vane - Bronze                             |                | 093326                        |
| 7                               | Spring Guide - R/V                             | 1              | 423955                 |          | Vane - EC Cast Iron 3                     |                | 093327                        |
| 8                               | Spring - R/V (25-50 psi)                       | 1              | 471415                 |          | Vane - EC Bronze (Std. - NPJ)3            |                | 093328                        |
|                                 | Spring - R/V (51-75 psi) (Std.)                |                | 471420                 |          | 20  |                | Head & Bushing Asy. - Inboard |
|                                 | Spring - R/V (76-100 psi)                      |                | 471425                 | 20A      | Head & Bushing Asy. - Inboard (Jacketed)  | 1              | 031256                        |
|                                 | Spring - R/V (101-150 psi)                     |                | 471430                 | 21       | Capscrews - Head                          | 16             | 920331                        |
|                                 | SS Spring - R/V (25-50 psi) 1                  |                | 471417                 | 23       | Head & Bushing Asy. - Outboard            | 1              | 031253                        |
|                                 | SS Spring - R/V (51-75 psi) 1                  |                | 471418                 | 23A      | Head & Bushing Asy. - Outboard (Jacketed) | 1              | 031257                        |
|                                 | SS Spring - R/V (76-100 psi) 1                 |                | 471427                 | 24       | Sleeve Bearing                            | 2              | 161200                        |
| SS Spring - R/V (101-150 psi) 1 | 471429   | 26             | Gasket - Bearing Cover | 1        | 381215#                                   |                |                               |
| 9                               | Valve - R/V                                    | 1              | 451416                 | 27       | Bearing Cover                             | 1              | 041215                        |
| 10                              | Gasket - R/V Cover (Fiber)                     | 1              | 531421#                | 28       | Capscrews - Bearing Cover                 | 4              | 920178                        |
| 12                              | Cylinder                                       | 1              | 021203                 | 35       | Key - Shaft                               | 1              | 909130                        |
| 13                              | Rotor & Shaft (Std. - NP)<br>(1" X 11¼")       | 1              | 261213                 | 73       | Gage Plug                                 | 2              | 908195                        |
|                                 | EC Rotor & Shaft (Std. - NPJ)<br>(1" X 11¼") 3 |                | 261215                 | 77       | Push Rod                                  | 2              | 123305                        |
|                                 | Rotor & Shaft (1¼" X 14½") 2                   |                | 261217                 | 88       | Gasket - R/V Cap                          | 1              | 701981#                       |
|                                 | EC Rotor & Shaft<br>(1¼" X 14½") 2,3           |                | 261219                 |          | Gasket Repair Kit                         |                | 891242                        |

# Parts included in Gasket Repair Kit.

1 Optional Stainless Steel Spring (Over 300°F/149°C).

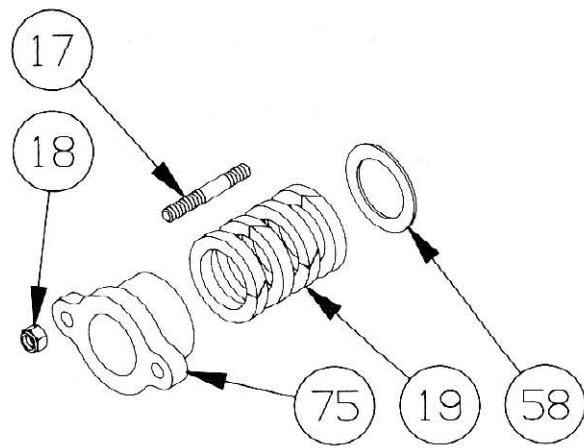
2 Used for V-Belt drive. A commercial shaft support bearing must be added.

3 Use for viscosities over 20,000 SSU, (4250 Cs) and/or jacket option. (Indicated by markings on outboard shaft ends and on vanes).

**PARTS LIST NO. 185/F2**

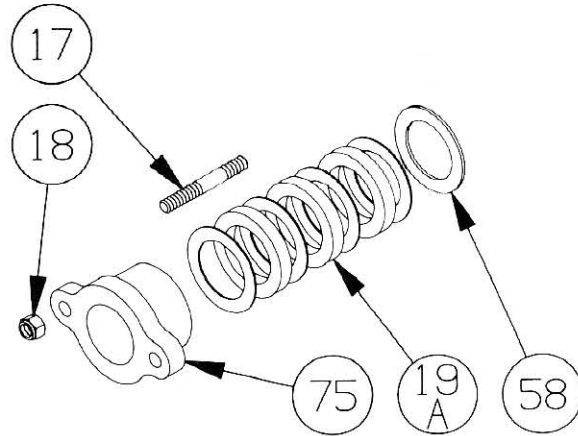
**NP(J)1½ - PACKING - STANDARD**

| REF. NO. | PART NAME                   | PARTS PER PUMP | PART NO. |
|----------|-----------------------------|----------------|----------|
| 17       | Stud - Packing Follower     | 2              | 921450   |
| 18       | Nut - Packing Follower Stud | 2              | 922428   |
| 19       | Packing                     | 1              | 323376   |
| 58       | Pack Washer                 | 1              | 353307   |
| 75       | Packing Follower            | 1              | 141205   |



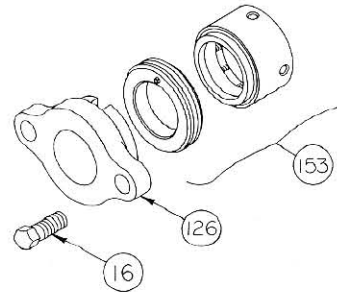
**NP(J)1½ - TEFLON LIP SEAL - OPTIONAL**

| REF. NO. | PART NAME                   | PARTS PER PUMP | PART NO. |
|----------|-----------------------------|----------------|----------|
| 17       | Stud - Packing Follower     | 2              | 921450   |
| 18       | Nut - Packing Follower Stud | 2              | 922428   |
| 19A      | Lip Seal                    | 1              | 331278   |
| 58       | Pack Washer                 | 1              | 353307   |
| 75       | Packing Follower            | 1              | 141205   |



**NP(J)1½ - MECHANICAL SEAL - OPTIONAL**

| REF. NO. | PART NAME                    | PARTS PER PUMP | PART NO. |
|----------|------------------------------|----------------|----------|
| 16       | Capscrew - Seal Retainer     | 2              | 920316   |
| 126      | Retainer - Seal              | 1              | 141206   |
| 153      | Mechanical Seal - (Crane #9) | 1              | 331276   |



**OPTIONAL PARTS FOR SHEAR SENSITIVE LIQUIDS - NP1½ MODEL**  
(Must be used as a group)

| REF. NO. | PART NAME                       | PARTS PER PUMP | PART NO. |
|----------|---------------------------------|----------------|----------|
| 13       | Rotor & Shaft (Std.)(1" x 11¼") | 1              | 261200   |
| 14       | Vane - EC Cast Iron             | 4              | 093327   |
| 20       | Head & Bushing Asy. - Inboard   | 1              | 031254   |
| 23       | Head & Bushing Asy. - Outboard  | 1              | 031255   |

**OPTIONAL PARTS FOR SHEAR SENSITIVE LIQUIDS - NPJ1½ MODEL**  
(Must be used as a group)

| REF. NO. | PART NAME                       | PARTS PER PUMP | PART NO. |
|----------|---------------------------------|----------------|----------|
| 13       | Rotor & Shaft (Std.)(1" x 11¼") | 1              | 261200   |
| 14       | Vane - EC Cast Iron             | 4              | 093327   |
| 20       | Head & Bushing Asy. - Inboard   | 1              | 031258   |
| 23       | Head & Bushing Asy. - Outboard  | 1              | 031259   |