

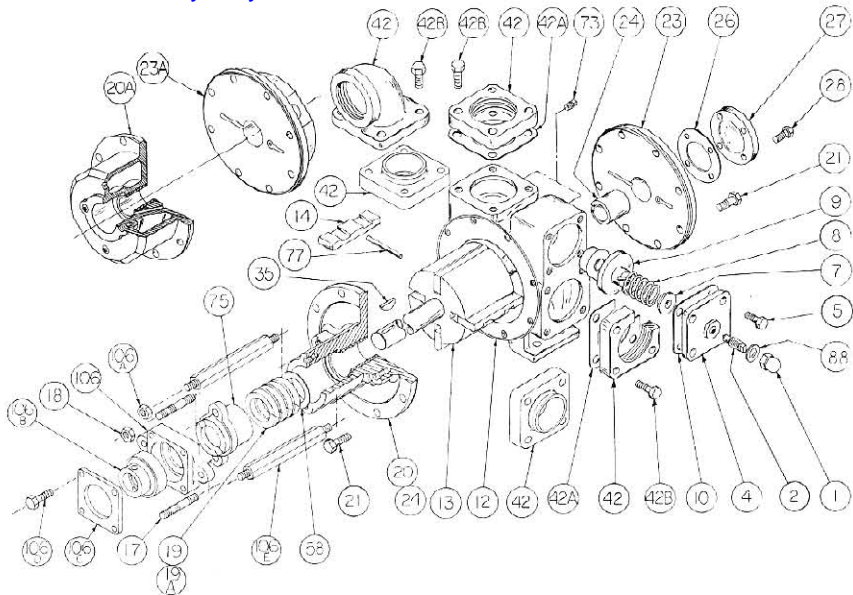
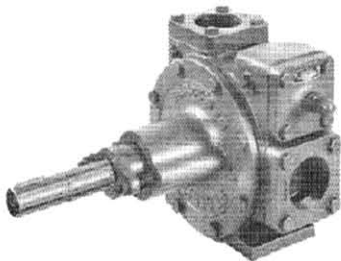
BLACKMER PUMP PARTS LIST

960242
PARTS LIST NO. 185/F3

MODELS: NP2, NPJ2

(See Instructions 185/F for Operation and Maintenance)
Discontinued Models. Parts availability may be limited.

Section 100
Effective November 1988
Replaces August 1978



REF. NO.	PART NAME	PARTS PER PUMP	PART NO.	REF. NO.	PART NAME	PARTS PER PUMP	PART NO.
1	Cap - Relief Valve (R/V)	1	411452	20A	Head & Bushing Asy. - Inboard (Jacketed)	1	031456
2	Adjusting Screw - R/V	1	431401	21	Capscrew - Head	16	920331
4	Cover - R/V	1	411401	23	Head & Bushing Asy. - Outboard	1	031453
5	Capscrew - R/V Cover	4	920316	23A	Head & Bushing Asy. - Outboard (Jacketed)	1	031457
7	Spring Guide - R/V	1	423955	24	Steeve Bearing	2	161400
8	Spring - R/V (25-35 psi)	1	471412	26	Gasket - Bearing Cover	1	381815#
	Spring - R/V (36-50 psi)		471415	27	Bearing Cover	1	041821
	Spring - R/V (51-75 psi) (Std.)		471420	28	Capscrews - Bearing Cover	4	920178
	Spring - R/V (76-110 psi)		471425	35	Key - Shaft	1	909130
	Spring - R/V (111-150 psi)		471428	42	Flange - 2" NPT	1 - 2	651411
	SS Spring - R/V (36-50 psi) 1		471417		Flange - 1 1/2" NPT		651412
	SS Spring - R/V (51-75 psi) 1		471418		Flange - 2" Weld		654406
	SS Spring - R/V (76-110 psi) 1		471427		Flanged Elbow - 2" NPT		651415
SS Spring - R/V (111-150 psi) 1	471429	42A	Gasket - Flange (Fiber - Std.)	2	381405#		
9	Valve - R/V	1	451417		Gasket - Flange (Composition)		381421#
10	Gasket - R/V Cover (Fiber)	1	531421#	42B	Capscrew - NPT/Weld Flange	4 - 8	920351
12	Cylinder	1	021403		Capscrew - Flanged Elbow		920331
13	Rotor & Shaft (1 1/8" X 11 1/4") (Std. - NP)	1	261419	73	Gage Plug	3	908195
	EC Rotor & Shaft (1 1/8" X 11 1/4") (Std. - NPJ) 3		261421	77	Push Rod	2	123905
	Rotor & Shaft (1 3/16" X 14 1/2") 2		261423	88	Gasket - R/V Cap	1	701981#
	EC Rotor & Shaft (1 3/16" X 14 1/2") 2,3		261425		Shaft Support Bearing Kit		891469
14	Vane - Duravane (Std. - NP)	4	091419	106	Flange - Bearing	1	652251
	Vane - Laminate		091427	106A	Locknut - Bearing Flange	2	922428
	Vane - Cast Iron		093921	106B	Bearing & Collar Asy.	1	903128
	Vane - Bronze		093922	106C	Cover - Bearing Flange	1	651853
	Vane - EC Laminate 3		091429	106D	Capscrew - Bearing Flange	4	920178
	Vane - EC Cast Iron 3		093923	106E	Rod - Flange	2	651452
	Vane - EC Bronze (Std. - NPJ) 3		093924		Gasket Repair Kit		891457
20	Head & Bushing Asy. - Inboard	1	031452				

Parts included in Gasket Repair Kit.

1 Optional Stainless Steel Spring (Over 300°F/149°C).

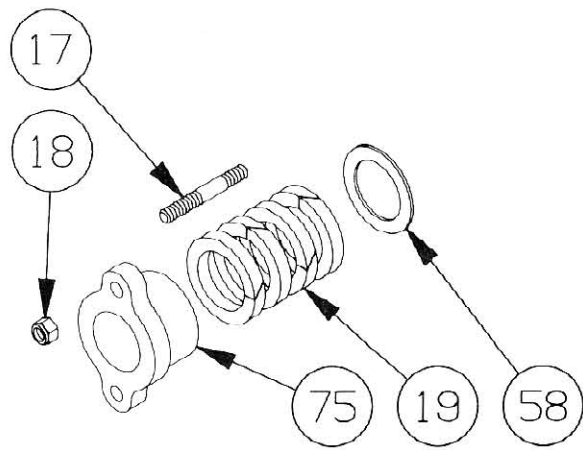
2 Used for V-Belt drive. A commercial shaft support bearing must be added.

3 Use for viscosities over 20,000 SSU (4250 Cs), and/or jacket option. (Indicated by markings on outboard shaft ends and on vanes).

PARTS LIST NO. 185/F4

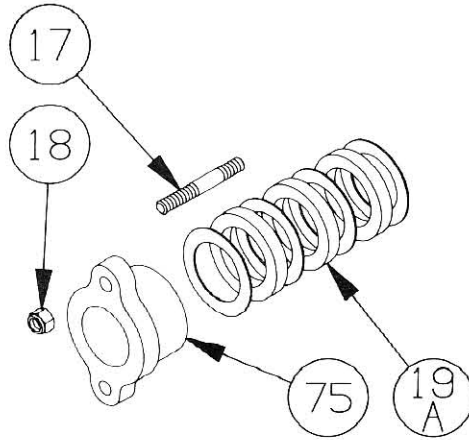
NP(J)2 - PACKING - STANDARD

REF. NO.	PART NAME	PARTS PER PUMP	PART NO.
17	Stud - Packing Follower	2	921450
18	Nut - Packing Follower Stud	2	922428
19	Packing	1	323976
58	Pack Washer	1	353907
75	Packing Follower	1	141401



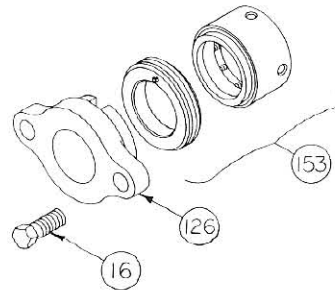
NP(J)2 - TEFLON LIP SEAL - OPTIONAL

REF. NO.	PART NAME	PARTS PER PUMP	PART NO.
17	Stud - Packing Follower	2	921450
18	Nut - Packing Follower Stud	2	922428
19A	Lip Seal	1	331478
75	Packing Follower	1	141401



NP(J)2 - MECHANICAL SEAL - OPTIONAL

REF. NO.	PART NAME	PARTS PER PUMP	PART NO.
16	Capscrew - Seal Retainer	2	920316
126	Retainer - Seal	1	141400
153	Mechanical Seal - (Crane #9)	1	331635



OPTIONAL PARTS FOR SHEAR SENSITIVE LIQUIDS - NP2 MODEL

(Must be used as a group)

REF. NO.	PART NAME	PARTS PER PUMP	PART NO.
13	Rotor & Shaft (1 1/8" X 1 1/4")	1	261400
14	Vane - EC Iron	4	093923
20	Head & Bushing Asy. - Inboard	1	031454
23	Head & Bushing Asy. - Outboard	1	031455

OPTIONAL PARTS FOR SHEAR SENSITIVE LIQUIDS - NPJ2 MODEL

(Must be used as a group)

REF. NO.	PART NAME	PARTS PER PUMP	PART NO.
13	Rotor & Shaft (1 1/8" X 1 1/4")	1	261400
14	Vane - EC Iron	4	093923
20	Head & Bushing Asy. - Inboard	1	031458
23	Head & Bushing Asy. - Outboard	1	031459