

BLACKMER PUMP PARTS LIST

MODEL: SNP3

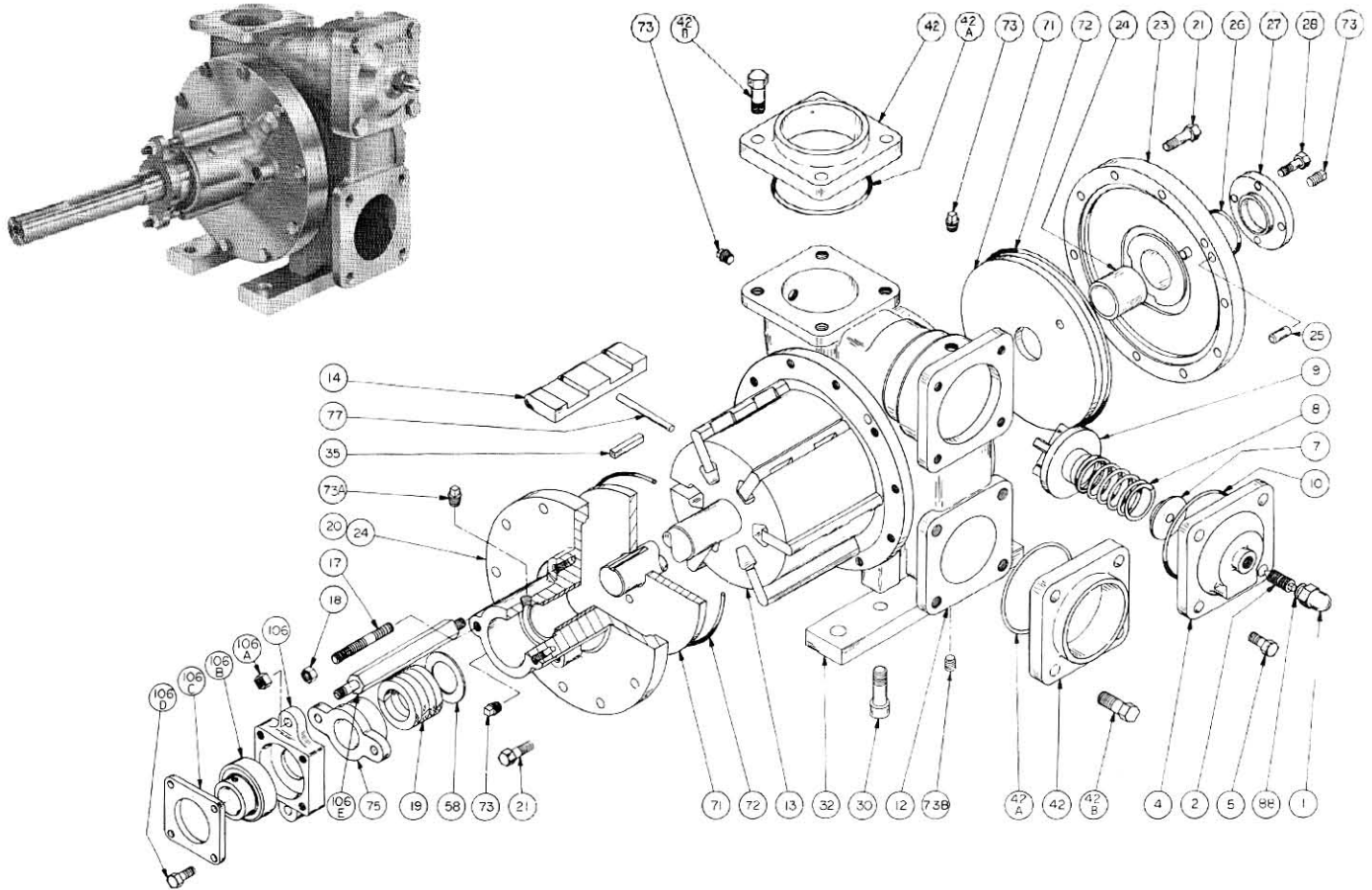
(See Instructions 185/J for Operation and Maintenance)

Discontinued Models. Parts availability may be limited.

960259

PARTS LIST NO. 185/J7

Section	100
Effective	November 1988
Replaces	November 1982



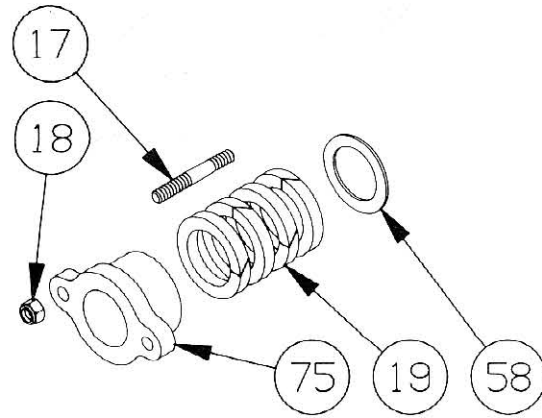
REF. NO.	PART NAME	PARTS PER PUMP	PART NO.	REF. NO.	PART NAME	PARTS PER PUMP	PART NO.
1	Cap - Relief Valve (R/V)	1	413151	28	Capscrews - Bearing Cover	4	920179
2	Adjusting Screw - R/V	1	433101	30	Screws - Foot Bracket	4	920466
4	Cover - R/V	1	412201	32	Foot Bracket	2	832201
5	Capscrews - R/V Cover	4	920489	35	Key - Shaft	1	909183
7	Spring Guide - R/V	1	422201	42	Flange - 3" Weld	2	652201
8	Spring - R/V (51-110 psi)	1	471807	42A	Seal Ring - Flange	2	532201#
	Spring - R/V (111-150 psi)		471808	42B	Capscrew - Flange	8	920489
9	Valve - R/V	1	452201	71	Disc	2	062203
10	Seal Ring - R/V Cover	1	532201#	72	Seal Ring - Head	2	382201#
12	Cylinder	1	022201	73	Drain Plug (1/4")	4	908193
13	Rotor & Shaft	1	262201	73A	Plug (1/8")	1	908183
14	Vane - Duravane (Std.)	6	091819	73B	Plug (1/4")	1	908192
	Vane - Laminate		091809	77	Push Rod	3	122201
	Vane - EC Laminate		091829	88	Gasket - R/V Cap	1	533101#
	Vane - Carbon		092213		Shaft Support Bearing Kit		892226
20	Head & Bushing Asy. - Inboard	1	032203	106	Flange - Bearing	1	652251
21	Capscrews - Head	20	920365	106A	Locknut - Bearing Flange	2	922428
23	Head & Bushing Asy. - Outboard	1	032204 -	106B	Bearing & Collar Asy.	1	903121
24	Sleeve Bearing	2	161600	106C	Cover - Bearing Flange	1	652253
25	Dowel Pin - Head	6	930570	106D	Capscrews - Bearing Flange	4	920179
26	Seal Ring - Bearing Cover	1	382211#	106E	Rod - Flange	2	652252
27	Bearing Cover	1	042201		Gasket Repair Kit		892225

Parts Included in Gasket Repair Kit.

PARTS LIST NO. 185/J8

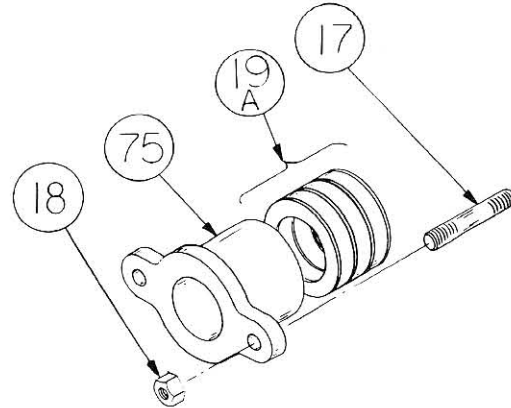
SNP3 - SHAFT PACKING - STANDARD

REF. NO.	PART NAME	PARTS PER PUMP	PART NO.
17	Stud - Packing Follower	2	921441
18	Locknut - Packing Follower Stud	2	922416
19	Packing	1	322201
58	Packing Washer	1	352201
75	Packing Follower	1	142201



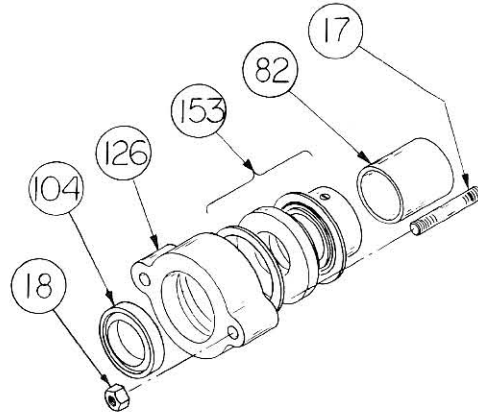
SNP3 - TEFLON LIP SEAL - OPTIONAL

REF. NO.	PART NAME	PARTS PER PUMP	PART NO.
17	Stud - Packing Follower	2	921441
18	Locknut - Packing Follower Stud	2	922416
19A	Lip Seal Assembly	1	332279
75	Packing Follower	1	142201



SNP3 - MECHANICAL SEAL - OPTIONAL

REF. NO.	PART NAME	PARTS PER PUMP	PART NO.
17	Stud - Retainer	2	921441
18	Locknut - Retainer Stud	2	922416
82	Spacer - Seal	1	372202
104	Oil Seal	1	904202
126	Retainer - Seal	1	332210
153	Mechanical Seal Assembly - Crane Type 9	1	332203



SNP3 - MECHANICAL SEAL - OPTIONAL

REF. NO.	PART NAME	PARTS PER PUMP	PART NO.
17	Stud - Retainer	2	921441
18	Locknut - Retainer Stud	2	922416
82	Spacer - Seal	1	372202
104	Oil Seal	1	904202
123	Gasket - Seal Retainer	1	385380
126	Retainer - Seal	1	335310
153	Mechanical Seal Assembly - Durametallie	1	332200

