

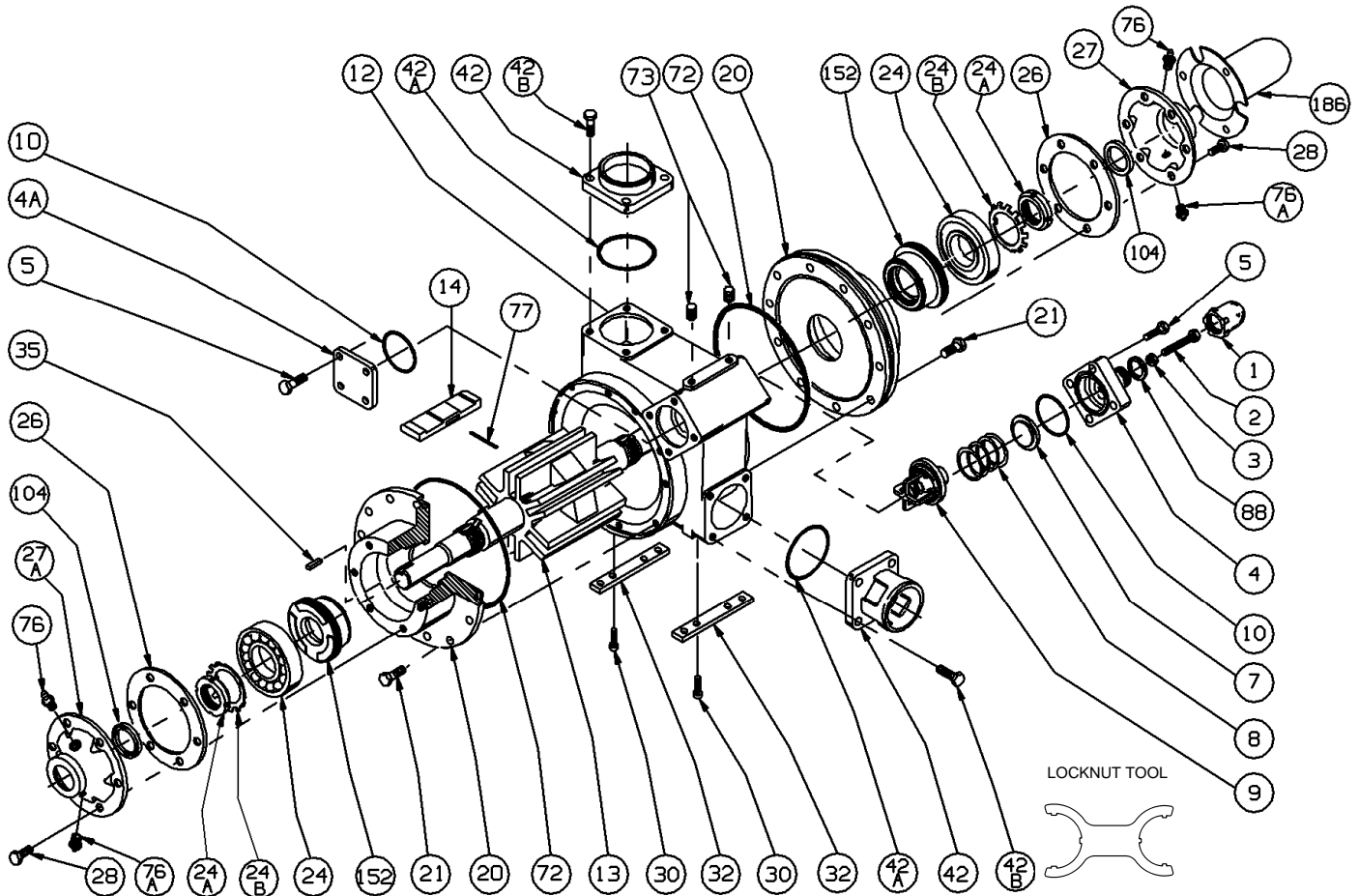
# BLACKMER PARTS LIST

## PUMP MODELS: TX400B

961905      **PARTS LIST**  
Page 1 of 2      **205-A02**

Keep with Instructions 205-A00 for Installation, Operation and Maintenance

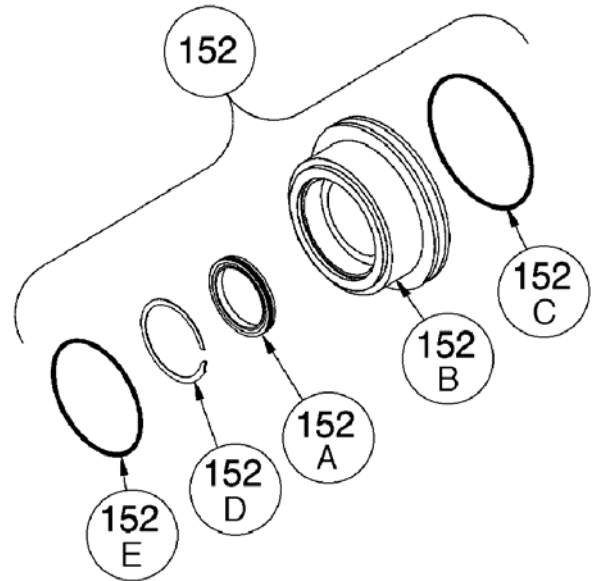
Section    205  
Effective   Feb 2014  
Replaces   Sept 2009



Ref. No.	Description	Parts per Pump	Part No.	Ref. No.	Description	Parts per Pump	Part No.
1	Cap - Relief Valve (R/V)	1	413957	27	Bearing Cover - Outboard	0 - 1	041817
2	Adjusting Screw - R/V	1	435109	27A	Bearing Cover - Inboard	1 - 2	041815
3	Locknut - Adjusting Screw	1	922923	28	Capscrews - Bearing Cover	12	920285
4	Cover - R/V	1	411868	30	Capscrews - Foot Bracket	4	920466
4A	Blanking Plate - R/V	1	411905	32	Foot Bracket	2	832201
5	Capscrew - R/V Cover /Blanking Plate	8	920381	35	Key - Shaft	1	909178
7	Spring Guide - R/V	1	426907	42	Flange - 3" Weld	1	652007
8	Spring - R/V (76-110 psi)	1	471832		Flange - 4" Weld		652005
	Spring - R/V (111-125 psi)		476908	42A	O-Ring - Flange (Buna-N)	2	701937
	Spring - R/V (36-75 psi)		471900		O-Ring - Flange (FKM)		701968
9	Valve - R/V (Plated)	1	451907	42B	Capscrews - Flange	8	920640
10	O-Ring - R/V Cover/ Blanking Plate (Buna-N)	2	701936	72	O-Ring - Head (Buna-N)	2	701944
	O-Ring - R/V Cover/ Blanking Plate (FKM)		711931		O-Ring - Head (FKM)		711938
12	Cylinder	1	021900	73	Gage Plug	2	908198
13	Rotor & Shaft (Dbl Ended) (Includes 24A & 24B)	1	261910	76	Grease Fitting	2	317815
14	Vane - Duravane	6	091915	76A	Grease Relief Fitting	2	701992
	Vane - Laminate		091918	77	Push Rod	3	121900
20	Head	2	031815	88	Gasket - R/V Cap	1	533908
21	Capscrews - Head	20	920369	104	Grease Seal	2	331908
24	Ball Bearing	2	903172	186	Shaft Protector	1	341801
24A	Locknut - Bearing	2	903523	152	Lip Seal Asy.	2	See Back
24B	Lockwasher - Bearing	2	903524		Tool - Locknut		903091
26	Gasket - Bearing Cover	2	381817				

**LIP SEAL - STANDARD**

Ref. No.	Part Name	Parts Per Pump	Part No.
152	Lip Seal Complete - Lip Seal, Housing w/ Buna-N O-Rings.	2	331760
	Lip Seal Complete - Lip Seal, Housing w/ FKM O-Rings.		331761
152A	Lip Seal w/FKM O-Ring	2	331763
152B	Housing - Lip Seal	2	331877
152C	Outer O-Ring - Housing (Buna-N)	2	701936
	Outer O-Ring - Housing (FKM)		711931
152D	Retaining Ring - Lip Seal	2	903561
152E	Inner O-Ring - Housing (Buna-N)	2	702004
	Inner O-Ring - Housing (FKM)		702086



**MECHANICAL SEAL - OPTIONAL**

Ref. No.	Part Name	Parts Per Pump	Part No.
153	Mechanical Seal Complete - Cast Iron Stationary Seat, Bronze Seal Face, FKM O-Rings. (IVBV)	2	331881
153D	O-Ring - Stationary (FKM)	2	711931
153L	O-Ring - Rotating (FKM)	2	701962

