

BLACKMER PARTS LIST

**Pump Models: LGL156C, LGL158C
and Discontinued LGL154C**

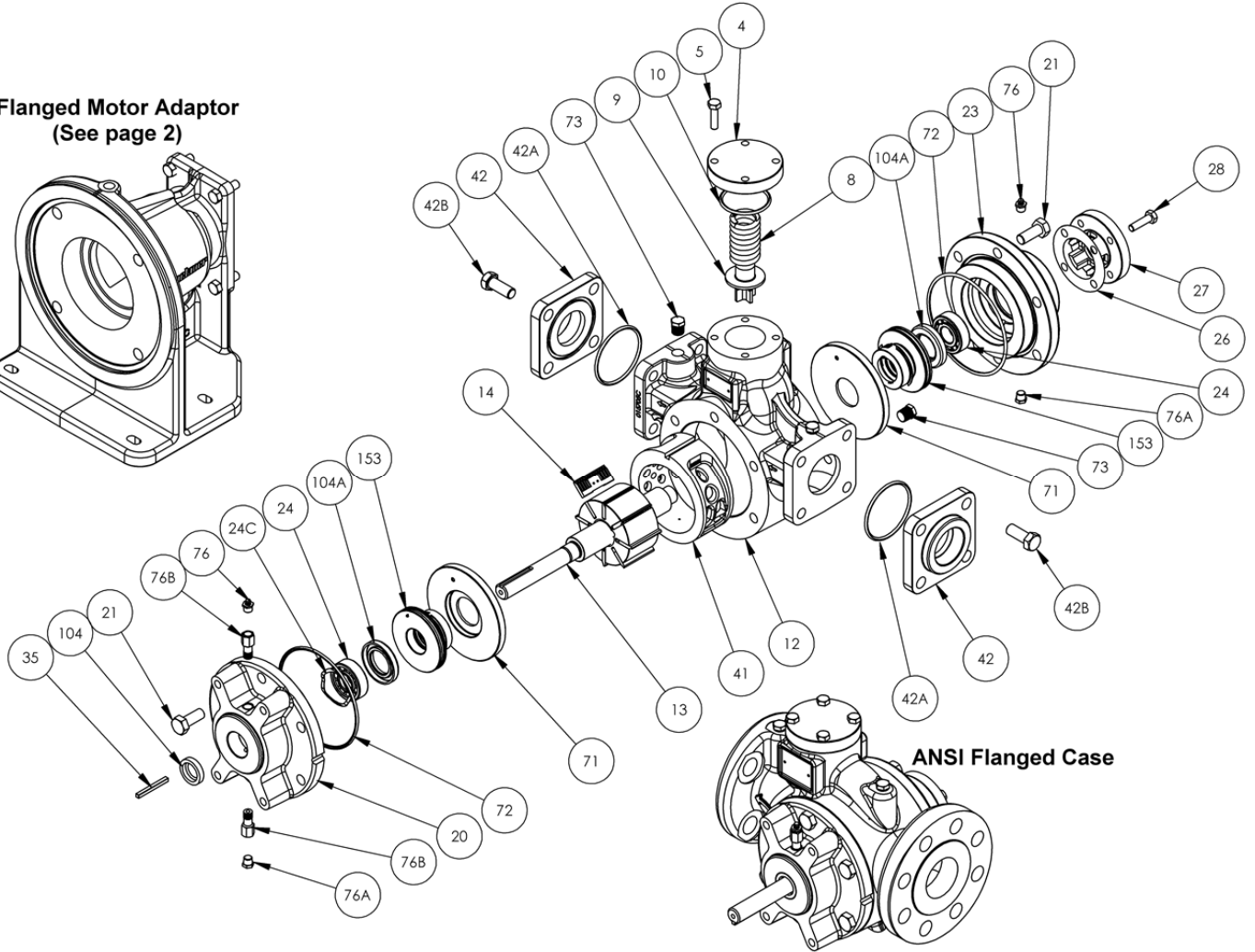
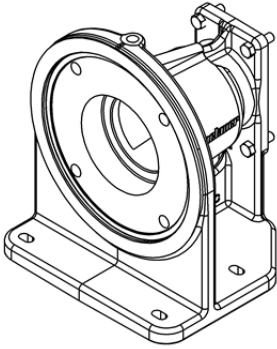
Keep with Installation, Operation and Maintenance Instructions 501-K00

960438
Page 1 of 4

**PARTS LIST
501-K01**

Section 501
Effective Oct 2015
Replaces Jul 2014

**Flanged Motor Adaptor
(See page 2)**



ANSI Flanged Case

| Ref. No. | Description | Parts Per Pump | Part No. | Ref. No. | Description | Parts Per Pump | Part No. |
|----------|--|----------------|---------------------|----------|--------------------------------------|----------------|---------------------|
| 4 | Cover - Relief Valve (R/V) | 1 | 415701 | 35 | Key - Shaft | 1 | ¹ 909153 |
| 5 | Capscrews - R/V Cover | 4 | 920122 | 41 | Liner (LGL158) | 1 | 185701 |
| 8 | Spring - R/V (225 psi) | 1 | 471400 | | Liner (LGL156) | | 185710 |
| 9 | Valve - R/V | 1 | 455701 | | Liner (LGL154) | | 185711 |
| 10 | O-Ring - R/V Cover | 1 | ¹ 711924 | 42 | Flanges | | See page 3 |
| 12 | Casing - 4 Bolt Flange | 1 | 015705 | 71 | Disc | 2 | ¹ 065701 |
| | Casing - ANSI Flange | | 015702 | 72 | O-Ring - Head | 2 | ¹ 702169 |
| 13 | Rotor & Shaft Asy. | 1 | 265703 | 73 | Gage Plug | 2-4 | 908198 |
| 14 | Vane - Duravane | 8 | ¹ 094860 | 74 | Key - Liner | 1 | 909177 |
| 20 | Head Inboard | 1 | 035705 | 76 | Grease Fitting | 2 | 317815 |
| 21 | Capscrews - Head | 12 | 920468 | 76A | Grease Relief Fitting | 2 | 701992 |
| 23 | Head Outboard | 1 | 035703 | 76B | Grease Fitting Extension | 2 | 701905 |
| 24 | Ball Bearing | 2 | ¹ 903148 | 104 | Grease Seal - Outer | 1 | ¹ 331921 |
| 24C | Bearing Spring | 1 | ¹ 903187 | 104A | Grease Seal - Inner | 2 | ¹ 335702 |
| 26 | Shim Kit (6 ea: .002", .005" & .010") | Varies | ¹ 905172 | — | Kit - Maintenance | — | 899222 |
| 27 | Bearing Cover | 1 | 045701 | — | Priming Valve | — | 455750 |
| 28 | Capscrews - Bearing Cover | 4 | 920122 | | (for Underground Tank Installations) | | |

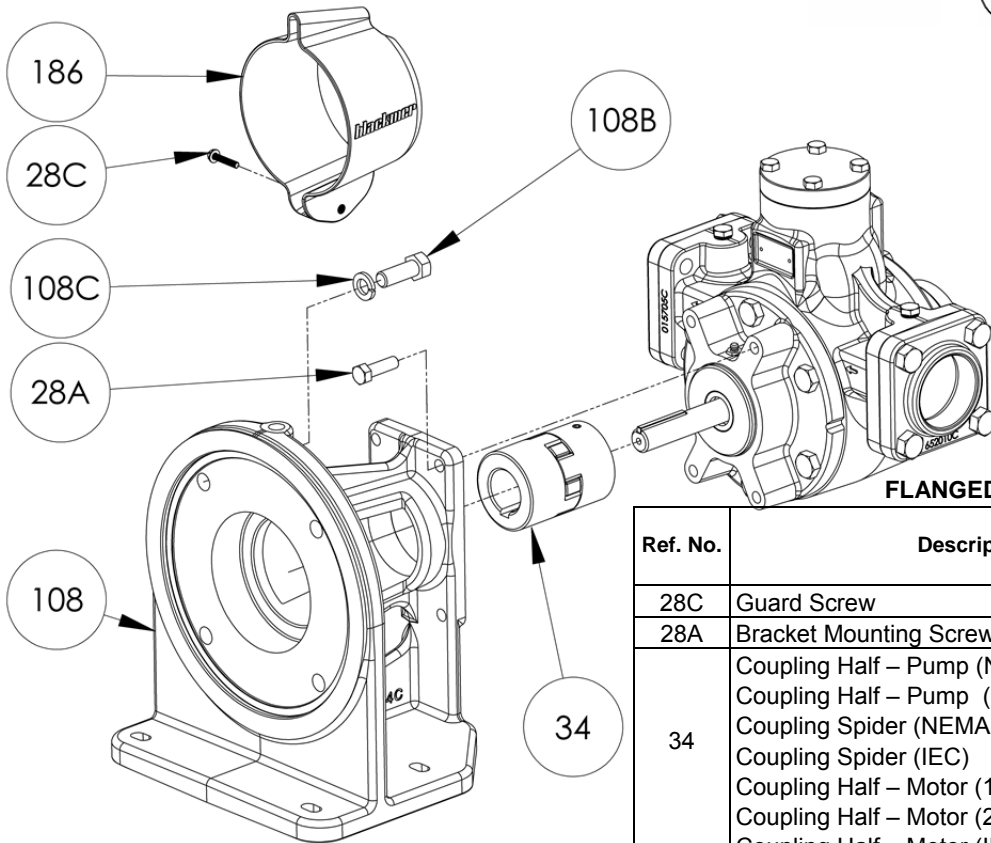
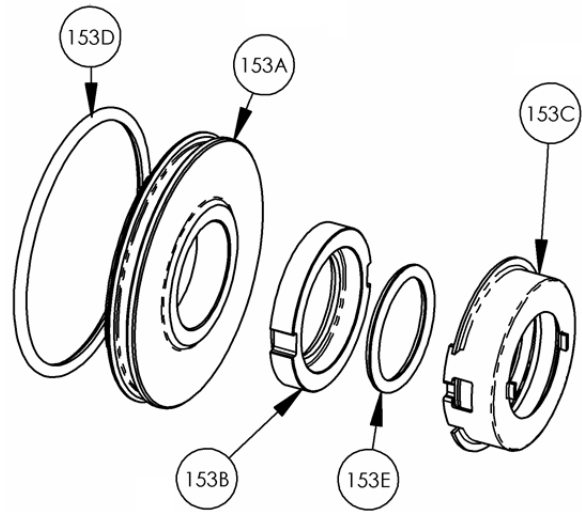
¹ Included in Maintenance Kit.

MECHANICAL SEAL – LPG

| Ref. No. | Description | Parts Per Pump | Part No. |
|----------|---------------------------------|----------------|---------------------|
| 153 | Mechanical Seal Assembly - SNCN | 2 | ¹ 335703 |
| 153A | Stationary Seat (Steel) | 2 | ** |
| 153B | Seal Face (Carbon) | 2 | ** |
| 153C | Jacket Assembly | 2 | ** |
| 153D | O-Ring - Stationary (Buna-N) | 2 | 701934 |
| 153E | O-Ring Rotating (Buna-N) | 2 | 711917 |

¹ Included in Maintenance Kit and Rebuild Kit

** Mechanical Seal Ref. No. 153 is only sold as a complete assembly. Ref. Nos. 153A, 153B & 153C are not available as separate replacement parts.



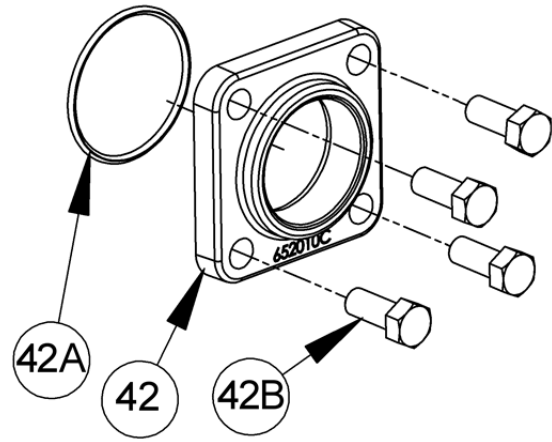
FLANGED MOTOR ADAPTOR

| Ref. No. | Description | Parts per Pump | Part No. |
|----------|--|----------------|----------|
| 28C | Guard Screw | 1 | 920026 |
| 28A | Bracket Mounting Screws | 4 | 920359 |
| 34 | Coupling Half – Pump (NEMA) | 1 | 906033 |
| | Coupling Half – Pump (IEC) | | 906181 |
| | Coupling Spider (NEMA) | 1 | 906034 |
| | Coupling Spider (IEC) | | 906178 |
| | Coupling Half – Motor (182TC, 184TC, 215C) | 1 | 906164 |
| | Coupling Half – Motor (213TC, 215TC) | | 906032 |
| | Coupling Half – Motor (IEC 112) | | 906180 |
| | Coupling Half - Motor (IEC 132) | | 906179 |
| 108 | Mounting Bracket – NEMA | 1 | 833004 |
| | Mounting Bracket – IEC 100/112 B5 | | 833005 |
| | Mounting Bracket – IEC 132 B14 | | 833006 |
| 108B | Motor Mounting Screw (NEMA) | 4 | 098277 |
| | Motor Mounting Screw (IEC 100/112) | | 920055 |
| | Motor Mounting Screw (IEC 132) | | 920050 |
| 108C | Lockwasher (NEMA) | 4 | 909706 |
| | Lockwasher (IEC 100/112) | | 909707 |
| | Lockwasher (IEC132) | | 793095 |
| 186 | Guard | 1 | 804120 |



FLANGE OPTIONS (4 Bolt flange cases)

| Ref. No. | Description | Parts per Pump | Part No. |
|----------|-----------------------------|----------------|----------|
| 42 | Flange – 2" NPT | 0 2 | 652010 |
| | Flange – 2" Slip-on Weld | | 652024 |
| | Flange – 2" Socket Weld El | | 655109 |
| | Flange – 1.5" NPT | | 652028 |
| | Flange – 1.5" Slip-on Weld | | 652026 |
| | Flange – 1.25" NPT | | 652029 |
| | Flange – 1.25" Slip-on Weld | | 652027 |
| 42A | O-Ring – Flange (Buna-N) | 2 | 702004 |
| 42B | Capscrews – Flange | 8 | 920491 |

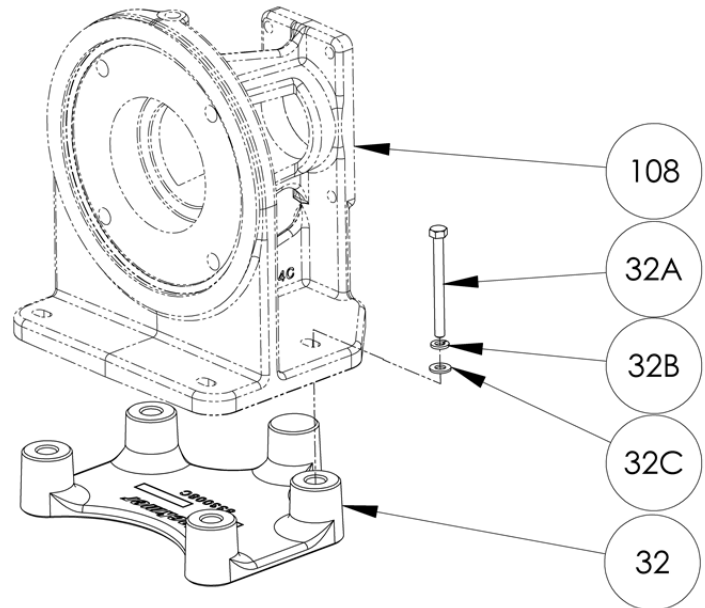


ANSI Flange Kit Part Number 655701 with:

| Description | Qty | Description | Qty |
|---------------------------------------|-----|---|-----|
| Flange, 2" NPS, ANSI 300# RF Threaded | 1 | Flange, 1.5" NPS, ANSI 300# RF Threaded | 1 |
| Gasket 2", 600# | 1 | Gasket 1.5", 600# | 1 |
| Stud 5/8-11 x 3 1/2 | 8 | Stud 3/4-10 x 3 3/4 | 4 |
| Heavy Hex Nut 5/8-11 | 8 | Heavy Hex Nut 3/4-10 | 4 |

OPTIONAL RISER SPACER

| | | | |
|-----|----------------------|---|--------|
| 32 | Bracket Riser | 1 | 833008 |
| 32A | Capscrews - Bracket | 4 | 920246 |
| 32B | Mounting Lockwashers | 4 | 909613 |
| 32C | Mounting Washers | 4 | 790494 |



BLANK



1809 Century Avenue, Grand Rapids, Michigan 49503-1530, U.S.A.
Telephone: (616) 241-1611 / Fax: (616) 241-3752
E-Mail: blackmer@blackmer.com / Internet: www.blackmer.com

Parts List 501-K01
Page 4 of 4