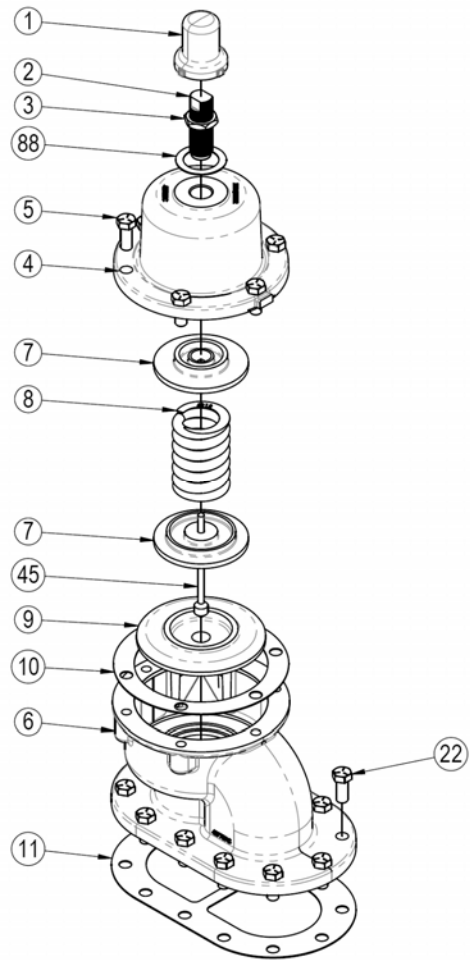




**RELIEF VALVE - OPTIONAL**

Ref. No.	Part Name	Parts Per Pump	Part No.
1	Cap - Relief Valve (R/V)	1	417710
2	Adjusting Screw - R/V	1	437205
3	Locknut - Adjusting Screw	1	436655
4	Cover - R/V	1	417200
5	Capscrews - R/V Cover	6	920639
6	Body - R/V	1	407709
7	Spring Guide - R/V	2	427200
8	Spring - R/V (STE 81-100 psi)	1	476912
	Spring - R/V (STS 101-120 psi)		477204
9	Valve - R/V	1	457215
10	Gasket - R/V Cover	1	536606
22	Capscrews - R/V Body	12	920639
45	Guide Rod - R/V	1	427205
88	Gasket - R/V Cap	1	536652



**MECHANICAL SEAL**

Ref. No.	Part Name	Parts Per Pump	Part No.
153	Mechanical Seal Asy. (UECE)	2	337771
153B	Stationary Seat (Tungsten Carbide)	2	*
153D	O-Ring - Stationary (EPDM)	2	*
153F	Rotating Seal Face (Carbon)	2	*
153G	Holder, Seal Spring	2	*
153H	Spring, Seal	48	*
153J	Screw - Seal Spring Holder	8	*
153L	O-Ring - Rotating (EPDM)	2	*
153N	Retaining Ring, Seal	2	*
154	Assembly, Shaft Sleeve	2	337772
154A	Shaft Sleeve	2	*
154B	O-ring, Shaft Sleeve	2	*
155	Screw, Shaft Sleeve	4	920008

\* Individual seal parts are not available.

