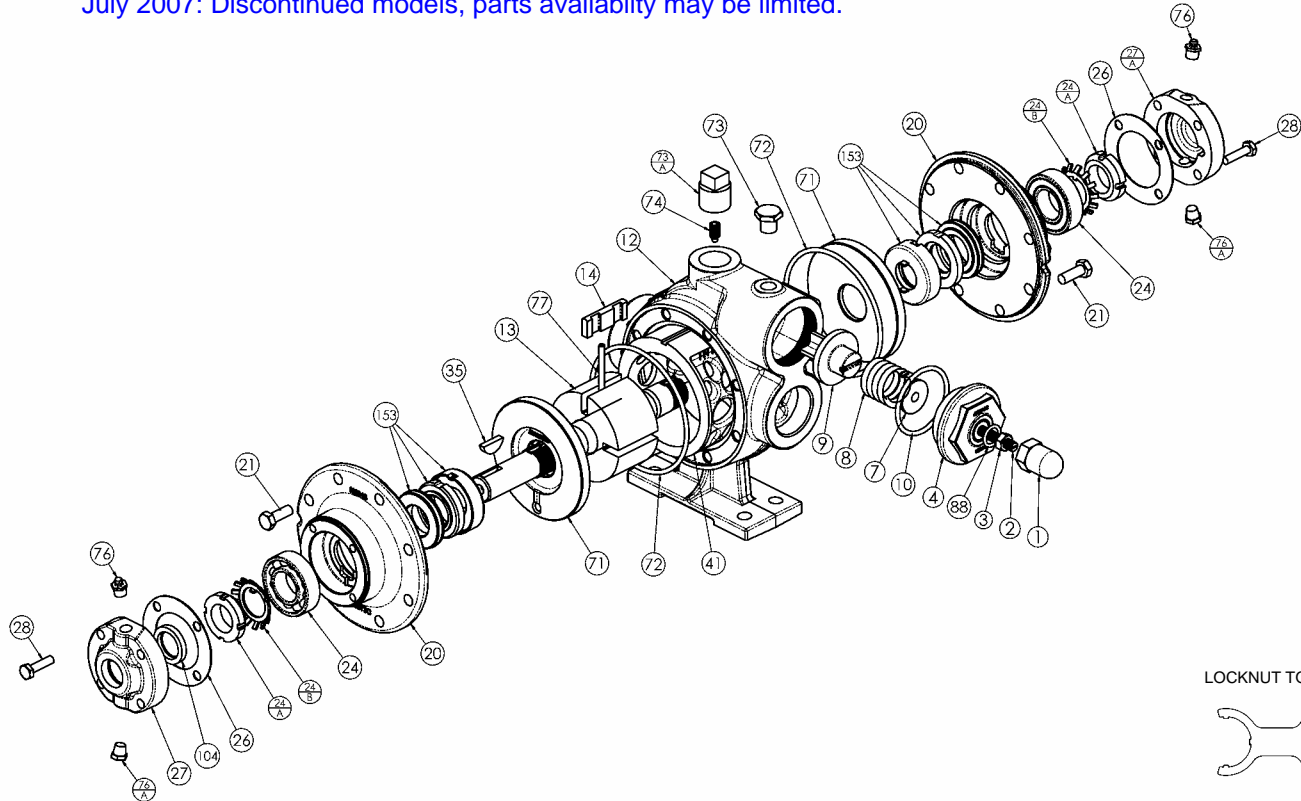


# BLACKMER PARTS LIST

## PUMP MODELS: SGL1.25, SGRL1.25, SGL1.5

(See Instructions 801-A00 for Installation, Operation and Maintenance)  
 July 2007: Discontinued models, parts availability may be limited.

Section 800  
 Effective Jan 2005  
 Replaces August 2003



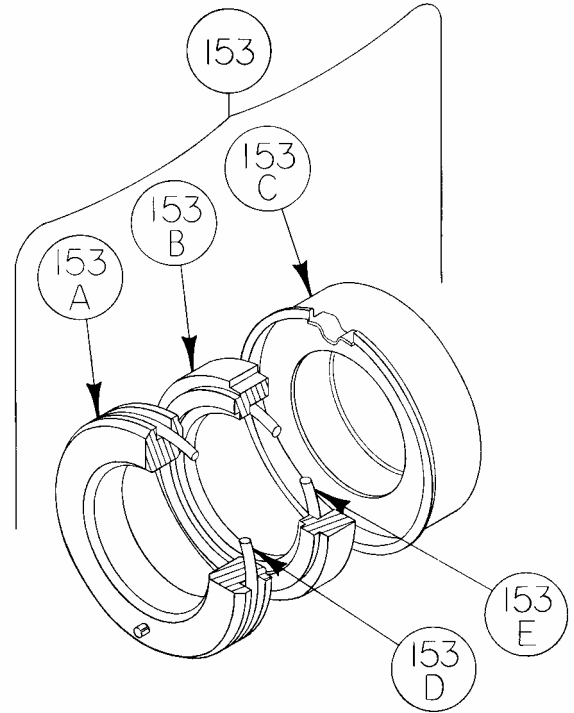
Ref. No.	Description	Parts per Pump	Part No.	Ref. No.	Description	Parts per Pump	Part No.
1	Relief Valve (R/V) Cap	1	413200	28	Bearing Cover Capscrews	8	920080
2	R/V Adjusting Screw	1	433909	35	Shaft Key	1	909125
3	R/V Adjusting Screw Locknut	1	922923	41	Liner – SGRL1.25	1	183003
4	R/V Cover	1	413076		Liner – SGL1.25		<sup>2</sup> 183004
7	R/V Spring Guide	1	423955		Liner – SGL1.5		<sup>2</sup> 183301
8	R/V Spring – (20 – 50 psi)	1	471415	71	Disc	2	<sup>2</sup> 063075
	R/V Spring – (51 – 80 psi) (std)		471420	72	O-Ring Head (HNBR) (std)	2	<sup>1</sup> 702314
	R/V Spring (81 – 150 psi)		471428		O-Ring Head (FKM)		701991
9	R/V Valve	1	453077	O-Ring Head (PTFE)	702066		
	R/V Valve (Nickel Plated)		452300	O-Ring Head (Neoprene)	702005		
10	O-Ring R/V Cover (HNBR) (std)	1	<sup>1</sup> 702306	73	Gage Plug (1/4" NPT)	1	908198
	O-Ring R/V Cover (FKM)		701970	73A	Gage Plug (3/4" NPT) **	1	908225
	O-Ring R/V Cover (PTFE)		702084	74	Liner Setscrew	1	<sup>2</sup> 922088
	O-Ring R/V Cover (Neoprene)		711987	76	Grease Fitting	2	317815
12	Casing – SGL1.25, SGRL1.25	1	013075	76A	Grease Relief Fitting	2	701992
	Casing – SGL1.5		013376	77	Push Rod – SGRL1.25	2	123004
13	Rotor & Shaft (Includes Ref. No's 24A & 24B)	1	<sup>2</sup> 263076		Push Rod – SGL1.25		<sup>1</sup> 123076
	Push Rod – SGL1.5		<sup>1</sup> 123401				
14	Duravane (std)	4	<sup>1</sup> 093088	88	O-Ring R/V Cap (HNBR) (std)	1	<sup>1</sup> 702300
	Laminate Vane		093089		O-Ring R/V Cap (FKM)		701908
20	Head	2	033073		O-Ring R/V Cap (PTFE)		702074
21	Head Capscrews	16	920276		O-Ring R/V Cap (Neoprene)		702006
24	Ball Bearing	2	<sup>1</sup> 903114	104	Grease Seal	1	<sup>1</sup> 331927
24A	Bearing Locknut	2	<sup>2</sup> 903534	—	Tool - Locknut	—	903090
24B	Bearing Lockwasher	2	<sup>1</sup> 903533	—	Kit - Maintenance - SGL1.25	—	898933
26	Bearing Cover Gasket	2	<sup>1</sup> 383075	—	Kit - Maintenance - SGL1.5	—	898934
27	Bearing Cover (Inboard)	1	043070	—	Kit – Rebuild – SG1.25	—	899033
27A	Bearing Cover (Outboard)	1	043071	—	Kit – Rebuild – SG1.5	—	899034

<sup>1</sup> Included in Maintenance Kits and Rebuild Kits    <sup>2</sup> Included in Rebuild Kits. Taper pins used in earlier versions are no longer used.

\*\* Earlier versions of these models have 1/4" gage plugs (PN 908198) or 1/2" gage plugs (PN 908215).

**MECHANICAL SEAL**

Ref. No.	Part Name	Parts Per Pump	Part No.
153	Mechanical Seal Assembly (STD) Hardened Steel Stationary Seat, Custom Carbon Rotating Seal Face, HNBR O-Rings (SJCJ)	2	<sup>1</sup> 332602
	Mechanical Seal Assembly Hardened Steel Stationary Seat, Custom Carbon Rotating Seal Face, FKM O-Rings (SVCV)		332603
	Mechanical Seal Assembly Hardened Steel Stationary Seat, Custom Carbon Rotating Seal Face, PTFE & Kalrez® O-Rings (SACK)		332604
	Mechanical Seal Assembly Hardened Steel Stationary Seat, Custom Carbon Rotating Seal Face, Neoprene O-Rings (SPCP)		332606
	Mechanical Seal Assembly Silicon Carbide Stationary Seat, Custom Carbon Rotating Seal Face, PTFE O-Rings (LACA)		332607
	Mechanical Seal Assembly Silicon Carbide Stationary Seat, Silicon Carbide Rotating Seal Face, Buna-N O-Rings (LNLN)		332334
	153A		Stationary Seat (Hardened Steel) Stationary Seat (Silicon Carbide)
153B	Rotating Seal Face (Custom Carbon)	2	**
153C	Jacket Assembly	2	**
153D	O-Ring – Stationary (HNBR) (STD)	2	702304
	O-Ring – Stationary (FKM)		711908
	O-Ring – Stationary (Neoprene)		711985
	O-Ring – Stationary (PTFE)		702076
153E	O-Ring – Rotating (HNBR) (STD)	2	702301
	O-Ring – Rotating (FKM)		701971
	O-Ring – Rotating (Kalrez®)		702172
	O-Ring – Rotating (Neoprene)		702008
	O-Ring – Rotating (PTFE)		702201



<sup>1</sup> Included in Maintenance Kits and Rebuild Kits

NOTE: Mechanical Seal (Ref No. 153) is only sold as a complete assembly.  
Ref. No.'s 153/A, 153/B, 153/C are not available as separate parts.



1809 Century Avenue, Grand Rapids, Michigan 49503-1530, U.S.A.  
Telephone: (616) 241-1611 / Fax: (616) 241-3752  
E-Mail: blackmer@blackmer.com / Internet: www.blackmer.com

Parts List 801-A01  
Page 2 of 2