

BLACKMER PARTS LIST

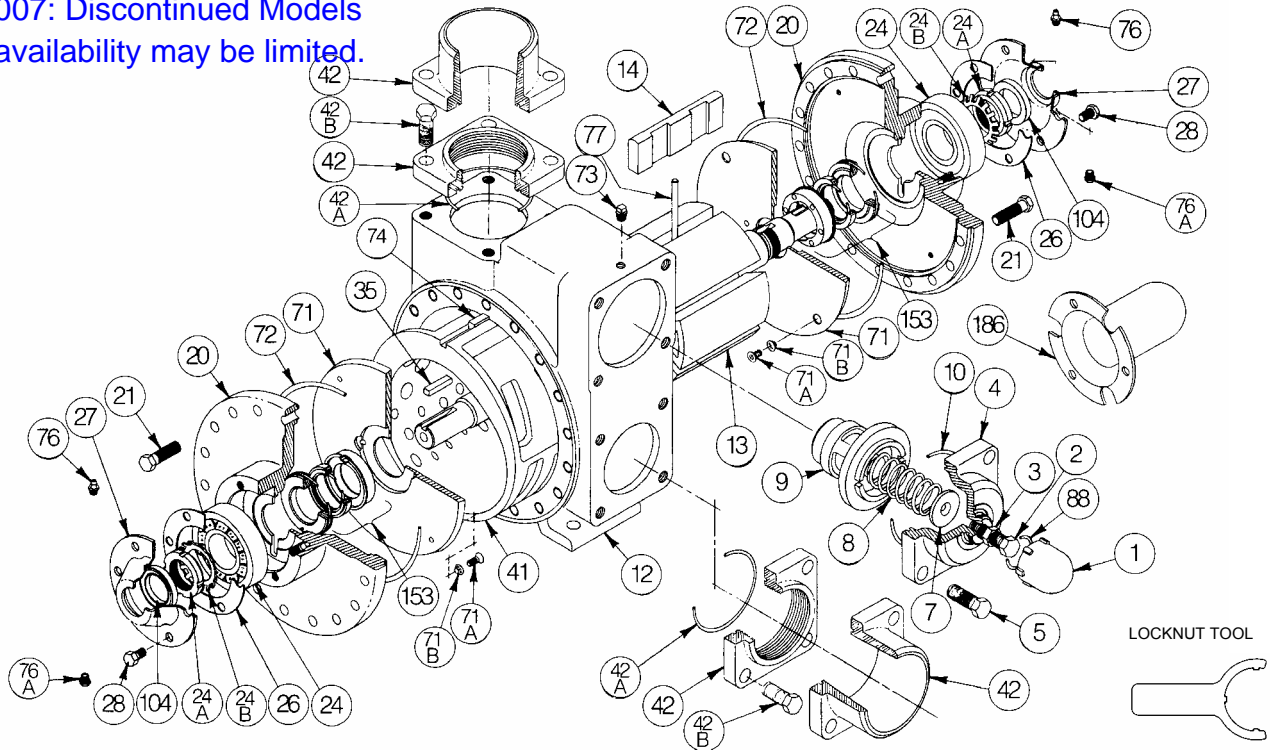
PUMP MODELS: SGLD4A

DISCONTINUED MODELS: SGLD4

(See Instructions 801-B00 for Installation, Operation and Maintenance)

Section 801
Effective August 2003
Replaces December 2002

Aug 2007: Discontinued Models
Parts availability may be limited.



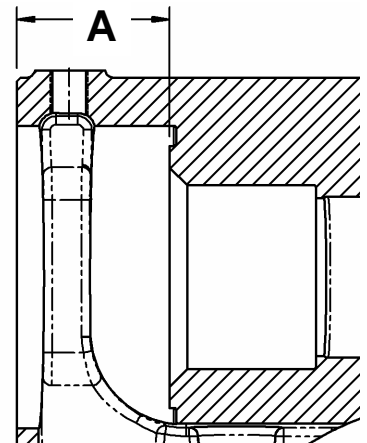
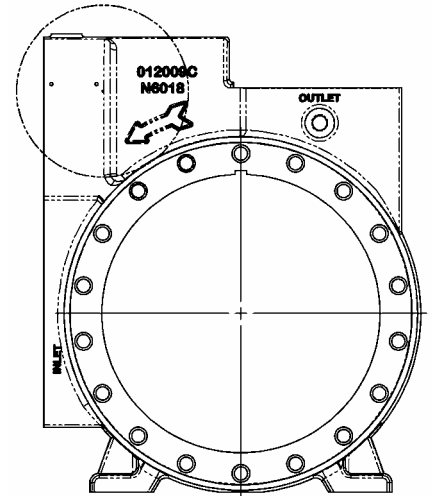
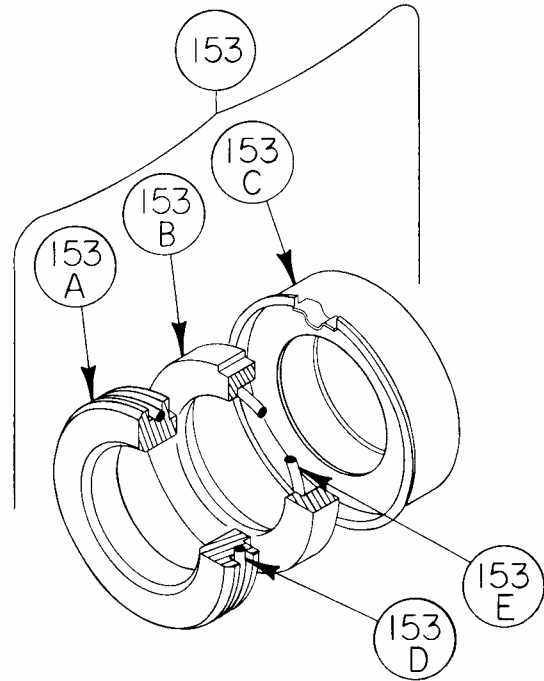
Ref. No.	Description	Parts per Pump	Part No.	Ref. No.	Description	Parts per Pump	Part No.	
1	Relief Valve (R/V) Cap	1	413952	42	NPT Flange – 3"	1-2	652012	
2	R/V Adjusting Screw	1	NOTE 1		Weld Flange – 3"		652007	
3	R/V Adjusting Screw Locknut	1	NOTE 1		Weld Flange – 4"		652005	
4	R/V Cover	1	412001	42A	O-Ring Flange (HNBR)(STD)	2	¹ 702313	
5	R/V Cover Capscrews	4	920663		O-Ring Flange (FKM)		701968	
7	R/V Spring Guide	1	426355		O-Ring Flange (PTFE)		702101	
8	R/V Spring (35-50 psi)	1	NOTE 1		O-Ring Flange (Neoprene)		702011	
	R/V Spring (51-75 psi) (STD)		NOTE 1	42B	Capscrew – NPT Flange	8	920663	
	R/V Spring (76-125 psi)		NOTE 1		Capscrew – Weld Flange		920640	
	R/V Spring (126-150 psi)		NOTE 1	71	Disc	2	² 062039	
9	R/V Valve	1	452001	71A	Machine Screw – Disc	8	² 920015	
10	O-Ring R/V Cover (HNBR) (STD)	1	¹ 702315	71B*	Lockwasher – Disc	8	² 909634	
	O-Ring R/V Cover (FKM)		711909		O-Ring Head (HNBR) (STD)		¹ 702321	
	O-Ring R/V Cover (PTFE)		702099	72	O-Ring Head (FKM)	2	702106	
	O-Ring R/V Cover (Neoprene)		702012		O-Ring Head (PTFE)		702089	
12	Casing	1	NOTE 1		O-Ring Head (Neoprene)		702267	
13	Rotor & Shaft (Includes 24A & 24B)	1	² 262024	73	Gage Plug (1/4" NPT)	2	908198	
14	Duravane (STD)	6	¹ 092019	74	Key – Liner	1	² 182040	
	Laminate Vane		092026	76	Grease Fitting	2	317815	
20	Head	2	032039	76A	Grease Relief Fitting	2	701992	
21	Head Capscrews	36	920532	77	Push Rod	3	¹ 122005	
24*	Ball Bearing	2	¹ 903172	88	O-Ring R/V Cap (HNBR) (STD)	1	¹ 702303	
24A	Bearing Locknut	2	² 903541		O-Ring R/V Cap (FKM)			701982
24B	Bearing Lockwasher	2	¹ 903542		O-Ring R/V Cap (PTFE)			702100
26	Bearing Cover Gasket	2	¹ 385125		O-Ring R/V Cap (Neoprene)			711986
27	Bearing Cover	2	041815	104	Grease Seal	2	¹ 331908	
28	Bearing Cover Capscrews	12	920286	186	Shaft Protector	1	341801	
35	Shaft Key	1	¹ 909183	—	Tool - Locknut	—	903092	
41	Liner	1	² 182000	—	Kit – Maintenance	—	898937	
				—	Kit – Rebuild	—	899037	

¹ Included in Maintenance Kit and Rebuild Kit ² Included in Rebuild Kit
Keep this parts list with Installation, Operation and Maintenance Instructions.

Note 1 – See Table on other side for proper parts.

MECHANICAL SEAL

Ref. No.	Part Name	Parts Per Pump	Part No.
153	Mechanical Seal Assembly (STD) Hardened Steel Stationary Seat, Custom Carbon Rotating Seal Face, HNBR O-Rings (SJCJ)	2	1332064
	Mechanical Seal Assembly Hardened Steel Stationary Seat, Custom Carbon Rotating Seal Face, FKM O-Rings (SVCV)		332065
	Mechanical Seal Assembly Hardened Steel Stationary Seat, Custom Carbon Rotating Seal Face, PTFE and Kalrez® O-Rings (SACK)		332066
	Mechanical Seal Assembly Hardened Steel Stationary Seat, Custom Carbon Rotating Seal Face, Neoprene O-Rings (SPCP)		332068
	Mechanical Seal Assembly Silicon Carbide Stationary Seat, Custom Carbon Rotating Seal Face, HNBR O-Rings (LJCJ)		332074
153A	Stationary Seat	2	**
153B	Rotating Seal Face	2	**
153C	Jacket Assembly	2	**
153D	O-Ring Stationary (HNBR) (STD)	2	702310
	O-Ring Stationary (FKM)		701921
	O-Ring Stationary (Neoprene)		702009
	O-Ring Stationary (PTFE)		702056
153E	O-Ring Rotating (HNBR) (STD)	2	702305
	O-Ring Rotating (FKM)		701962
	O-Ring Rotating (Kalrez®)		702171
	O-Ring Rotating (Neoprene)		702007



[†]Included in Maintenance Kit and Rebuild Kit.

**Mechanical Seal Ref. No. 153 is only sold as a complete assembly.

Ref. Nos. 153A, 153B, 153C are not available as separate replacement parts.

® Kalrez is a Registered Trademark of the DuPont Co.

Use the table below to determine the proper parts for each model.

Ref. No	Part Name	Parts Per Pump	SGLD4A Part No.	Discontinued SGLD4 Part No.
2	Adjusting Screw – R/V	1	476310	436307
3	Locknut – Adjusting Screw	1	432039	436355
8	Spring - R/V (35-50 psi)	1	472003	476303
8	Spring - R/V (51-75 psi)	1	472009	476309
8	Spring - R/V (76-125 psi)	1	472004	476304
8	Spring - R/V (126-150 psi)	1	472039	476305
12	Casing	1	012009	012000

Use Dimension 'A' as shown in the drawing to determine the pump model number.

The pump model number will also be shown on the nameplate.

Model	Dim 'A'	
SGLD4A	2.19 in.	5.56 cm.
SGLD4	1.75 in.	4.45 cm.



1809 Century Avenue, Grand Rapids, Michigan 49503-1530, U.S.A.

Telephone: (616) 241-1611 / Fax: (616) 241-3752

E-Mail: blackmer@blackmer.com / Internet: www.blackmer.com

Parts List 801-B02

Page 2 of 2