

HDL372A PARTS LIST

Discontinued Model – parts availability may be limited.

Serial # _____

ID# _____

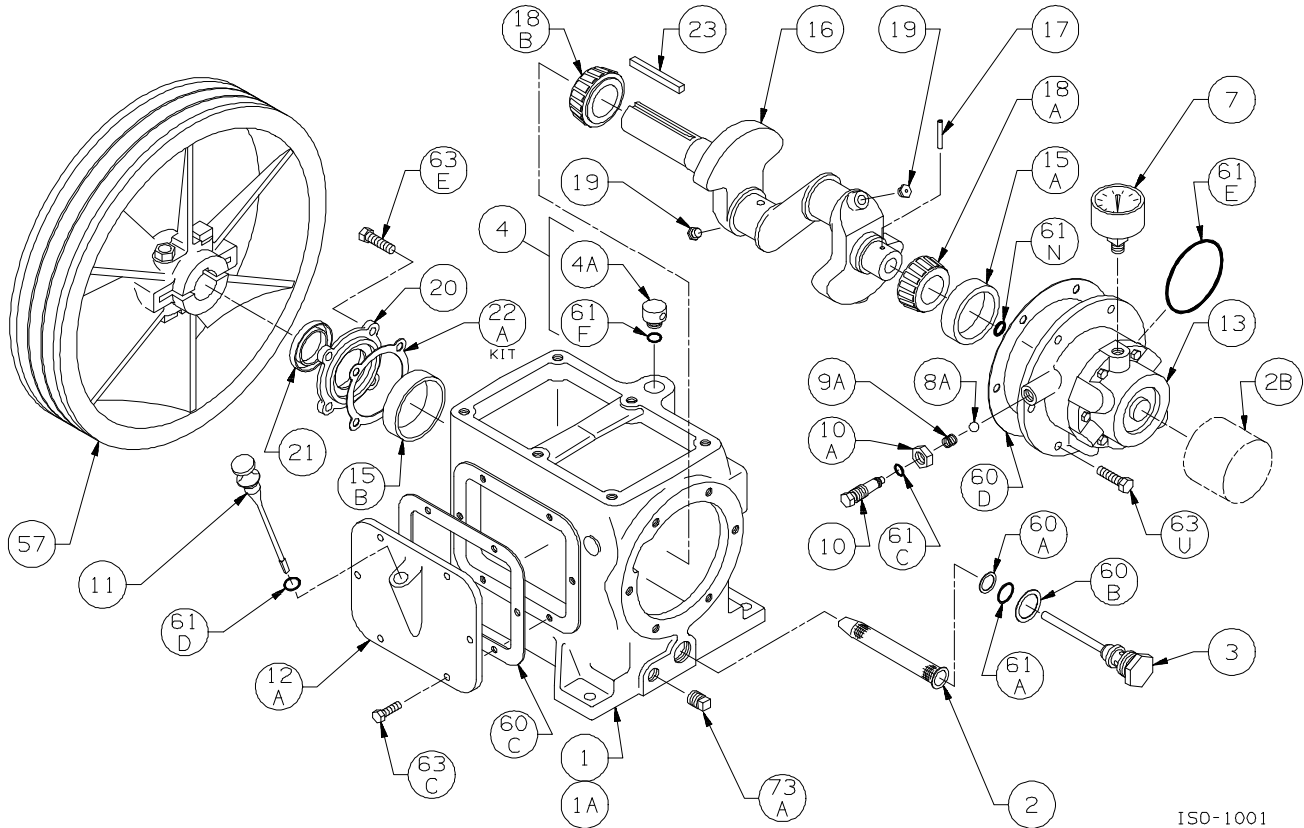
Gasket Sets and Special Tools

Gasket Set	Buna-N & Iron	793699
	PTFE & Iron	793698
	FKM & Iron	793697
	Neoprene & Iron	793693
	Ethylene Propylene & Iron	793691
Packing Installation Tool		790536
Spanner Wrench, 1/4" Adjustable		790316
Wrench for Valve Holdown Screw		790535
Tool Kit		790199

Bulletins Needed For Complete Parts List

This page	9E-110
Crankcase	9F-020
Oil Pump	9G-010
Crosshead	9J-050
Cylinder	9L-060
Head	9M-090
Head with Unloaders	9M-100

Notes:



ISO-1001

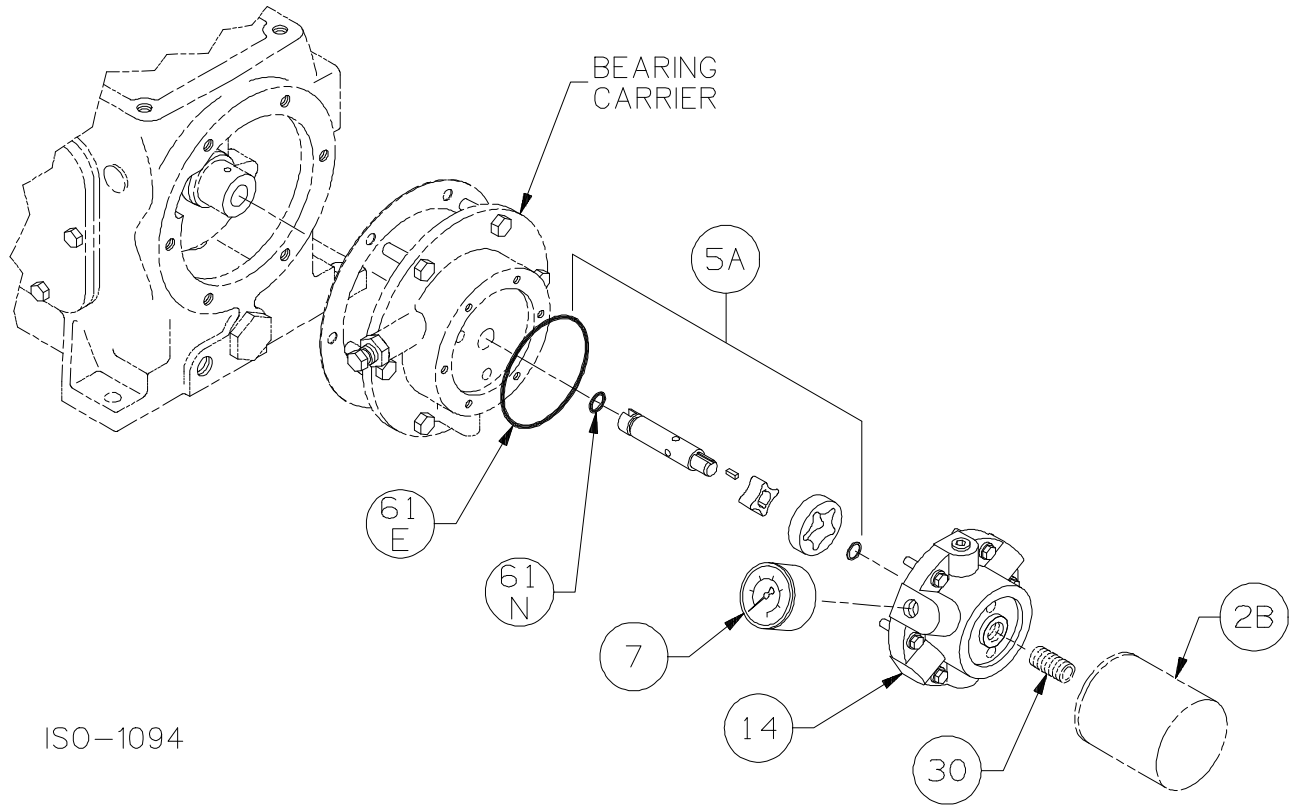
Crankcase Assembly: Models HD361A, HD362A, HD363A, HD372A, HD373A, HDL372A

ISO1001

Ref	Description	Qty	Part No
1	Crankcase Assembly (less flywheel)	1	793119
1A	Crankcase	1	793134
2	Oil Intake Screen	1	792135
2B	Oil Filter	1	790003
3	Oil Screen Plug	1	792145
4	Breather Assembly	1	793149
4A	Breather Cap	1	792144
7	Oil Pressure Gauge	1	790012
8A	Oil Pressure Adjusting Ball	1	792154
9A	Oil Pressure Adjusting Spring	1	792153
10	Oil Pressure Adjusting Screw	1	792148
10A	Locknut	1	792152
11	Oil Bayonet Assembly	1	793162
12A	Inspection Plate	1	793118
13	Bearing Carrier Assembly Bearing Carrier Assembly with Oil Filter	1	793179 793170
15A	Bearing Cup (Outboard)	1	792126
15B	Bearing Cup (Inboard)	1	793126
16	Crankshaft Assembly (w/ 18A,18B,19) Crankshaft Assembly - Extended	1	793159 793169
17	Oil Pump Drive Pin	1	792147
18A	Bearing Cone (Outboard)	1	792127

Ref	Description	Qty	Part No
18B	Bearing Cone (Inboard)	1	793142
19	Orifice	2	792146
20	Bearing Cover Plate	1	793137
21	Oil Seal	1	793143
22A	Bearing Adjustment Shim Kit	1	793133
23	Key	1	793167
57	Flywheel Assembly	1	793128
60A	Gasket - Oil Screen *	1	792136
60B	Gasket - Oil Screen Plug *	1	792123
60C	Gasket - Inspection Plate *	1	793122
60D	Gasket - Bearing Carrier Assembly *	1	793124
61A	O-Ring - Oil Screen *	1	792175
61C	O-Ring - Adjusting Screw *	1	792168
61D	O-Ring - Oil Bayonet *	1	792174
61E	O-Ring - Oil Pump Cover *	1	792186
61F	O-Ring - Breather Cap *	1	792173
61N	O-Ring - Oil Pump Shaft *	1	792174
63C	Capscrew - Hex Hd	6	793116
63E	Capscrew - Hex Hd	4	793158
63U	Capscrew - Hex Hd	6	792093
73A	Pipe Plug	1	792166

* Included in Gasket Sets



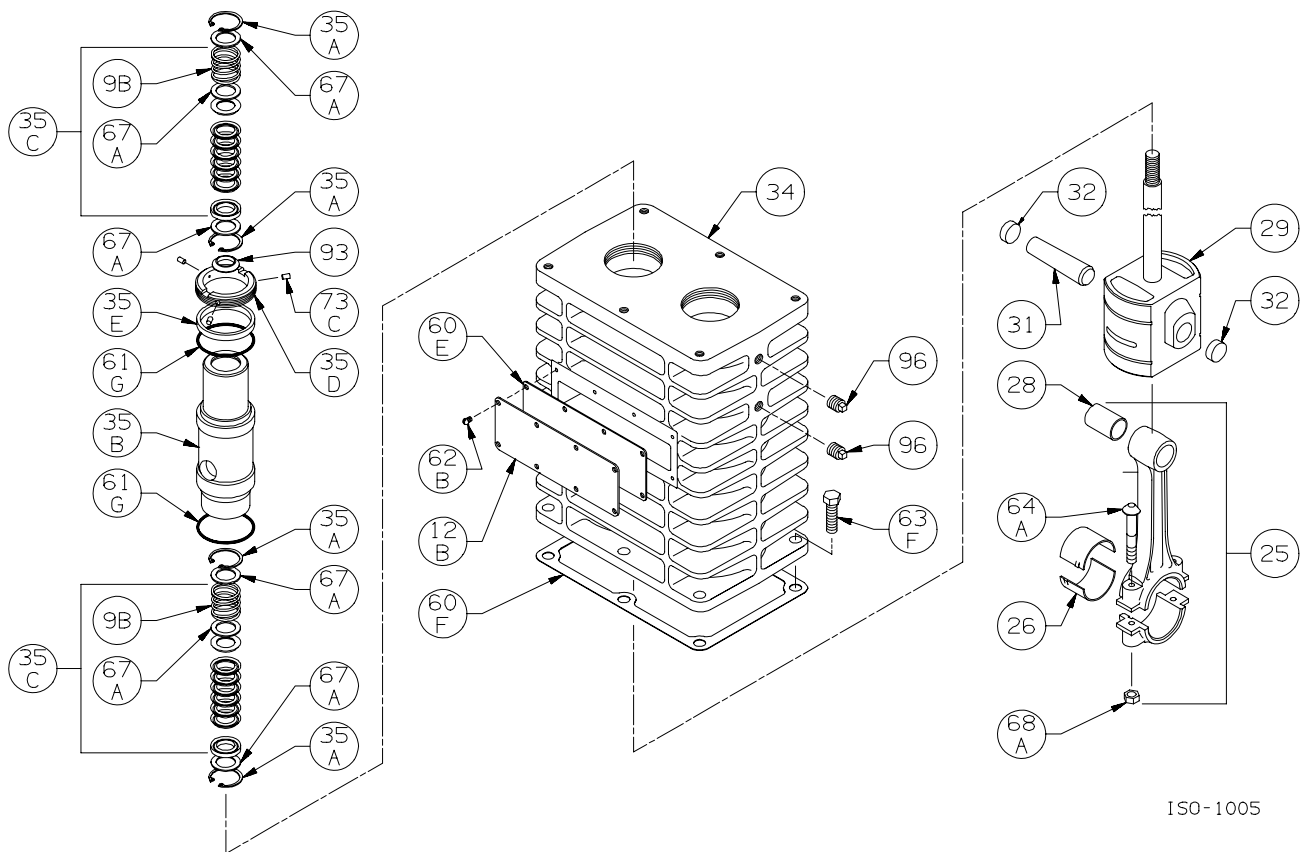
Oil Pump Detail:

Models HD161A, HD162A, HD172A,
 HD361A, HD362A, HD363A, HD372A, HD373A, HDL372A,
 HD601A, HD602A, HD603A, HD612A, HDL612A

ISO1094

Ref	Description	Qty	Part No
2B	Oil Filter	1	790003
5A	Oil Pump Kit (w/ 61E, 61N) 160, 170, 360 & 370 Series	1	798855
	600 & 610 Series	1	798856
7	Oil Pressure Gauge	1	790012
14	Oil Pump Cover	1	792181
	Oil Pump Cover - For Filter		790001
30	Oil Filter Fitting	1	790002
61E	O-Ring - Oil Pump Cover *	1	792186
61N	O-Ring - Oil Pump Shaft *	1	792174

* Included in Gasket Sets



ISO-1005

Crosshead Assembly: HD362A, HD362B
HD372A, HD372B, HDL372A, HDL372B

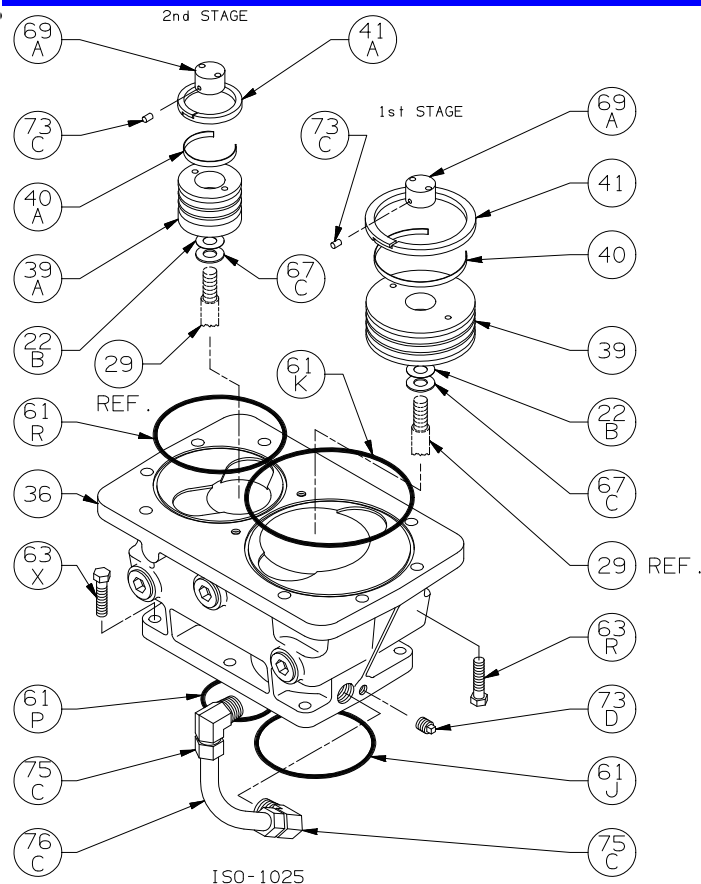
ISO1005

Ref	Description	Qty	Part No
9B	Packing Spring	4	792077
12B	Inspection Plate	1	793093
25	Connecting Rod Assembly	2	793009
26	Connecting Rod Bearing	2	793002
28	Wrist Pin Bushing **	2	793003
29	Crosshead Assembly	2	793429
31	Wrist Pin	2	793004
32	Wrist Pin Plug	4	792178
34	Crosshead Guide	1	793455
35A	Retainer Ring	8	793404
35B	Packing Box Packing Box TNT-12	2	793403 792820
35C	Packing Set	4	793510
35D	Hold-down Ring Hold-down Ring TNT-12	2	793220 792810
35E	Spacer Ring Spacer Ring TNT-12	2	793402 792821

Ref	Description	Qty	Part No
60E	Gasket - Inspection Plate *	1	793092
60F	Gasket - Crankcase *	1	793121
61G	O-Ring (Buna-N) Std * O-Ring (FKM) * O-Ring (PTFE) * O-Ring (Neoprene) * O-Ring (Ethylene Propylene) *	4	792125 793213 793211 793215 793207
62B	Machine Screw - Inspection Plate	8	793096
63F	Capscrew - Hex Hd	6	793094
64A	Connecting Rod Bolt	4	793006
67A	Washer - Packing Box	12	792087
68A	Connecting Rod Bolt Nut	4	793007
73C	Lock Plug *	6	792030
93	Oil Deflector Ring	2	793478
96	Pipe Plug	4	793498

*Included in Gasket Sets

** Must be honed after installing



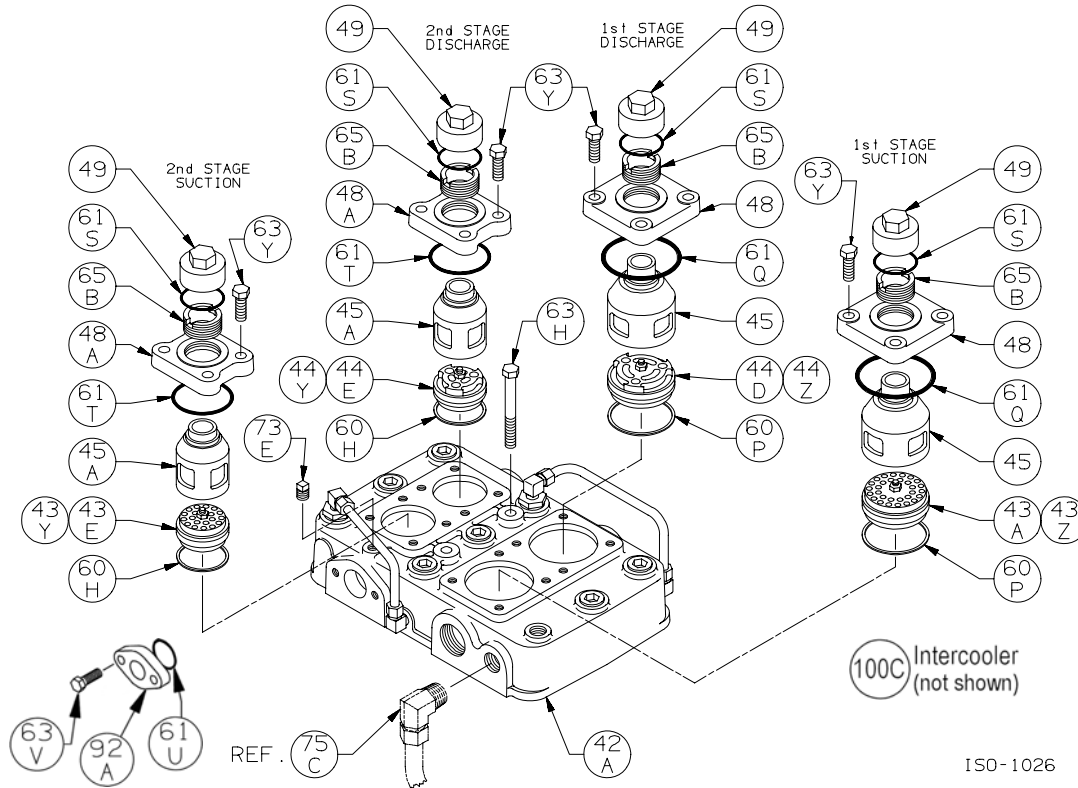
Cylinder Assembly: HDL372C, HDL372B, HDL372A, HDL373C, HDL373B

ISO1025

Ref	Description	Qty	Part No
22B	Piston Shim - 0.015	AR	792034
	Piston Shim - 0.007	AR	792050
36	Cylinder	1	793701
	Cylinder TNT-12		792822
39	Piston	1	793621
	Piston TNT-12		792813
39A	Piston Piston TNT-12	1	793622 792814
40	Expander	3	793614
40A	Expander	3	793615
41	Piston Ring – Glass/Moly Filled, Std	3	793610
	Piston Ring - Poly Filled		793612
41A	Piston Ring – Glass/Moly Filled, Std	3	793611
	Piston Ring - Poly Filled		793613
61J	O-Ring (Buna N) Std *	1	794126
	O-Ring (FKM) *		794214
	O-Ring (PTFE) *		794125
	O-Ring (Neoprene) *		794142
	O-Ring (Ethylene Propylene) *		794210
61K	O-Ring (Buna N) Std *	1	793631
	O-Ring (FKM) *		793633
	O-Ring (PTFE) *		793632
	O-Ring (Neoprene) *		793634
	O-Ring (Ethylene Propylene) *		793638

Ref	Description	Qty	Part No
61P	O-Ring (Buna N) Std *	1	794082
	O-Ring (FKM) *		794213
	O-Ring (PTFE) *		794165
	O-Ring (Neoprene) *		794090
	O-Ring (Ethylene Propylene) *		794206
61R	O-Ring (Buna N) Std *	1	793641
	O-Ring (FKM) *		793643
	O-Ring (PTFE) *		793642
	O-Ring (Neoprene) *		793644
	O-Ring (Ethylene Propylene) *		793645
63R	Capscrew - Hex Hd	8	794097
63X	Capscrew - Hex Hd	6	794096
67C	Thrust Washer	2	792033
69A	Piston Nut	2	793022
	Piston Nut TNT-12		792808
73C	Lock Plug *	4	793028
73D	Pipe Plug	1	793498
75C	Tube Elbow	2	790393
76C	Tube	1	790394

* Included in Gasket Sets



ISO-1026

Head Assembly: Models HDL372C, HDL372B, HDL372A, HDL373C, HDL373B

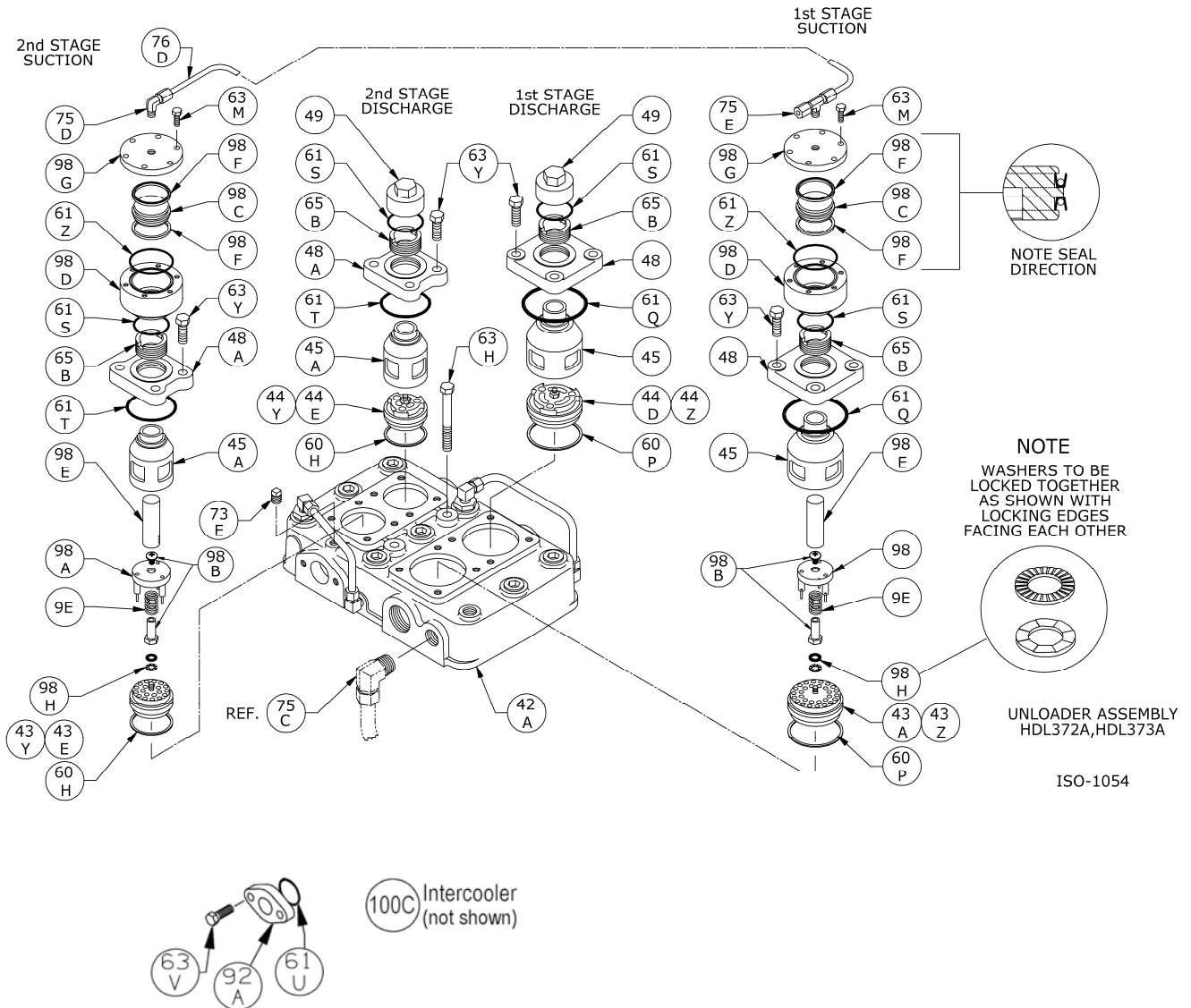
ISO1026

Ref	Description	Qty	Part No
42A	Head Head TNT-12	1	793700 792823
43A	Suction Valve Assembly Suction Valve Assembly TNT-12 Suction Valve Assembly, Stainless Steel	1	793659 792872 793629
43E	Suction Valve Assembly Suction Valve Assembly TNT-12 Suction Valve Assembly, Stainless Steel	1	793459 792870 793439
43Y	Valve Repair Kit - For 793459/793479 Valve Repair Kit - For 793439		793460 793440
43Z	Valve Repair Kit - For 793659/793679 Valve Repair Kit - For 793629		793660 793630
44D	Discharge Valve Assembly Discharge Valve Assembly TNT-12 Discharge Valve Assembly, Stainless Steel	1	793679 792873 793649
44E	Discharge Valve Assembly Discharge Valve Assembly TNT-12 Discharge Valve Assembly, Stainless Steel	1	793479 792871 793449
44Y	Valve Repair Kit - For 793459/793479 Valve Repair Kit - For 793449		793460 793448
44Z	Valve Repair Kit - For 793659/793679 Valve Repair Kit - For 793649		793660 793650
45	Cage Cage TNT-12	2	793620 792819
45A	Cage Cage TNT-12	2	793420 792818
48	Valve Cover Plate Valve Cover Plate TNT-12	2	794284 792817

* Included in Gasket Sets

Ref	Description	Qty	Part No
48A	Valve Cover Plate Valve Cover Plate TNT-12	2	793284 792816
49	Valve Cap Valve Cap TNT-12	4	792003 792804
60H	Gasket - Valve *	2	793202
60P	Gasket - Valve *	2	794198
61Q	O-Ring (Buna-N) Std * O-Ring (FKM) * O-Ring (PTFE) * O-Ring (Neoprene) * O-Ring (Ethylene Propylene) *	2	792112 792213 792210 792110 792206
61S	O-Ring (Buna-N) Std * O-Ring (FKM) * O-Ring (PTFE) * O-Ring (Neoprene) * O-Ring (Ethylene Propylene) *	4	792306 792308 792307 792309 792310
61T	O-Ring (Buna-N) Std * O-Ring (FKM) * O-Ring (PTFE) * O-Ring (Neoprene) * O-Ring (Ethylene Propylene) *	2	793114 793214 793208 793110 793205
61U	O-Ring (PTFE) Intercooler Flange *	2	793626
63H	Capscrew - Hex Hd	2	793115
63Y	Capscrew - Hex Hd	16	793094
63V	Capscrew - Intercooler Flange	4	793094
65B	Valve Holddown Screw Valve Holddown Screw TNT-12	4	792002 792806
73E	Pipe Plug	1	793498
92A	Intercooler Flange - 1" NPT	2	793602
100C	Intercooler, Water-cooled, Brass	1	¹ 793702

¹ Many compressors are supplied with custom intercoolers - please verify this PN with Blackmer prior to placing an order.



Head Assembly with Unloaders: Models HDL372C, HDL372B, HDL372A, HDL373C, HDL373B

Over.....

Head Assembly with Unloaders: Models HDL372C, HDL372B, HDL372A, HDL373C, HDL373B

ISO1054

Ref	Description	Qty	Part No
9E	Unloader Spring	2	793293
42A	Head Head TNT-12	1	793700 792823
43A	Suction Valve Assembly Suction Valve Assembly TNT-12 Suction Valve Assy, Stainless Steel	1	793659 792872 793629
43E	Suction Valve Assembly Suction Valve Assembly TNT-12 Suction Valve Assy, Stainless Steel	1	793459 792870 793439
43Y	Valve Repair Kit - For 793459/793479 Valve Repair Kit - For 793439		793460 793440
43Z	Valve Repair Kit - For 793659/793679 Valve Repair Kit - For 793629		793660 793630
44D	Discharge Valve Assembly Discharge Valve Assembly TNT-12 Discharge Valve Assy, Stainless Steel	1	793679 792873 793649
44E	Discharge Valve Assembly Discharge Valve Assembly TNT-12 Discharge Valve Assy, Stainless Steel	1	793479 792871 793449
44Y	Valve Repair Kit - For 793459/793479 Valve Repair Kit - For 793449		793460 793448
44Z	Valve Repair Kit - For 793659/793679 Valve Repair Kit - For 793649		793660 793650
45	Cage Cage TNT-12	2	793620 792819
45A	Cage Cage TNT-12	2	793420 792818
48	Valve Cover Plate Valve Cover Plate TNT-12	2	794284 792817
48A	Valve Cover Plate Valve Cover Plate TNT-12	2	793284 792816
49	Valve Cap Valve Cap TNT-12	2	792003 792804
60H	Gasket - Valve *	2	793202
60P	Gasket - Valve *	2	794198
61Q	O-Ring (Buna-N) Std * O-Ring (FKM) * O-Ring (PTFE) * O-Ring (Neoprene) * O-Ring (Ethylene Propylene) *	2	792112 792213 792210 792110 792206

* Included in Gasket Sets

Ref	Description	Qty	Part No
61S	O-Ring (Buna-N) Std * O-Ring (FKM) * O-Ring (PTFE) * O-Ring (Neoprene) * O-Ring (Ethylene Propylene) *	4	792306 792308 792307 792309 792310
61T	O-Ring (Buna-N) Std * O-Ring (FKM) * O-Ring (PTFE) * O-Ring (Neoprene) * O-Ring (Ethylene Propylene) *	2	793114 793214 793208 793110 793205
61U	O-Ring (PTFE) Intercooler Flange *	2	793626
61Z	O-Ring (Buna-N) Std * O-Ring (FKM) * O-Ring (PTFE) * O-Ring (Neoprene) * O-Ring (Ethylene Propylene) *	2	792311 792313 792312 792314 792320
63H	Capscrew - Hex Hd	2	793115
63M	Capscrew - Hex Hd	12	790053
63Y	Capscrew - Hex Hd	16	793094
63V	Capscrew - Intercooler Flange	4	793094
65B	Valve Holddown Screw Valve Holddown Screw TNT-12	4	792002 792806
73E	Pipe Plug	1	793498
75D	Tube Elbow	1	790355
75E	Tube Tee	1	790356
76D	Tube	1	790192
92A	Intercooler Flange - 1" NPT	2	793602
98	Actuator Assembly - 1st Stage Actuator Assy. - 1st St, for SS Valve	1	794296 794298
98A	Actuator Assembly - 2nd Stage Actuator Assy. - 2nd St, for SS Valve	1	793296 793298
98B	Unloader Post w/bolt ¹ Unloader Post w/bolt ¹ , for SS Valve	2	793291 794291
98C	Unloader Piston	2	793288
98D	Unloader Body	2	793286
98E	Unloader Plunger	2	793290
98F	Unloader Seal	4	792284
98G	Unloader Cap	2	793287
98H	Lockwasher (2 piece)	2	793473
100C	Intercooler, Water-cooled, Brass	1	² 793702

¹ Unloader Post with bolt replaces earlier style unloader post with retainer ring.

² Many compressors are supplied with custom intercoolers - please verify this PN with Blackmer prior to placing an order.



Suggested Spare Parts for HD372A and HDL372A compressors:

Part #	Description	Qty./Unit	Comm. Qty.	Spare Qty.
793699	Gasket Set - Buna-N	1	1	1
793698	Gasket Set - PTFE *			
793697	Gasket Set - FKM *			
793693	Gasket Set - Neoprene *			
793691	Gasket Set - Ethylene Propylene *			
793660	St1 Suction Valve Repair Kit - PEEK	1		1
793630	St1 Suction Valve Repair Kit - Stainless Steel *			
793460	St2 Suction Valve Repair Kit - PEEK	1		
793440	St2 Suction Valve Repair Kit - Stainless Steel *			
793660	St1 Discharge Valve Repair Kit - PEEK	1		1
793650	St1 Discharge Valve Repair Kit - Stainless Steel *			
793460	St2 Discharge Valve Repair Kit - PEEK	1		1
793448	St2 Discharge Valve Repair Kit - Stainless Steel *			
792284	Unloader Seal *	4		4
793610	St1 Piston Ring - Standard	3	3	3
793612	St1 Piston Ring - Poly Filled *			
793614	St1 Piston Ring Expander	3	3	3
793611	St2 Piston Ring - Standard	3		3
793613	St2 Piston Ring - Poly Filled *			
793615	St2 Piston Ring Expander	3		3
793510	Packing Set	4	4	4
790003	Oil Filter *	1		6
793004	Wrist Pin	2		2
793003	Wrist Pin Bushing	2	2	2
793002	Conrod Bearing	2	2	2
The following parts would normally be required only for major compressor overhaul.				
793142	Inboard Bearing Cone	1		1
793126	Inboard Bearing Cup	1		1
792127	Outboard Bearing Cone	1		1
792126	Outboard Bearing Cup	1		1
793429	Crosshead Assembly	2		1
793009	Conrod Assembly	2		1
798855	Oil Pump Repair Kit	1		
793159	Crankshaft Assembly	1		
793133	Bearing Adjustment Shim Kit	1		
793601	Cylinder (HD372)	1		
792812	Cylinder, TNT-12 PTFE / Nickel Treated *			
793701	Cylinder (HDL372)	1		
792822	Cylinder, TNT-12 PTFE / Nickel Treated *			

* Optional Equipment on New Compressors