

## HDS172C PARTS LIST

Öä& } ç ~ ^ååR } ^ÁGEÍ

Serial # \_\_\_\_\_

ID# \_\_\_\_\_

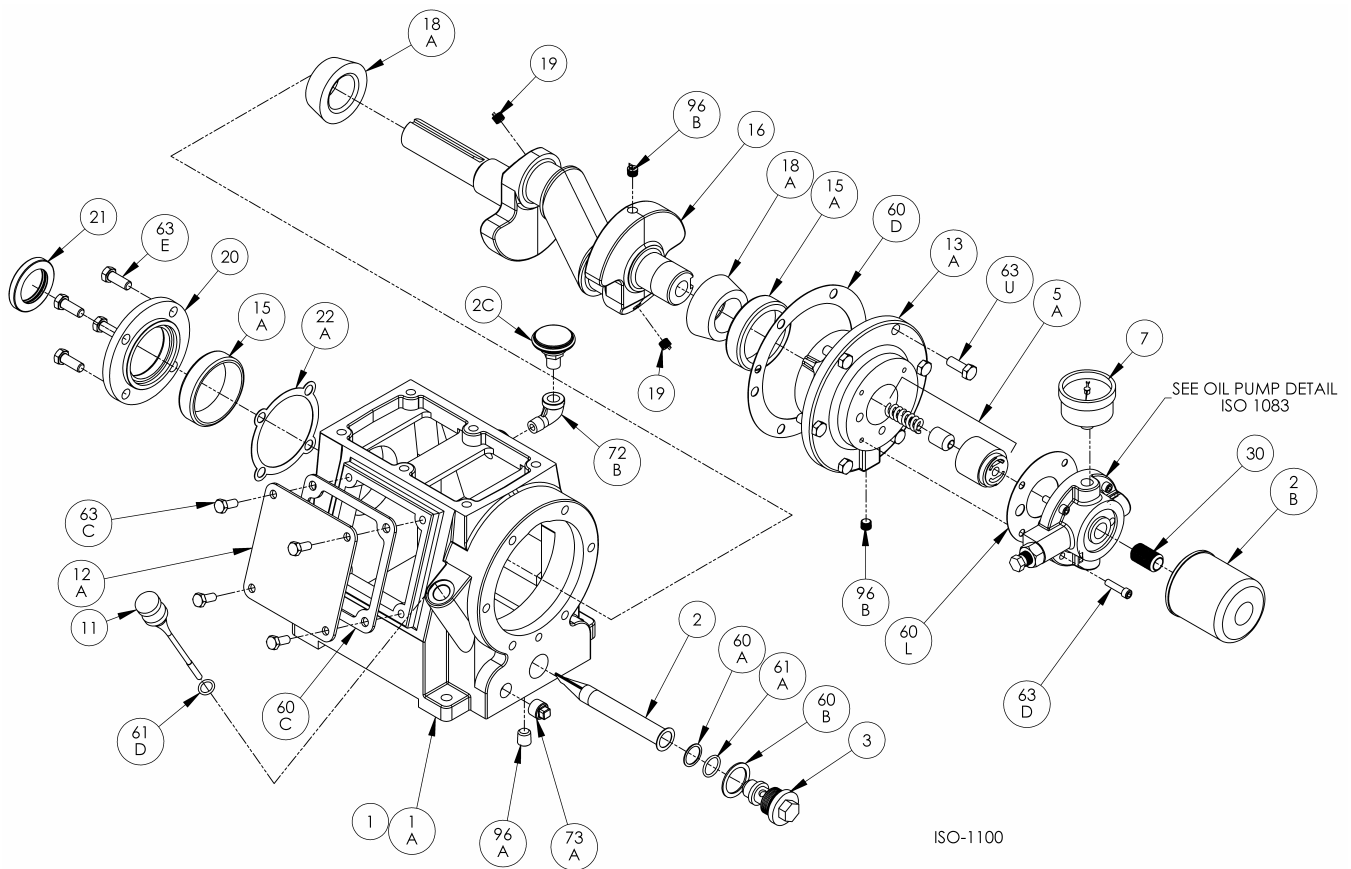
### Gasket Sets and Special Tools

Gasket Set	FKM & Iron	792462
	PTFE & Iron	792461
Packing Installation Tool		790536
Spanner Wrench, 1/4" Adjustable		790316
Wrench for Valve Holdown Screw		790535
Tool Kit		790199

### Bulletins Needed For Complete Parts List

This page	9E-370
Crankcase	9F-011
Oil Pump	9G-011
Flywheel	9H-010
Crosshead	9J-140
Cylinder	9L-210
Head	9M-280

Notes:



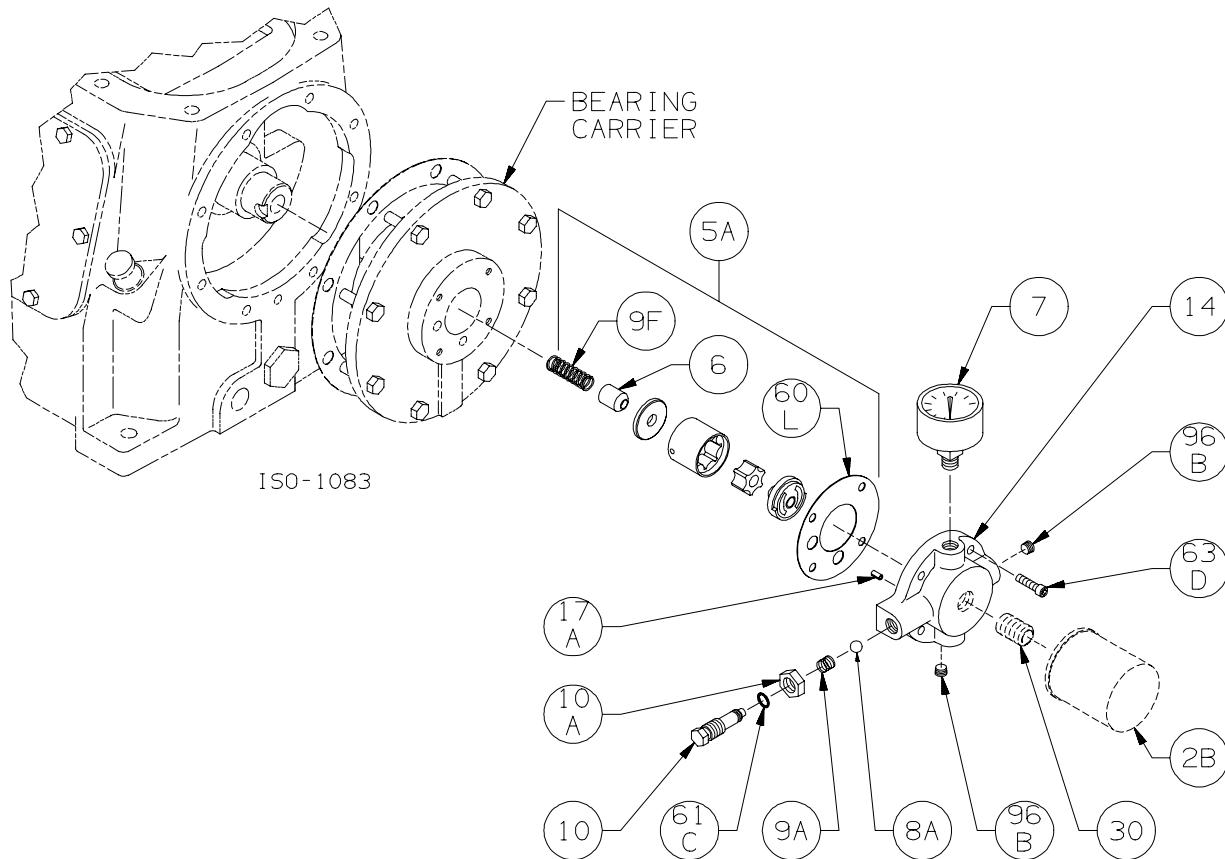
Crankcase Assembly: Models HD161B, HD161C, HD162B, HD162C, HD163B, HD163C, HDS162C  
HD172B, HD172C, HD173B, HD173C, HDL172C, HDL173C, HDS172C

ISO1100

Ref	Description	Qty	Part No
1	Crankcase Assembly – with Oil Filter	1	792100
	Crankcase Assembly – no Oil Filter		792103
	Crankcase Assembly – with Ext Shaft		792155
	Crankcase Assy - with Ext Shaft & Oil Filter		792171
1A	Crankcase	1	792102
2	Oil Intake Screen	1	792135
2B	Oil Filter	1	794726
2C	Breather Filter	1	792070
3	Oil Screen Plug	1	792145
5A	Oil Pump Kit	1	794760
7	Oil Pressure Gauge	1	790012
11	Oil Bayonet Assembly	1	792162
12A	Inspection Plate	1	792105
13A	Bearing Carrier	1	792104
15A	Bearing Cup	2	793126
16	Crankshaft Assembly (w/ 18A,19,96B)	1	792157
	Crankshaft Assembly-Ext (w/ 18A,19,96B)		792191
18A	Bearing Cone	2	793142
19	Orifice	2	792146

Ref	Description	Qty	Part No
20	Bearing Cover Plate	1	793106
21	Oil Seal	1	793143
22A	Bearing Adjustment Shim Kit	1	793133
30	Oil Filter Fitting	1	794725
60A	Gasket - Oil Screen *	1	792136
60B	Gasket - Oil Screen Plug *	1	792123
60C	Gasket - Inspection Plate *	1	792122
60D	Gasket - Bearing Carrier Assembly*	1	792124
60L	Gasket - Oil Pump Cover *	1	794721
61A	O-Ring - Oil Screen *	1	792175
61D	O-Ring - Oil Bayonet *	1	792174
63C	Capscrew - Hex Hd	4	793116
63D	Capscrew - Soc Hd	4	790559
63E	Capscrew - Hex Hd	4	792093
63U	Capscrew - Hex Hd	6	792093
72B	Elbow	1	790453
73A	Pipe Plug	1	792166
96A	Pipe Plug	1	790488
96B	Pipe Plug	2	790309

\* Included in Gasket Sets



**Oil Pump Detail for Models:**

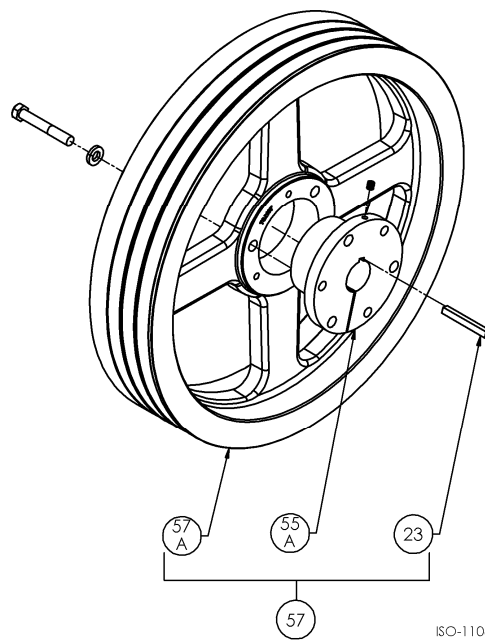
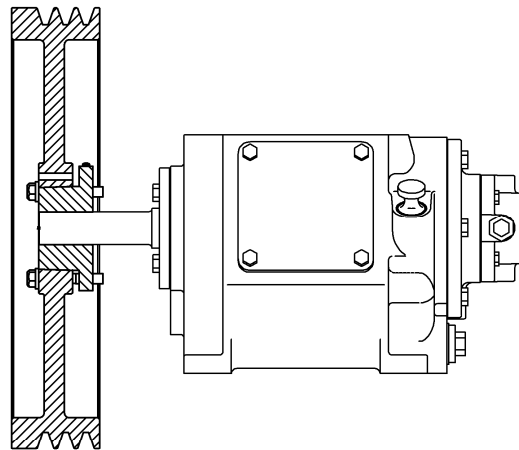
HD161C, HD161B, HD162C, HD162B, HD163C, HD163B, HDS162C  
 HD172C, HD172B, HD173C, HD173B, HDL172C, HDL173C, HDS172C  
 HDL342B, HDL343B, HDL342C, HDL343C,  
 HD361C, HD361B, HD362C, HD362B, HD363C, HD363B, HDS362C,  
 HDL362B, HDL363B, HDL362C, HDL363C,  
 HD372C, HD372B, HDL372C, HDL372B, HD373C, HD373B, HDL373C, HDL373B, HDS372C  
 HD601B, HD602B, HD603B, HDL602B, HDL603B, HDS602B, HDL642B, HDL643B,  
 HD612B, HDL612B, HD613B, HDL613B, HDS612B  
 HD942A and HDL942A

Ref	Description	Qty	Part No
2B	Oil Filter	1	794726
5A	Oil Pump Kit (w/ 6, 9F, 60L)		794760
6	Oil Pump Cone	1	794750
7	Oil Pressure Gauge	1	790012
8A	Oil Pressure Adj. Ball	1	792154
9A	Oil Pressure Adj. Spring	1	792153
9F	Oil Pump Spring	1	794751
10	Oil Pressure Adj. Screw	1	792148
10A	Locknut	1	792152

ISO1083

Ref	Description	Qty	Part No
14	Oil Pump Cover Assembly - For Filter	1	794764
	with 17A, 96B		
	Oil Pump Cover Assembly - w/ 17A, 96B		794763
17A	Roll Pin	1	794753
30	Oil Filter Fitting	1	794725
60L	Gasket - Oil Pump Cover *	1	794721
61C	O-Ring - Adjusting Screw *	1	792168
63D	Capscrew - Soc. Hd	4	790559
96B	Pipe Plug	2	790309

\* Included in Gasket Sets



ISO-1106

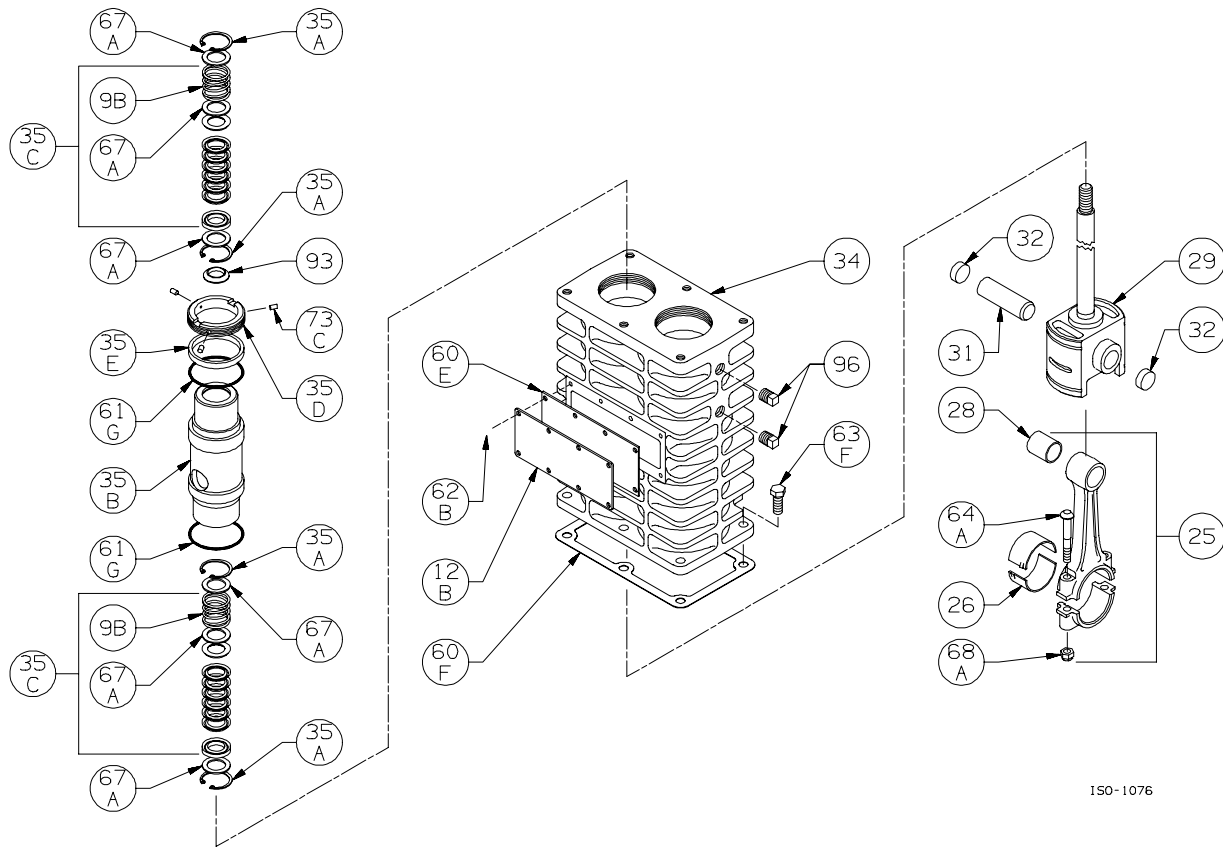
Models:

HD161C, HD161B  
 HD162C, HD162B  
 HD163C, HD163B

HD172C, HD172B  
 HD173C, HD173B  
 HDL172C, HDL173C  
 HDS172C

Ref	Description	Qty	Part No
23	Key	1	792167
55A	Hub	1	790563
57	Flywheel Assembly	1	792073
57A	Flywheel	1	792197

Note: Earlier HD172C, HD172B, HD173C and HD173B air-cooled compressors had a fan fitted to the flywheel.



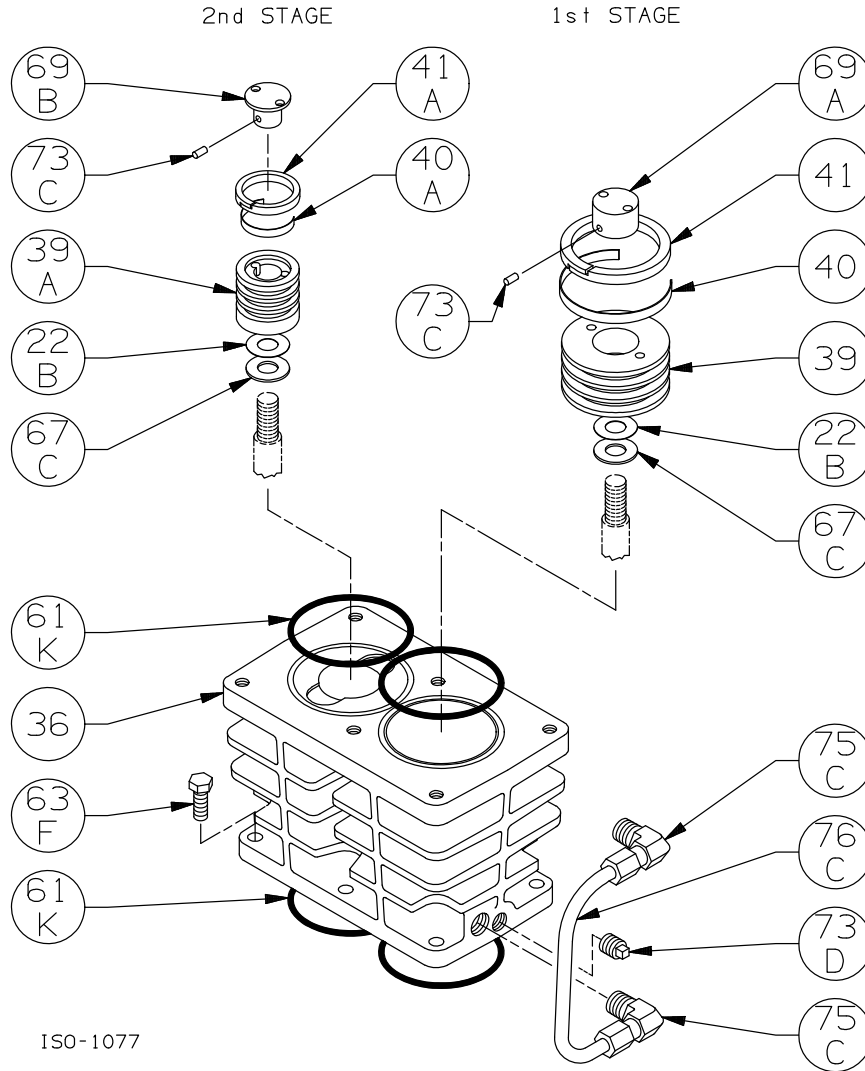
Crosshead Assembly: HDS162C, HDS172C

Ref	Description	Qty	Part No
9B	Packing Spring – Stainless Steel	4	793503
12B	Inspection Plate	1	792017
25	Connecting Rod Assembly	2	792301
26	Connecting Rod Bearing	2	792012
28	Wrist Pin Bearing	2	792302
29	Crosshead Assembly (top marked '90k')	2	792501
31	Wrist Pin	2	792014
32	Wrist Pin Plug	4	792178
34	Crosshead Guide	1	792455
35A	Retainer Ring – Stainless Steel	8	793504
35B	Packing Box (top marked '1018')	2	792502
	Packing Box TNT-12		792503
35C	Packing Set	4	793506
35D	Hold-down Ring	2	793220
	Hold-down Ring TNT-12		792810

ISO1076

Ref	Description	Qty	Part No
35E	Spacer Ring	2	793402
	Spacer Ring TNT-12		792821
60E	Gasket - Inspection Plate *	1	792092
60F	Gasket - Crankcase *	1	792121
61G	O-Ring (FKM) *	4	793213
	O-Ring (PTFE) *		793211
62B	Machine Screw - Inspection Plate	8	793096
63F	Capscrew - Hex Hd – Stainless Steel	6	098392
64A	Connecting Rod Bolt	4	792006
67A	Washer - Packing Box	12	792087
68A	Connecting Rod Bolt Nut	4	792005
73C	Lock Plug *	6	792030
93	Oil Deflector Ring	2	793478
96	Pipe Plug	4	793498

\*Included in Gasket Sets



ISO-1077

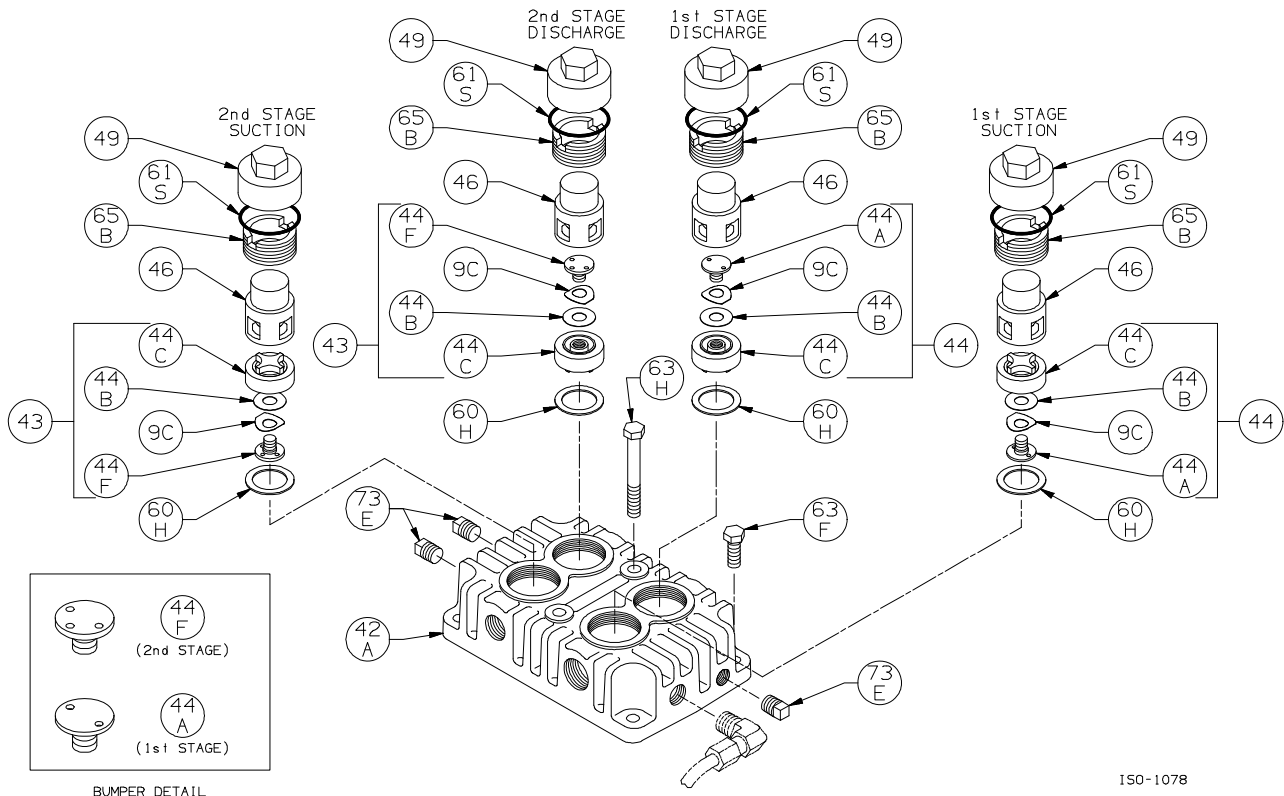
Cylinder Assembly: HDS172C

Ref	Description	Qty	Part No
22B	Piston Shim - 0.015	as	792034
	Piston Shim - 0.007	req.	792050
36	Cylinder	1	792457
	Cylinder TNT-12		792878
39	Piston	1	792431
	Piston TNT-12		792807
39A	Piston	1	792458
	Piston TNT-12		792880
40	Expander	3	794615
40A	Expander	3	792409
41	Piston Ring – Glass/Moly Filled, Std	3	792420
	Piston Ring - Poly Filled		792421
41A	Piston Ring – Glass/Moly Filled, Std	3	792407
	Piston Ring - Poly Filled		792408

ISO1077

Ref	Description	Qty	Part No
61K	O-Ring (FKM) *	4	792213
	O-Ring (PTFE) *		792210
63F	Capscrew - Hex Hd – Stainless Steel	6	098392
67C	Thrust Washer	2	792033
69A	Piston Nut	1	793022
	Piston Nut TNT-12		792808
69B	Piston Nut	1	792459
	Piston Nut TNT-12		792881
73C	Lock Plug *	4	793028
73D	Pipe Plug	1	793498
75C	Tube Elbow	2	790552
76C	Tube	1	790553

\* Included in Gasket Sets



150-1078

### Head Assembly: HDS172C

ISO1078

Ref	Description	Qty	Part No
9C	Valve Spring	4	792038
42A	Head	1	792456
	Head TNT-12		792879
43	Valve Assembly - 2nd Stage	2	792064
44	Valve Assembly - 1st Stage	2	792056
44A	Valve Bumper - 1st Stage	2	792054
44B	Valve Disc	4	792037
44C	Valve Body	4	792055
44F	Valve Bumper - 2nd Stage	2	792066
46	Cage	4	792051
	Cage TNT-12		792803

Ref	Description	Qty	Part No
49	Valve Cap	4	792003
	Valve Cap TNT-12		792804
60H	Gasket - Valve *	4	792201
61S	O-Ring (FKM) *	4	792308
	O-Ring (PTFE) *		792307
63F	Capscrew - Hex Hd - Stainless Steel	4	098392
63H	Capscrew - Hex Hd - Stainless Steel	2	920428
65B	Valve Holddown Screw	4	792002
73E	Pipe Plug	3	793498

\* Included in Gasket Sets

Suggested Spare Parts for HDS172C:

Part #	Description	Qty./ Unit	Comm. Qty.	Spare Qty.
792462	Gasket Set - FKM	1	1	1
792461	Gasket Set - PTFE *			
792056	Stage 1 Suction Valve	1		1
792064	Stage 2 Suction Valve	1		
792056	Stage 1 Discharge Valve	1		1
792064	Stage 2 Discharge Valve	1		1
792420	Stage 1 Piston Ring - Glass and Moly Filled	3	3	3
792421	Stage 1 Piston Ring - Poly Filled *			
794615	Stage 1 Piston Ring Expander	3	3	3
792407	Stage 2 Piston Ring - Glass and Moly Filled	3		3
792408	Stage 2 Piston Ring - Poly Filled *			
792409	Stage 2 Piston Ring Expander	3		3
793506	Packing Set	4	4	4
794726	Oil Filter	1		6
792014	Wrist Pin	2		2
792302	Wrist Pin Bearing	2	2	2
792012	Conrod Bearing	2	2	2
The following parts would normally be required only for major compressor overhaul.				
793142	Bearing Cone	2		2
793126	Bearing Cup	2		2
792501	Crosshead Assembly	2		1
792301	Conrod Assembly	2		1
794760	Oil Pump Repair Kit	1		
792157	Crankshaft Assembly	1		
793133	Bearing Adjustment Shim Kit	1		
792457	Cylinder	1		
792878	Cylinder, TNT-12 PTFE / Nickel Treated *			

\* Optional Equipment on New Compressors