

HDS362C PARTS LIST

Öä&}ç~^âkR}^ÁGEÍ

Serial # _____

ID# _____

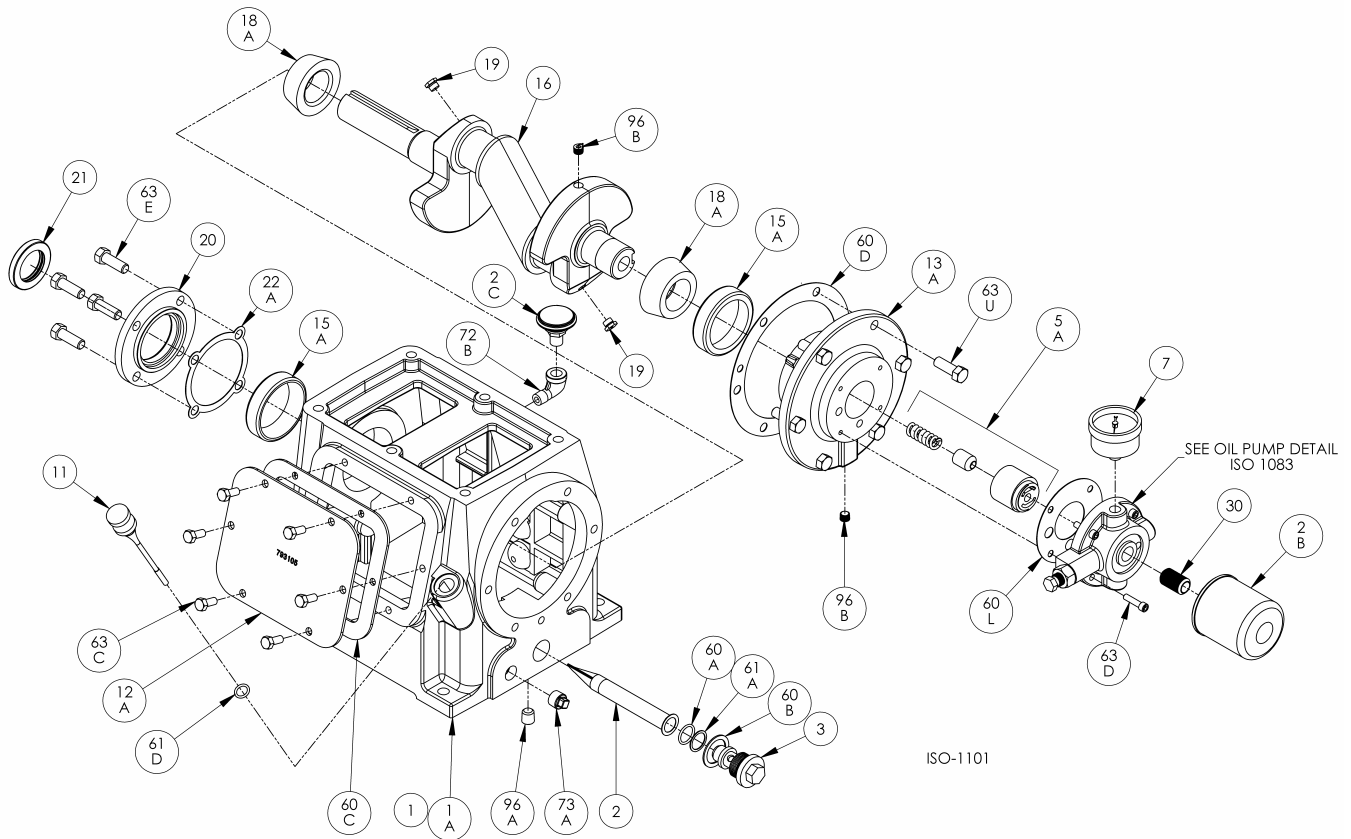
Gasket Sets and Special Tools

| | | |
|---------------------------------|-------------|--------|
| Gasket Set | FKM & Iron | 793595 |
| | PTFE & Iron | 793596 |
| Packing Installation Tool | | 790536 |
| Spanner Wrench, 1/4" Adjustable | | 790316 |
| Wrench for Valve Holdown Screw | | 790535 |
| Tool Kit | | 790199 |

Bulletins Needed For Complete Parts List

| | |
|-----------|--------|
| This page | 9E-340 |
| Crankcase | 9F-021 |
| Oil Pump | 9G-011 |
| Flywheel | 9H-020 |
| Crosshead | 9J-130 |
| Cylinder | 9L-180 |
| Head | 9M-250 |

Notes:



Crankcase Assembly:

Models HDL342B, HDL343B, HDL342C, HDL343C, HDL322C

HDL362B, HDL363B, HDL362C, HDL363C

HD361B, HD361C, HD362B, HD362C, HD363B, HD363C, HDS362C,

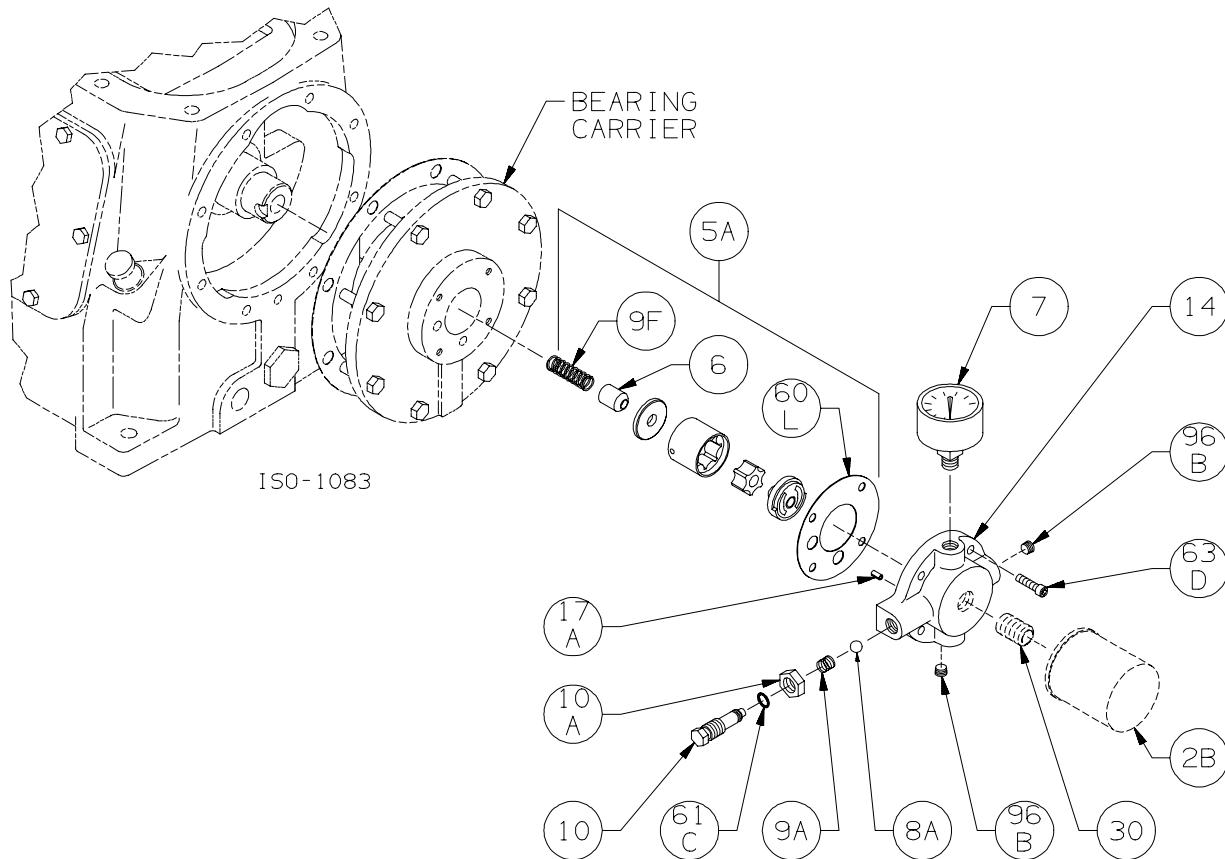
HD372B, HD372C, HD373B, HD373C, HDL372B, HDL372C, HDL373B, HDL373C, HDS372C

ISO1101

| Ref | Description | Qty | Part No |
|-----|---|-----|---------|
| 1 | Crankcase Assembly - Oil Filter | 1 | 793100 |
| | Crankcase Assembly - no Oil Filter | | 793103 |
| | Crankcase Assy - Ext Shaft & Oil Filter | | 793171 |
| | Crankcase Assy - Ext Shaft, no Oil Filter | | 793155 |
| 1A | Crankcase | 1 | 793102 |
| 2 | Oil Intake Screen | 1 | 792135 |
| 2B | Oil Filter | 1 | 794726 |
| 2C | Breather Filter | 1 | 792070 |
| 3 | Oil Screen Plug | 1 | 792145 |
| 5A | Oil Pump Kit | 1 | 794760 |
| 7 | Oil Pressure Gauge | 1 | 790012 |
| 11 | Oil Bayonet Assembly | 1 | 792162 |
| 12A | Inspection Plate | 1 | 793105 |
| 13A | Bearing Carrier | 1 | 793104 |
| 15A | Bearing Cup | 2 | 793126 |
| 16 | Crankshaft Assembly (w/ 18A,19,96B) | 1 | 793157 |
| | Crankshaft Assembly-Ext (w/ 18A,19,96B) | | 793191 |
| 18A | Bearing Cone | 2 | 793142 |
| 19 | Orifice | 2 | 792146 |

| Ref | Description | Qty | Part No |
|-----|------------------------------------|-----|---------|
| 20 | Bearing Cover Plate | 1 | 793106 |
| 21 | Oil Seal | 1 | 793143 |
| 22A | Bearing Adjustment Shim Kit | 1 | 793133 |
| 30 | Oil Filter Fitting | 1 | 794725 |
| 60A | Gasket - Oil Screen * | 1 | 792136 |
| 60B | Gasket - Oil Screen Plug * | 1 | 792123 |
| 60C | Gasket - Inspection Plate * | 1 | 793122 |
| 60D | Gasket - Bearing Carrier Assembly* | 1 | 793124 |
| 60L | Gasket - Oil Pump Cover * | 1 | 794721 |
| 61A | O-Ring - Oil Screen * | 1 | 792175 |
| 61D | O-Ring - Oil Bayonet * | 1 | 792174 |
| 63C | Capscrew - Hex Hd | 6 | 793116 |
| 63D | Capscrew - Soc Hd | 4 | 790559 |
| 63E | Capscrew - Hex Hd | 4 | 792093 |
| 63U | Capscrew - Hex Hd | 6 | 792093 |
| 72B | Elbow | 1 | 790453 |
| 73A | Pipe Plug | 1 | 792166 |
| 96A | Pipe Plug | 1 | 790488 |
| 96B | Pipe Plug | 2 | 790309 |

* Included in Gasket Sets



Oil Pump Detail for Models:

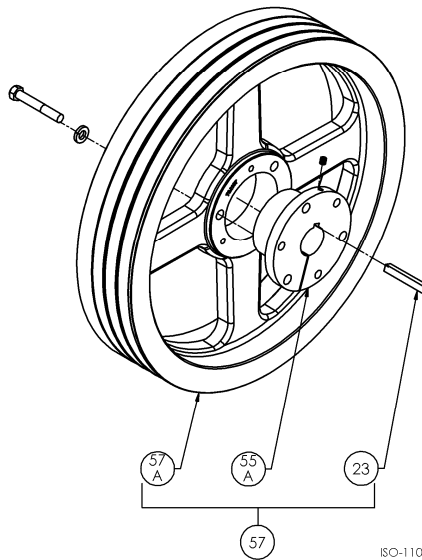
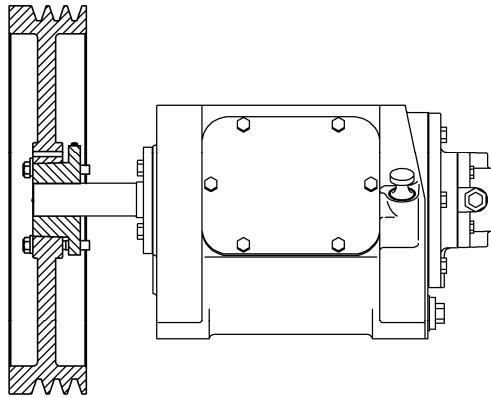
HD161C, HD161B, HD162C, HD162B, HD163C, HD163B, HDS162C
 HD172C, HD172B, HD173C, HD173B, HDL172C, HDL173C, HDS172C
 HDL342B, HDL343B, HDL342C, HDL343C,
 HD361C, HD361B, HD362C, HD362B, HD363C, HD363B, HDS362C,
 HDL362B, HDL363B, HDL362C, HDL363C,
 HD372C, HD372B, HDL372C, HDL372B, HD373C, HD373B, HDL373C, HDL373B, HDS372C
 HD601B, HD602B, HD603B, HDL602B, HDL603B, HDS602B, HDL642B, HDL643B,
 HD612B, HDL612B, HD613B, HDL613B, HDS612B
 HD942A and HDL942A

ISO1083

| Ref | Description | Qty | Part No |
|-----|------------------------------|-----|---------|
| 2B | Oil Filter | 1 | 794726 |
| 5A | Oil Pump Kit (w/ 6, 9F, 60L) | | 794760 |
| 6 | Oil Pump Cone | 1 | 794750 |
| 7 | Oil Pressure Gauge | 1 | 790012 |
| 8A | Oil Pressure Adj. Ball | 1 | 792154 |
| 9A | Oil Pressure Adj. Spring | 1 | 792153 |
| 9F | Oil Pump Spring | 1 | 794751 |
| 10 | Oil Pressure Adj. Screw | 1 | 792148 |
| 10A | Locknut | 1 | 792152 |

| Ref | Description | Qty | Part No |
|-----|---|-----|---------|
| 14 | Oil Pump Cover Assembly - For Filter with 17A, 96B | 1 | 794764 |
| | Oil Pump Cover Assembly - w/ 17A, 96B | | 794763 |
| 17A | Roll Pin | 1 | 794753 |
| 30 | Oil Filter Fitting | 1 | 794725 |
| 60L | Gasket - Oil Pump Cover * | 1 | 794721 |
| 61C | O-Ring - Adjusting Screw * | 1 | 792168 |
| 63D | Capscrew - Soc. Hd | 4 | 790559 |
| 96B | Pipe Plug | 2 | 790309 |

* Included in Gasket Sets



MODELS:

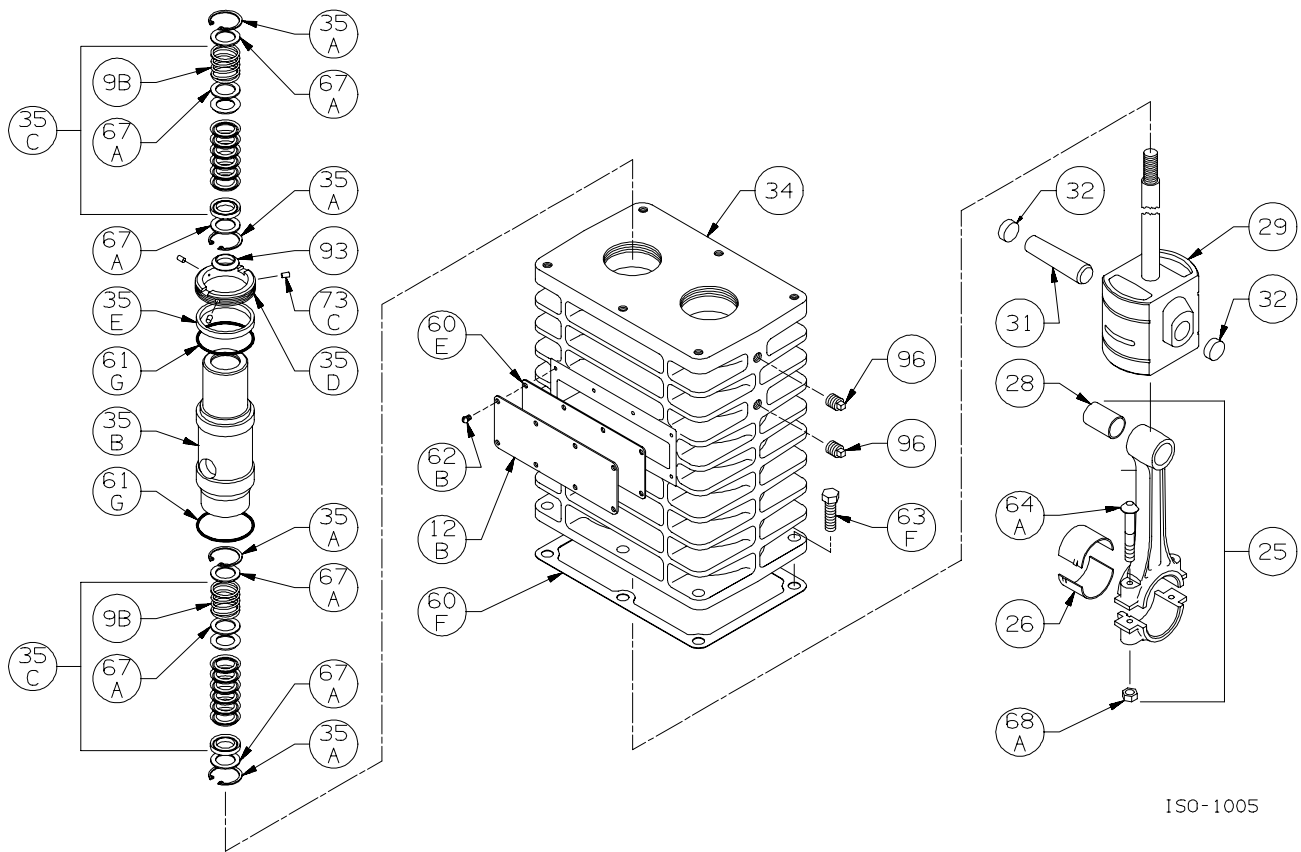
HD361C, HD361B
 HD362C, HD362B
 HD363C, HD363B
 HD372C, HD372B
 HD373C, HD373B

HDS362C
 HDS372C

HDL322C, HDL323C
 HDL342C, HDL342B
 HDL343C, HDL343B
 HDL362C, HDL362B
 HDL363C, HDL363B
 HDL372C, HDL372B
 HDL373C, HDL373B

| Ref | Description | Qty | Part No |
|-----|-------------------|-----|---------|
| 23 | Key | 1 | 793167 |
| 55A | Hub | 1 | 790143 |
| 57 | Flywheel Assembly | 1 | 793047 |
| 57A | Flywheel | 1 | 792197 |

Note: Earlier HD372C, HD372, HD373C and HD373B air-cooled compressors had a fan fitted to the flywheel.



ISO-1005

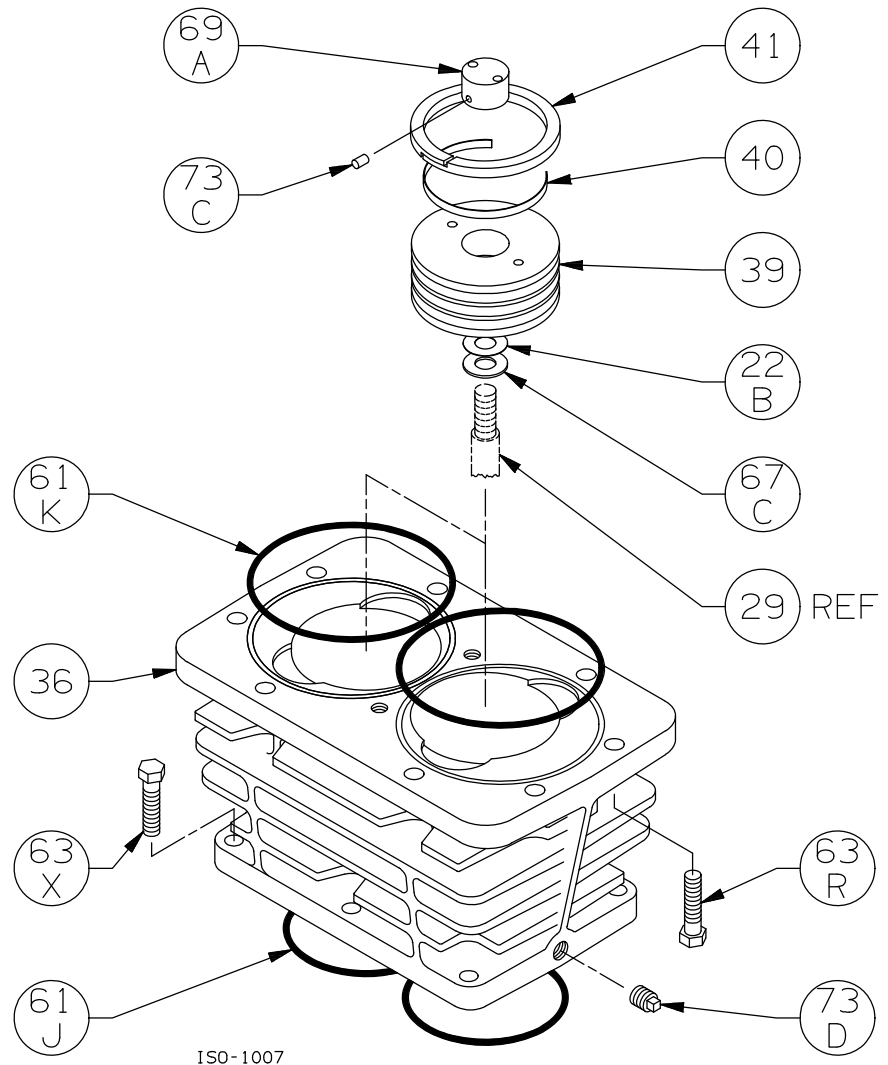
Crosshead Assembly: HDS362C, HDS372C

ISO1005

| Ref | Description | Qty | Part No |
|-----|--|-----|---------|
| 9B | Packing Spring, Stainless Steel | 4 | 793503 |
| 12B | Inspection Plate | 1 | 793093 |
| 25 | Connecting Rod Assembly | 2 | 793309 |
| 26 | Connecting Rod Bearing | 2 | 793002 |
| 28 | Wrist Pin Roller Bearing | 2 | 793305 |
| 29 | Crosshead Assembly top marked '90k' | 2 | 793501 |
| 31 | Wrist Pin | 2 | 793307 |
| 32 | Wrist Pin Plug | 4 | 793308 |
| 34 | Crosshead Guide | 1 | 793455 |
| 35A | Retainer Ring, Stainless Steel | 8 | 793504 |
| 35B | Packing Box (top marked '1018') | 2 | 793502 |
| | Packing Box TNT-12 | | 793505 |
| 35C | Packing Set | 4 | 793506 |
| 35D | Hold-down Ring | 2 | 793220 |
| | Hold-down Ring TNT-12 | | 792810 |

| Ref | Description | Qty | Part No |
|-----|------------------------------------|-----|---------|
| 35E | Spacer Ring | 2 | 793402 |
| | Spacer Ring TNT-12 | | 792821 |
| 60E | Gasket - Inspection Plate * | 1 | 793092 |
| 60F | Gasket - Crankcase * | 1 | 793121 |
| 61G | O-Ring (FKM) * | 4 | 793213 |
| | O-Ring (PTFE) * | | 793211 |
| 62B | Machine Screw - Inspection Plate | 8 | 793096 |
| 63F | Capscrew - Hex Hd, Stainless Steel | 6 | 793153 |
| 64A | Connecting Rod Bolt | 4 | 793006 |
| 67A | Washer - Packing Box | 12 | 792087 |
| 68A | Connecting Rod Bolt Nut | 4 | 793007 |
| 73C | Lock Plug * | 6 | 792030 |
| 93 | Oil Deflector Ring | 2 | 793478 |
| 96 | Pipe Plug | 4 | 793498 |

*Included in Gasket Sets



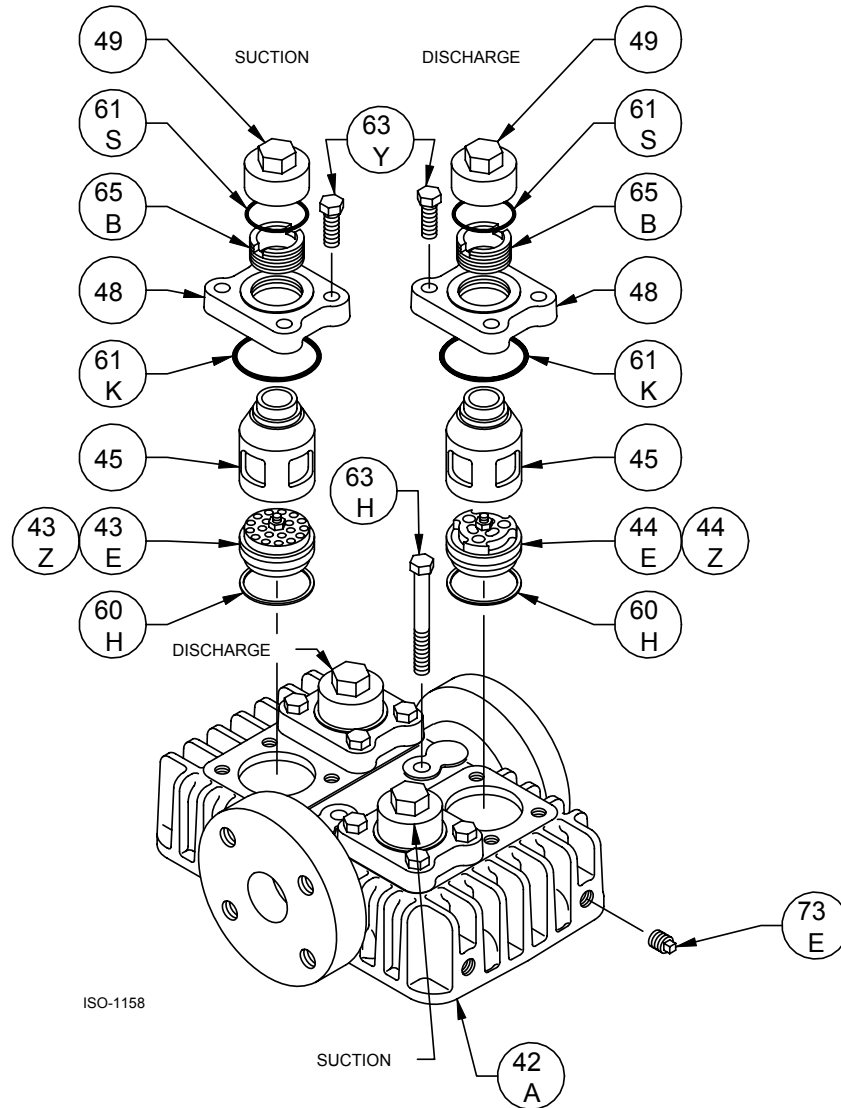
Cylinder Assembly: Model HDS362C

ISO1007

| Ref | Description | Qty | Part No |
|-----|--------------------------------------|-----|---------|
| 22B | Piston Shim - 0.015 | AR | 792034 |
| | Piston Shim - 0.007 | AR | 792050 |
| 36 | Cylinder | 1 | 793045 |
| | Cylinder TNT-12 | | 792824 |
| 39 | Piston | 2 | 793421 |
| | Piston TNT-12 | | 792827 |
| 40 | Expander | 6 | 793415 |
| 41 | Piston Ring – Glass/Moly Filled, Std | 6 | 793406 |
| | Piston Ring - Poly Filled | | 793407 |
| 61J | O-Ring (FKM) * | 2 | 793212 |
| | O-Ring (PTFE) * | | 793210 |

| Ref | Description | Qty | Part No |
|-----|------------------------------------|-----|---------|
| 61K | O-Ring (FKM) * | 2 | 793643 |
| | O-Ring (PTFE) * | | 793642 |
| 63R | Capscrew - Hex Hd, Stainless Steel | 8 | 793150 |
| 63X | Capscrew - Hex Hd, Stainless Steel | 6 | 793151 |
| 67C | Thrust Washer | 2 | 792033 |
| 69A | Piston Nut | 2 | 793022 |
| | Piston Nut TNT-12 | | 792808 |
| 73C | Lock Plug * | 4 | 793028 |
| 73D | Pipe Plug | 1 | 793498 |

* Included in Gasket Sets



ISO-1158

Head Assembly: Model HDS362C

ISO1158

| Ref | Description | Qty | Part No |
|-----|---|-----|---------|
| 42A | Head (ANSI Flanges) | 1 | 793042 |
| | Head TNT-12 (ANSI Flanges) | | 792892 |
| 43E | Suction Valve Assembly | 2 | 793459 |
| | Suction Valve Assembly TNT-12 | | 792870 |
| | Suction Valve Assembly, Stainless Steel | | 793439 |
| 43Z | Valve Repair Kit - For 793459, 792870 | | 793460 |
| | Valve Repair Kit - For 793439 | | 793440 |
| 44E | Discharge Valve Assembly | 2 | 793479 |
| | Discharge Valve Assembly TNT-12 | | 792871 |
| | Discharge Valve Assy, Stainless Steel | | 793449 |
| 44Z | Valve Repair Kit - For 793479, 792871 | | 793460 |
| | Valve Repair Kit - For 793449 | | 793448 |
| 45 | Cage | 4 | 793420 |
| | Cage TNT-12 | | 792818 |
| 48 | Valve Cover Plate | 4 | 793284 |
| | Valve Cover Plate TNT-12 | | 792816 |

| Ref | Description | Qty | Part No |
|-----|------------------------------------|-----|---------|
| 49 | Valve Cap | 4 | 792003 |
| | Valve Cap TNT-12 | | 792804 |
| 60H | Gasket - Valve * | 4 | 793202 |
| 61K | O-Ring (FKM) * | 4 | 793214 |
| | O-Ring (PTFE) * | | 793208 |
| 61S | O-Ring (FKM) * | 4 | 792308 |
| | O-Ring (PTFE) * | | 792307 |
| 61V | O-Ring (FKM) * | 2 | 793213 |
| | O-Ring (PTFE) * | | 793211 |
| 63H | Capscrew - Hex Hd, Stainless Steel | 2 | 793152 |
| 63Y | Capscrew - Hex Hd, Stainless Steel | 16 | 793153 |
| 65B | Valve Holddown Screw | 4 | 792002 |
| | Valve Holddown Screw TNT-12 | | 792806 |
| 73E | Pipe Plug | 2 | 793498 |

* Included in Gasket Sets

Suggested Spare Parts for HDS362C:

| Part # | Description | Qty./Unit | Comm. Qty. | Spare Qty. |
|--|--|-----------|------------|------------|
| 793595 | Gasket Set - FKM | 1 | 1 | 1 |
| 793596 | Gasket Set - PTFE * | | | |
| 793460 | Suction Valve Repair Kit - PEEK | 2 | | 2 |
| 793440 | Suction Valve Repair Kit - Stainless Steel * | | | |
| 793460 | Discharge Valve Repair Kit - PEEK | 2 | | 2 |
| 793448 | Discharge Valve Repair Kit - Stainless Steel * | | | |
| 793406 | Piston Ring - Glass and Moly Filled | 6 | 6 | 6 |
| 793407 | Piston Ring - Poly Filled * | | | |
| 793415 | Piston Ring Expander | 6 | 6 | 6 |
| 793506 | Packing Set | 4 | 4 | 4 |
| 794726 | Oil Filter | 1 | | 6 |
| 793307 | Wrist Pin | 2 | | 2 |
| 793305 | Wrist Pin Bearing | 2 | 2 | 2 |
| 793002 | Conrod Bearing | 2 | 2 | 2 |
| The following parts would normally be required only for major compressor overhaul. | | | | |
| 793142 | Bearing Cone | 2 | | 2 |
| 793126 | Bearing Cup | 2 | | 2 |
| 793501 | Crosshead Assembly | 2 | | 1 |
| 793309 | Conrod Assembly | 2 | | 1 |
| 794760 | Oil Pump Repair Kit | 1 | | |
| 793157 | Crankshaft Assembly | 1 | | |
| 793191 | Extended Crankshaft Assembly * | | | |
| 793133 | Bearing Adjustment Shim Kit | 1 | | |
| 793045 | Cylinder | 1 | | |
| 792824 | Cylinder, TNT-12 PTFE/Nickel Treated * | | | |

* Optional Equipment on New Compressors