

BLACKMER PARTS LIST

962102

PARTS LIST

Page 1 of 2

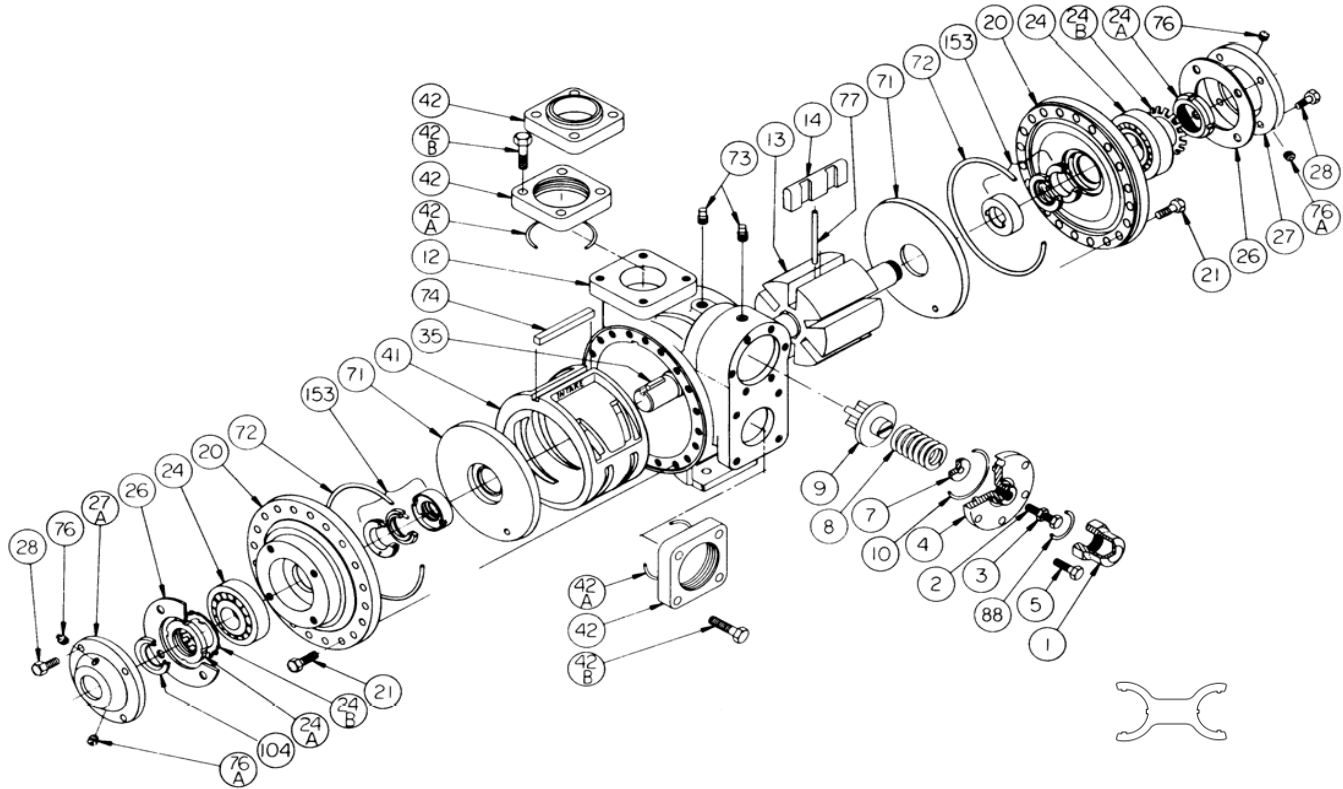
107-B02

MODEL: XLB3

Discontinued models: XL3A-N, XLS3A-N

Keep with Instructions 107-B00 for Installation, Operation and Maintenance

Section 107
Effective Feb 2025
Replaces Sept 2023



Ref. No.	Description	Parts per Pump	Part No.	Ref. No.	Description	Parts per Pump	Part No.
1	Cap - Relief Valve (R/V)	1	414402	26	Gasket - Bearing Cover	2	1385125
2	Adjusting Screw - R/V	1	435109	27	Bearing Cover - Outboard	1	041817
3	Locknut - Adjusting Screw	1	922923	27A	Bearing Cover - Inboard	1	041815
4	Cover - R/V	1	415109	28	Capscrews - Bearing Cover	12	920285
5	Capscrew - R/V Cover	6	920331	35	Key - Shaft Square	1	^{1,3} 909209
7	Spring Guide - R/V	1	425109	41	Liner	1	² 185116
8	Spring - R/V (51-100 psi) Spring - R/V (101-150 psi)	1	471621 475109	42-42B	Flanges		See Back
9	Valve - R/V	1	455109	71	Disc	2	² 065112
10	O-Ring - R/V Cover (FKM) O-Ring - R/V Cover (Buna-N) O-Ring - R/V Cover (PTFE)	1	¹ 701924 701925 702079	72	O-Ring - Head (FKM) O-Ring - Head (PTFE) O-Ring - Head (Buna)	2	¹ 711938 702082 702041
12	Casing	1	015127	73	Gage Plug	2	908198
13	Rotor & Shaft Rotor & Shaft, Corrosion Resistant (Both include Ref. 24A & 24B)	1	² 265149 265204	74	Key - Liner	1	² 185191
14	Vane - Duravane (Std.) Vane - EC Cast Iron Vane - EC Laminate	6	¹ 095131 095119 095107	76	Grease Fitting	2	317815
20	Head	2	035128	76A	Grease Relief Fitting	2	701992
21	Capscrews - Head	40	920369	77	Push Rod	3	¹ 125105
24	Ball Bearing	2	¹ 903172	88	O-Ring - R/V Cap (FKM) O-Ring - R/V Cap (PTFE) O-Ring - R/V Cap (Buna)	1	¹ 701979 702075 711917
24A	Locknut - Bearing	2	² 903523	104	Grease Seal	1	¹ 331908
24B	Lockwasher - Bearing	2	¹ 903524		Tool - Locknut		903091
					Kit - Maintenance		898964
					Kit - Rebuild		899064

¹Included in Maintenance Kit and Rebuild Kit

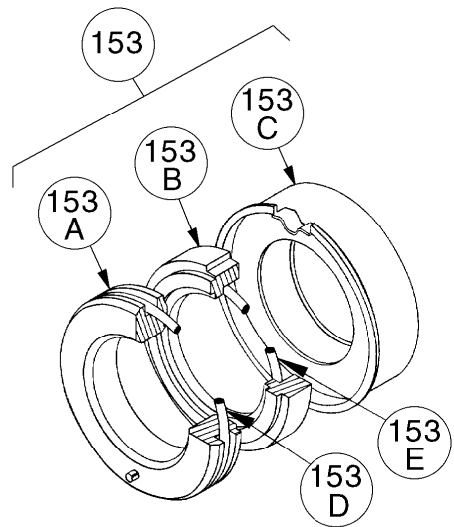
²Included in Rebuild Kit

EC = Extra Clearance

³Maintenance and Rebuild Kits also include Woodruff Key 909130 used previously.

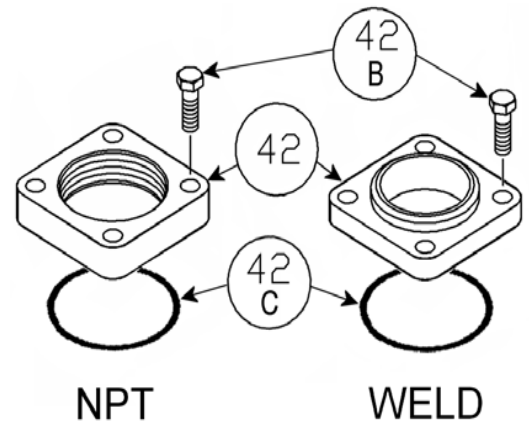
MECHANICAL SEALS

Ref. No.	Part Name	Parts Per Pump	Part No.
153	Mechanical Seal Complete – (Std.) Hardened Steel Stationary Seat, Carbon Seal Face, FKM O-Rings. (SVCV)	2	1335129
	Mechanical Seal Complete – Hardened Steel Stationary Seat, PTFE O-Ring, Carbon Seal Face w/PTFE Seal Ring. (SACT)		335175
	Mechanical Seal Complete – Silicon Carbide Stationary Seat, PTFE O-Ring, Carbon Seal Face w/PTFE Seal Ring. (LACT)		335299
	Mechanical Seal Complete – Silicon Carbide Stationary Seat, Carbon Seal Face, FKM O-Rings. (LVCV)		335298
	Mechanical Seal Complete – Hardened Steel Stationary Seat, Carbon Seal Face, Buna O-Rings. (SNCN)		335225
153A#	Stationary Seat (Hardened Steel) Stationary Seat (Silicon Carbide)	2	---
153B#	Rotating Seal Face (Carbon)	2	---
153C#	Jacket Assembly	2	---
153D	O-Ring – Stationary (FKM)	2	702015
	O-Ring – Stationary (PTFE)		711999
	O-Ring – Stationary (Buna)		702025
153E	O-Ring – Rotating (FKM)	2	701962
	Seal Ring – Rotating (PTFE)		701963
	O-Ring – Rotating (Buna)		711912



¹Included in Maintenance Kit and Rebuild Kit

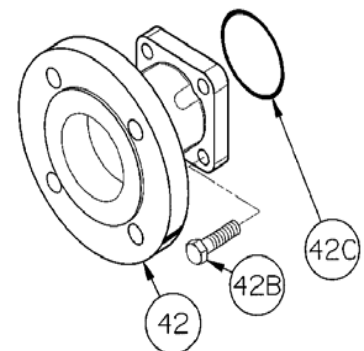
These components are included in the complete mechanical seal assemblies (Ref. No. 153), and are NOT available as replacement parts. Consult factory.



NPT

WELD

Ref. No.	Part Name	Parts Per Pump	Size 3 Part No.
42	Flange - NPT	1-2	655112
	Flange - Weld		655102
	Flange – ANSI 3” 150 lb. R.F.		651817
42C	O-Ring Flange (FKM) (Std)	2	711931
	O-Ring - Flange (PTFE)		702080
	O-Ring - Flange (Buna)		702002
42B	Capscrew- NPT Flange	8	920547
	Capscrew – Weld/ANSI Flg		920510



ANSI FLANGE

