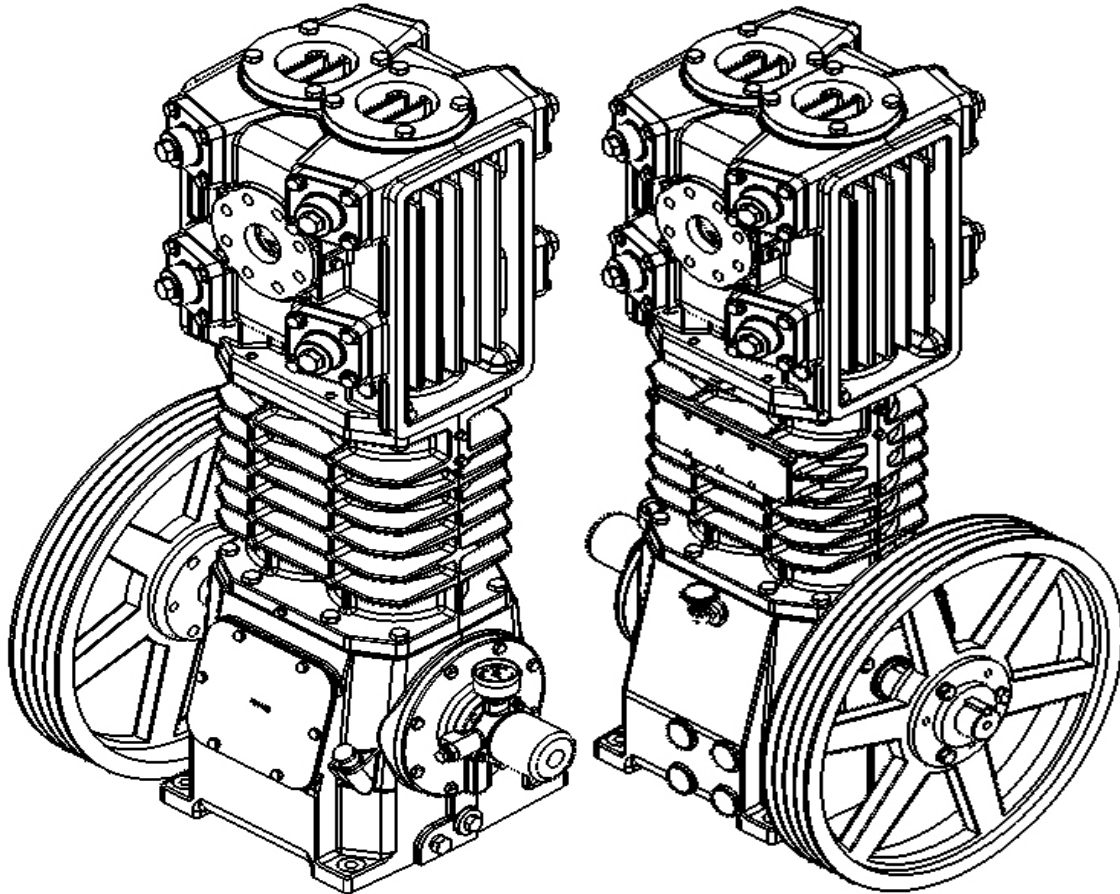


NG942B PARTS LIST

(See Instructions 601-B00 for Operation and Maintenance)

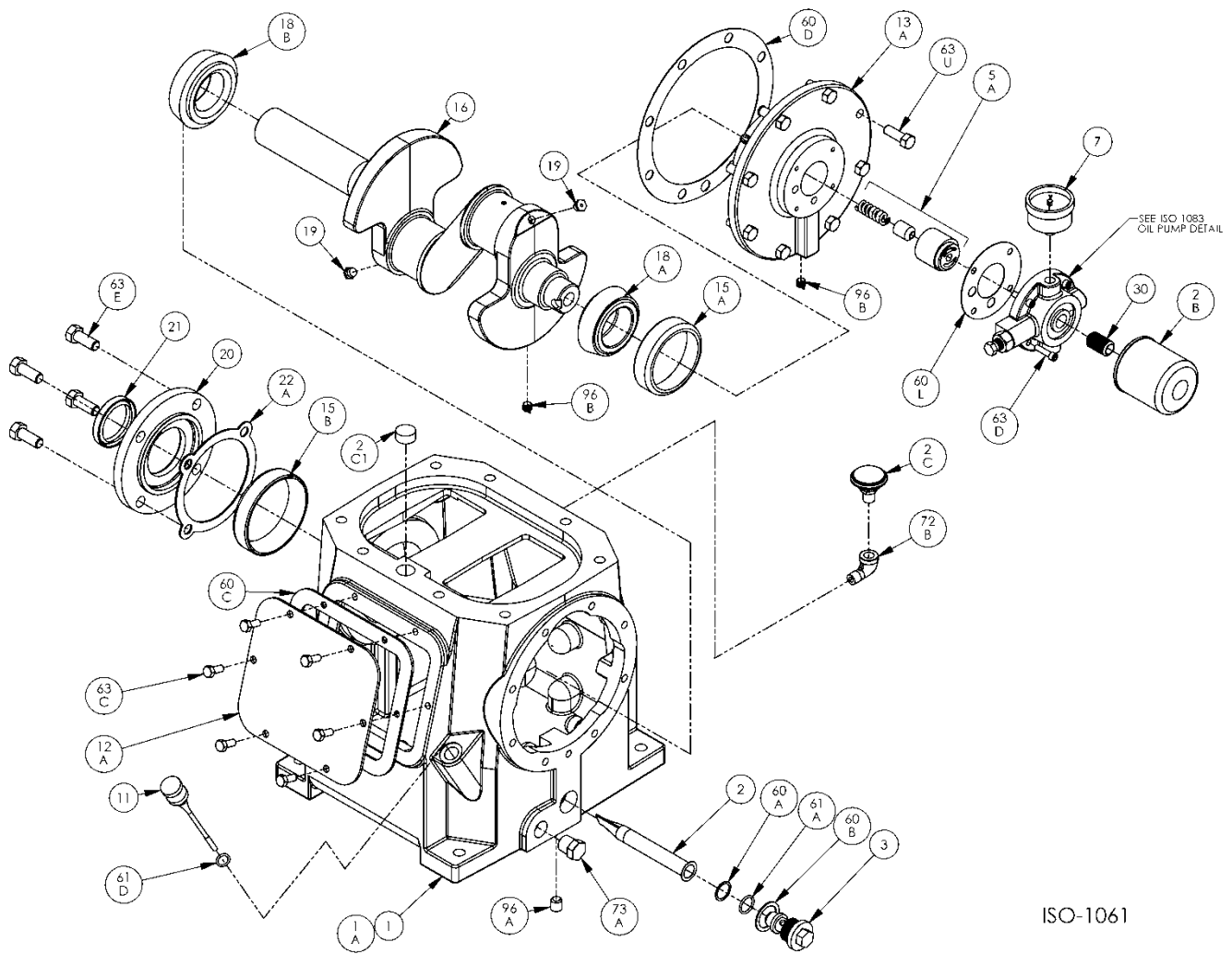
Serial # _____

ID# _____



Gasket Set, Repair Kits and Special Tools

Gasket Set	FKM & Iron	794794
Packing Installation Tool		790540
Valve Hold Down Screw Tool		798016
Spanner Wrench, 1/4" Adjustable		790316
Wrench for Valve Hold Down Screw		790535
Tool Kit		790199



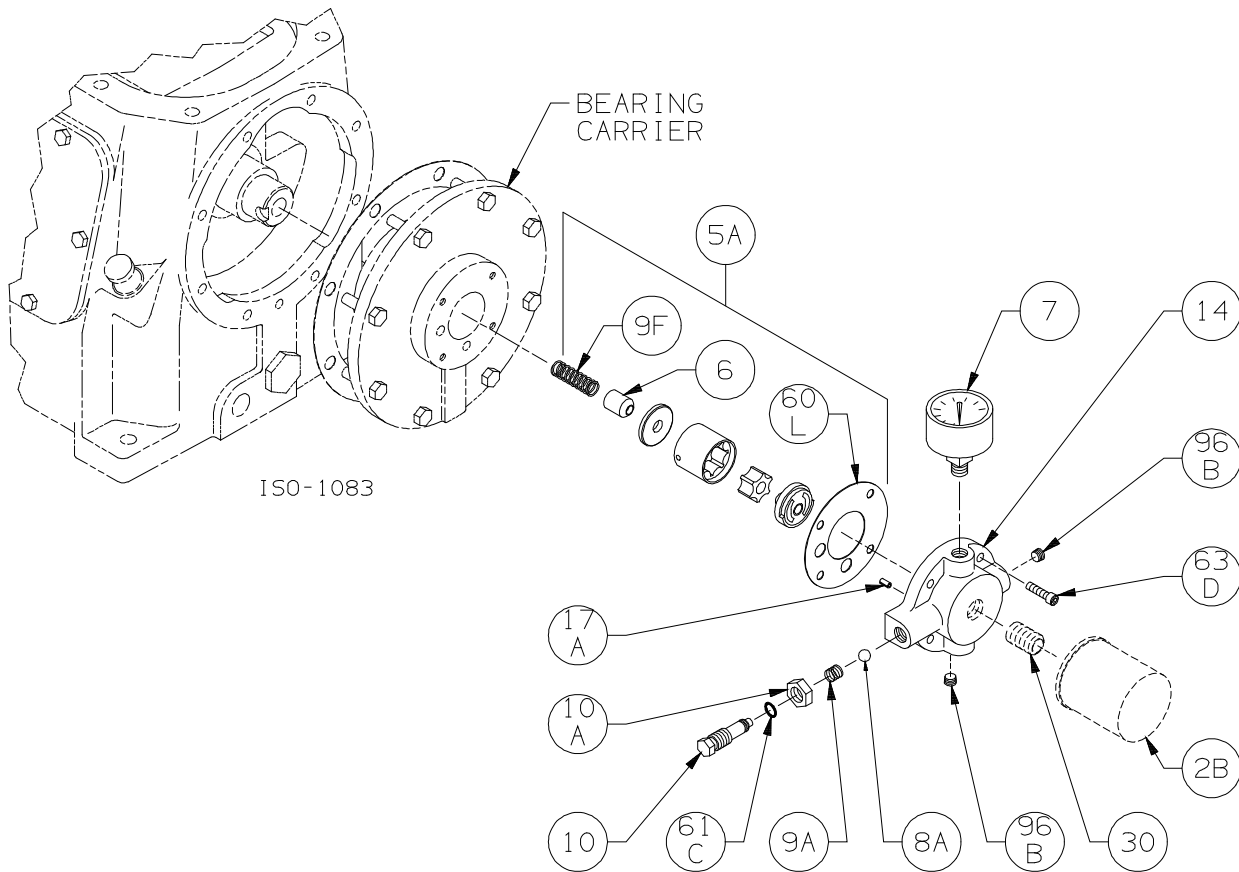
Crankcase

Ref	Description	Qty	Part No
1	Crankcase Assembly	1	794758
1A	Crankcase	1	794709
2	Oil Intake Screen	1	792135
2B	Oil Filter	1	794726
2C	Breather Filter (current)	1	792070
2C1	Breather Filter (previous construction)		794752
3	Oil Screen Plug	1	792145
5A	Oil Pump Kit	1	794760
7	Oil Pressure Gauge	1	790012
11	Oil Bayonet Assembly	1	792162
12A	Inspection Plate	1	794140
13A	Bearing Carrier	1	794714
15A	Bearing Cup (Outboard)	1	794131
15B	Bearing Cup (Inboard)	1	794731
16	Crankshaft Assy (w/ 18A,18B,19,96B)	1	794708
18A	Bearing Cone (Outboard)	1	794130
18B	Bearing Cone (Inboard)	1	794730
19	Orifice	2	792146
20	Bearing Cover Plate	1	794716

ISO1056

Ref	Description	Qty	Part No
21	Oil Seal	1	794732
22A	Bearing Adjustment Shim Kit	1	794733
30	Oil Filter Fitting	1	794725
60A	Gasket - Oil Screen *	1	792136
60B	Gasket - Oil Screen Plug *	1	792123
60C	Gasket - Inspection Plate *	1	794122
60D	Gasket - Bearing Carrier Assy *	1	794720
60L	Gasket - Oil Pump Cover *	1	794721
61A	O-Ring - Oil Screen *	1	792175
61D	O-Ring - Oil Bayonet *	1	792174
63C	Capscrew - Hex Hd	6	793116
63D	Capscrew - Soc Hd	4	790559
63E	Capscrew - Hex Hd	4	790484
63U	Capscrew - Hex Hd	8	792093
72B	Elbow	1	790453
73A	Pipe Plug	1	790024
96A	Pipe Plug	1	790488
96B	Pipe Plug	2	790309

* Included in Gasket Sets



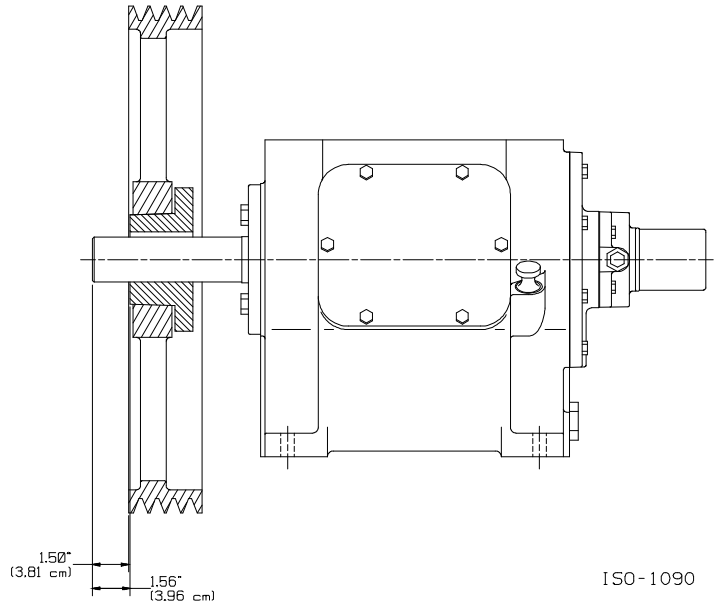
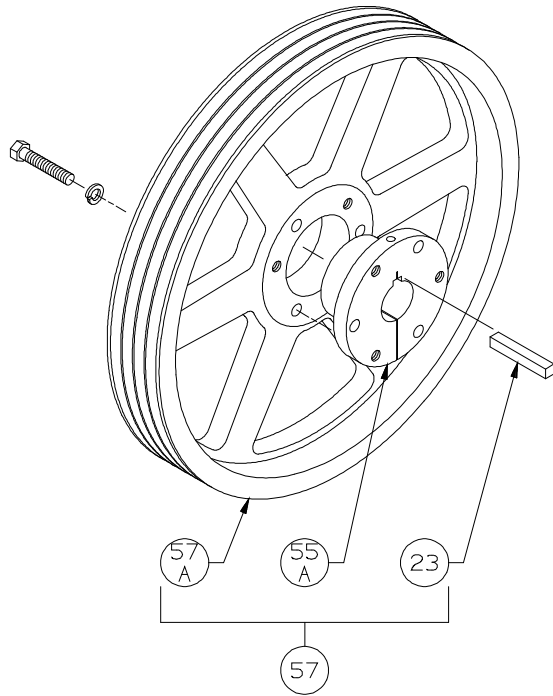
Oil Pump

Ref	Description	Qty	Part No
2B	Oil Filter	1	794726
5A	Oil Pump Kit (with 6, 9F, 60L)		794760
6	Oil Pump Cone	1	794750
7	Oil Pressure Gauge	1	790012
8A	Oil Pressure Adj. Ball	1	792154
9A	Oil Pressure Adj. Spring	1	792153
9F	Oil Pump Spring	1	794751
10	Oil Pressure Adj. Screw	1	792148
10A	Locknut	1	792152

ISO1083

Ref	Description	Qty	Part No
	Oil Pump Cover Assembly - For Filter		794764
14	Oil Pump Cover Assembly (includes 17A, 96B)	1	794763
17A	Roll Pin	1	794753
30	Oil Filter Fitting	1	794725
60L	Gasket - Oil Pump Cover *	1	794721
61C	O-Ring - Adjusting Screw *	1	792168
63D	Capscrew - Socket Head	4	790559
96B	Pipe Plug	2	790309

* Included in Gasket Sets

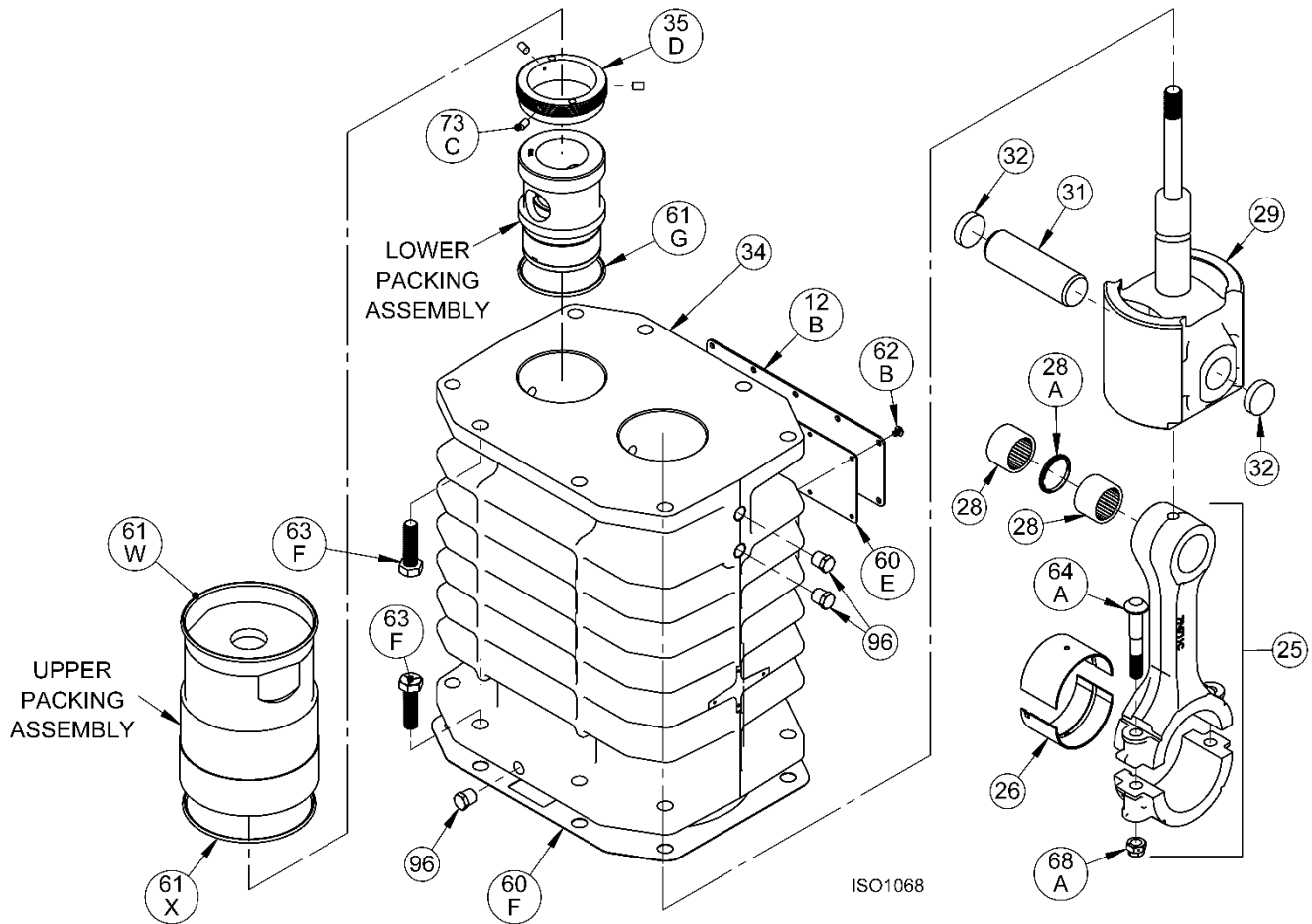


ISO-1090

Flywheel

ISO1090

Ref	Description	Qty	Part No
23	Key	1	794267
55A	Hub	1	790505
57	Flywheel Assembly	1	794755
57A	Flywheel	1	790539



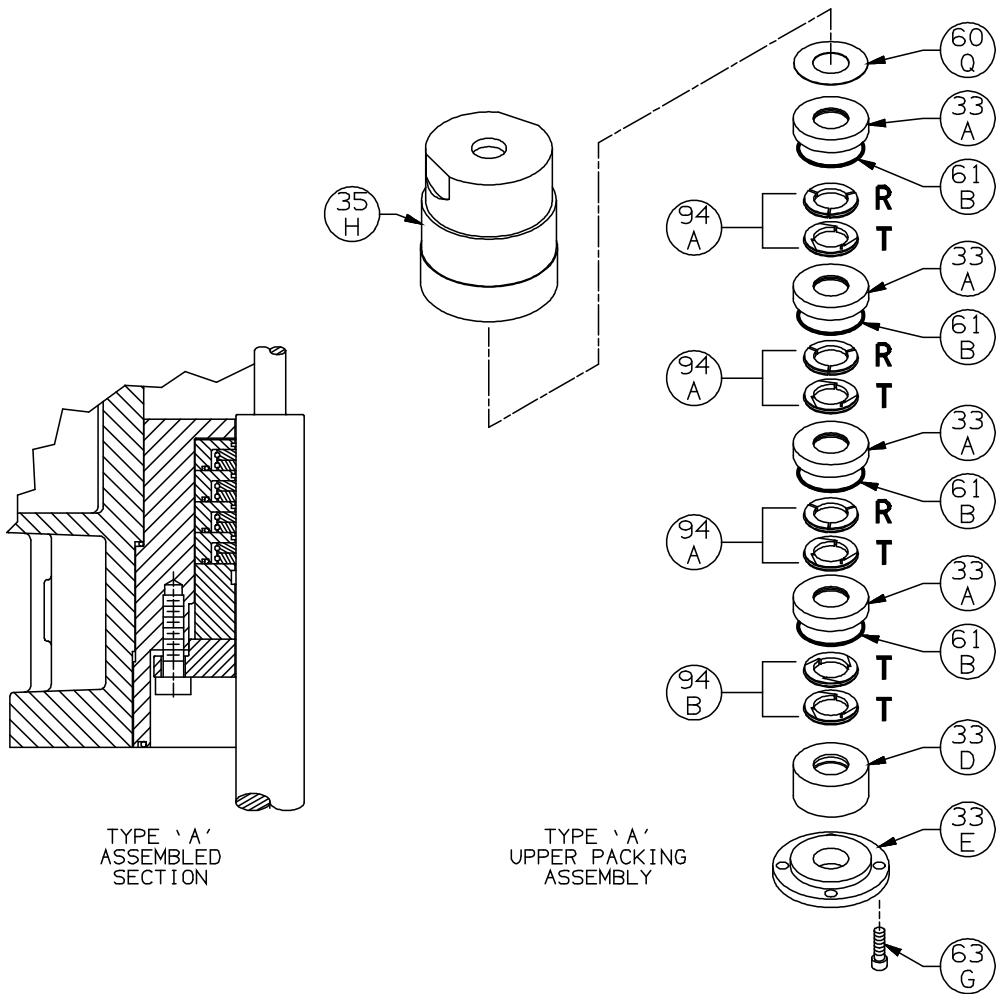
Crosshead

Ref	Description	Qty	Part No
12B	Inspection Plate	1	794093
25	Connecting Rod Assembly	2	794767
26	Connecting Rod Bearing	2	794710
28	Wrist Pin Bearing	4	794776
28A	Bearing Spacer	2	794770
29	Crosshead Assembly	2	794785
31	Wrist Pin	2	794727
32	Wrist Pin Plug	4	794724
34	Crosshead Guide	1	794430
35D	Hold-down Ring	2	794220
60E	Gasket - Inspection Plate *	1	794092

ISO1068-5

Ref	Description	Qty	Part No
60F	Gasket - Crankcase *	1	794121
61G	O-Ring (FKM) *	2	794213
61W	O-Ring (FKM) *	2	792316
61X	O-Ring (FKM) *	2	792253
62B	Machine Screw - Inspection Plate	10	793096
63F	Capscrew - Hex Hd	16	794094
64A	Connecting Rod Bolt	4	794012
68A	Connecting Rod Bolt Nut	4	794013
73C	Lock Plug *	6	794028
96	Pipe Plug	4	908198

* Included in Gasket Sets



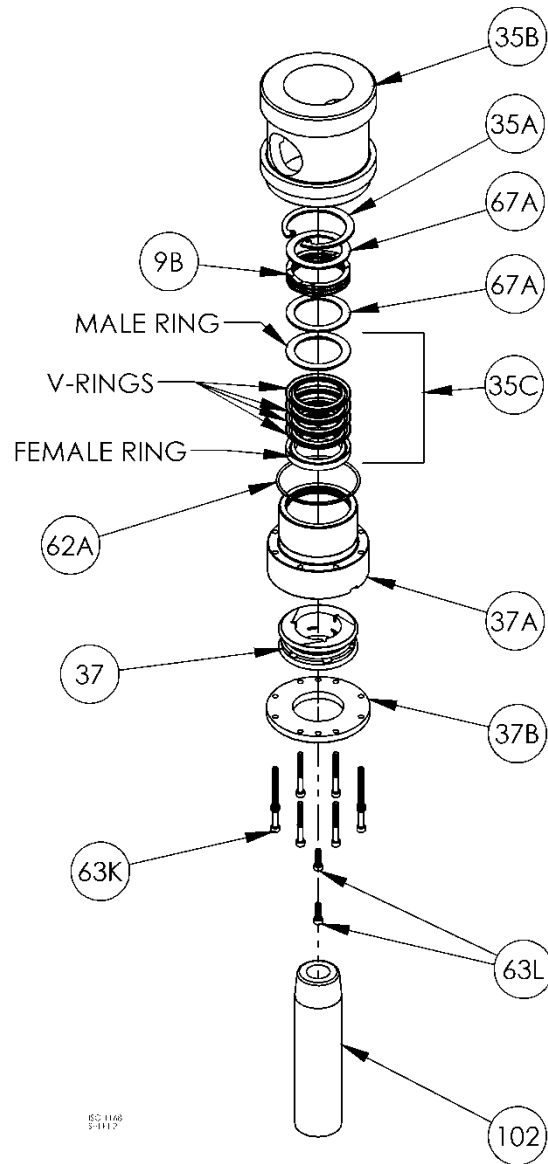
Upper Packing Box - Type 'A'

ISO1060

Ref	Description	Qty	Part No
33A	Packing Cup	8	794783
33D	Packing Spacer	2	794745
33E	Packing Gland	2	794781
35H	Packing Box - Upper	2	794780
60Q	Gasket - Packing Cup *	2	794754

Ref	Description	Qty	Part No
61B	O-Ring (FKM) *	8	792261
63G	Capscrew - Socket Hd	8	790483
94A	Packing Ring - R/T	6	794746
94B	Packing Ring - T/T	2	794747

*Included in Gasket Sets



Lower Packing Box

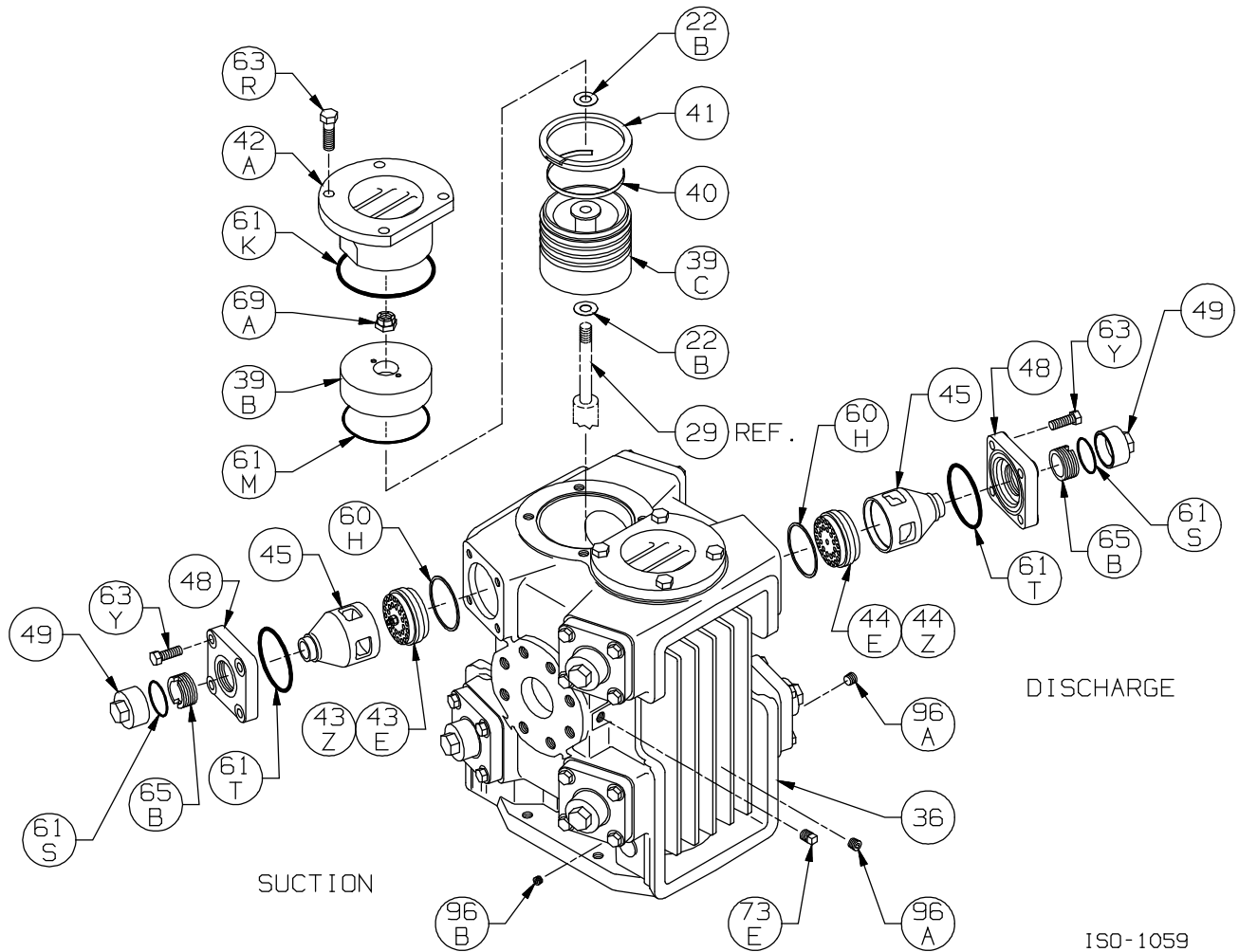
ISO1168-2

Ref	Description	Qty	Part No
9B	Packing Spring	2	794041
35A	Retainer Ring	2	794080
35B	Packing Box - Lower	2	794772
35C	Packing Set	2	794498
37	S3R Seal	2	794456
37A	Seal Cup	2	794455

Ref	Description	Qty	Part No
37B	Seal Cup Cover	2	794454
62A	O-Ring (FKM) *	2	792313
63K	Capscrew - Socket Hd	16	794460
63L	Capscrew - Socket Hd	4	794461
67A	Washer - Packing Box	4	794084
102	Packing Installation Tool	1	790540

*Included in Gasket Sets

Refer to the Compressor IOM for proper orientation of components.



Cylinder

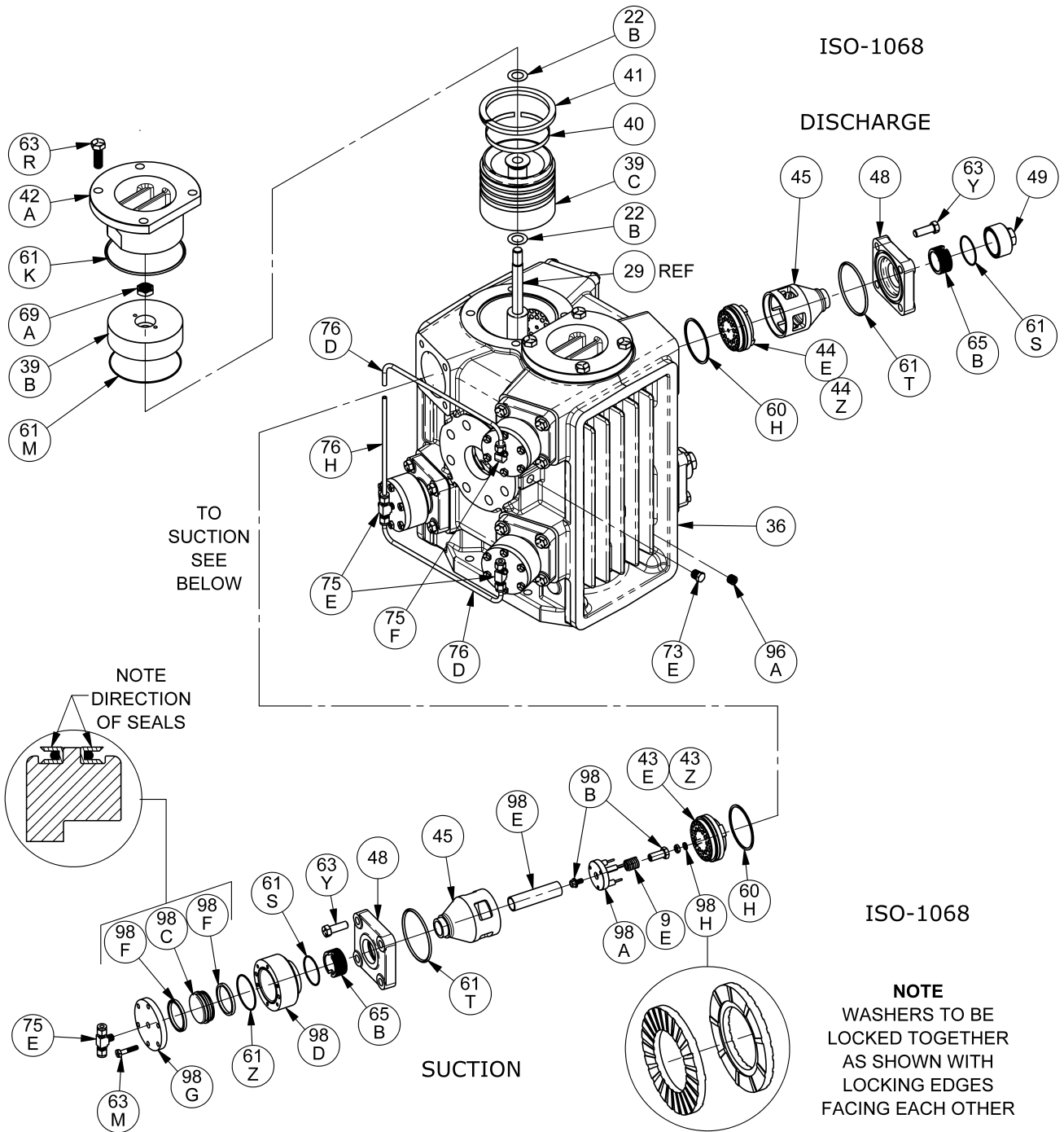
ISO1059

Ref	Description	Qty	Part No
22B	Piston Shim – 0.007"	AR	794761
	Piston Shim – 0.015"		794762
	Piston Shim – 0.025"		797022
	Piston Shim – 0.035"		797023
	Piston Shim – 0.040"		797024
36	Cylinder	1	794704
39B	Piston Cap	2	794719
39C	Piston	2	794718
40	Expander	8	793614
41	Piston Ring - Std	8	793610
42A	Head	2	794702
43E	Suction Valve Assembly	4	793659
	Suction Valve Assy, Stainless Steel		793629
43Z	Valve Repair Kit - For 793659/793679	4	793660
	Valve Repair Kit - For 793629		793630
44E	Discharge Valve Assembly	4	793679
	Discharge Valve Assy, Stainless Stl		793649

Ref	Description	Qty	Part No
44Z	Valve Repair Kit - For 793659/793679	4	793660
	Valve Repair Kit - For 793649		793650
45	Cage	8	794620
48	Valve Cover Plate	8	794284
49	Valve Cap	8	792003
60H	Gasket - Valve *	8	794198
61K	O-Ring (FKM) *	2	792316
61M	O-Ring (FKM) *	2	792061
61S	O-Ring (FKM) *	8	792308
61T	O-Ring (FKM) *	8	792213
63R	Capscrew - Hex Hd	8	794097
63Y	Capscrew - Hex Hd	32	793094
65B	Valve Holddown Screw	8	792002
69A	Piston Nut	2	790487
73E	Pipe Plug - 1/4	4	908198
96A	Pipe Plug - 1/4 Socket	4	790488
96B	Pipe Plug - 1/8 Socket	2	790309

AR As Required

* Included in Gasket Sets



Cylinder with Unloaders

OVER....
ISO1068

Ref	Description	Qty	Part No
9E	Unloader Spring	4	793293
22B	Piston Shim – 0.007"	AR	794761
	Piston Shim – 0.015"		794762
	Piston Shim – 0.025"		797022
	Piston Shim – 0.035"		797023
	Piston Shim – 0.040"		797024
36	Cylinder	1	794704
39B	Piston Cap	2	794719
39C	Piston	2	794718
40	Expander	8	793614
41	Piston Ring – Glass/Moly Filled	8	793610
42A	Head	2	794702
43E	Suction Valve Assembly	4	793659
	Suction Valve Assy, Stainless Steel		793629
43Z	Valve Repair Kit - for 793659/793679		793660
	Valve Repair Kit - for 793629		793630
44E	Discharge Valve Assembly	4	793679
	Discharge Valve Assy, Stainless Stl		793649
44Z	Valve Repair Kit - for 793659/793679		793660
	Valve Repair Kit - for 793649		793650
45	Cage	8	794620
48	Valve Cover Plate	8	794284
49	Valve Cap	4	792003
60H	Gasket - Valve *	8	794198
61K	O-Ring (FKM) *	2	792316

Ref	Description	Qty	Part No
61M	O-Ring (FKM) *	2	792061
61S	O-Ring (FKM) *	8	792308
61T	O-Ring (FKM) *	8	792213
61Z	O-Ring (FKM) *	4	792313
63M	Capscrew - Hex Hd	24	797093
63R	Capscrew - Hex Hd	8	794097
63Y	Capscrew - Hex Hd	32	793094
65B	Valve Holddown Screw	8	792002
69A	Piston Nut	2	790487
73E	Pipe Plug - 1/4	4	908198
75D	Tube Elbow	1	790355
75E	Tube Tee	3	790356
76D	Tube 1/4" SS	2	790115
76H	Tube 1/4" SS	1	790116
96A	Pipe Plug - 1/4 Socket	4	790488
96B	Pipe Plug - 1/8 Socket	2	790309
98A	Actuator Assembly	4	794296
	Actuator Assembly, for SS Valve		794298
98B	Unloader Post w/bolt	4	793291
	Unloader Post w/bolt , for SS Valve		794291
98C	Unloader Piston	4	793288
98D	Unloader Body	4	793286
98E	Unloader Plunger	4	794290
98F	Unloader Seal	8	792284
98H	Lockwasher (2 piece)	4	793473
98G	Unloader Cap	4	793287

* Included in Gasket Sets

Suggested Spares

Part #	Description	Qty./ Unit	Comm. Qty.	Spare Qty.
794794	Gasket Set – FKM *, Iron	1	1	1
793660 793630	Suction Valve Repair Kit Suction Valve Repair Kit - Stainless Steel *	4		4
793660 793650	Discharge Valve Repair Kit Discharge Valve Repair Kit - Stainless Steel *	4		4
793610	Piston Ring	8	8	8
793614	Piston Ring Expander	8		8
794746	Upper Packing Ring - R/T	6	6	6
794747	Upper Packing Ring - T/T	2	2	2
794498	Lower Packing Set	2	2	2
794726	Oil Filter	1	1	6
794727	Wrist Pin	2		2
794776	Wrist Pin Roller Bearing	4	4	4
794710	Conrod Bearing	2	2	2
The following parts would normally be required only for major compressor overhaul.				
794730	Inboard Bearing Cone	1		1
794731	Inboard Bearing Cup	1		1
794130	Outboard Bearing Cone	1		1
794131	Outboard Bearing Cup	1		1
794785	Crosshead Assembly	2		1
794767	Conrod Assembly	2		1
794456	S3R Seal	2		2
794760	Oil Pump Repair Kit	1		
794708	Crankshaft Assembly	1		
794733	Bearing Adjustment Shim Kit	1		
794704	Cylinder	1		

* FKM O-rings used currently are interchangeable with the Buna-N O-rings supplied previously.

Notes: