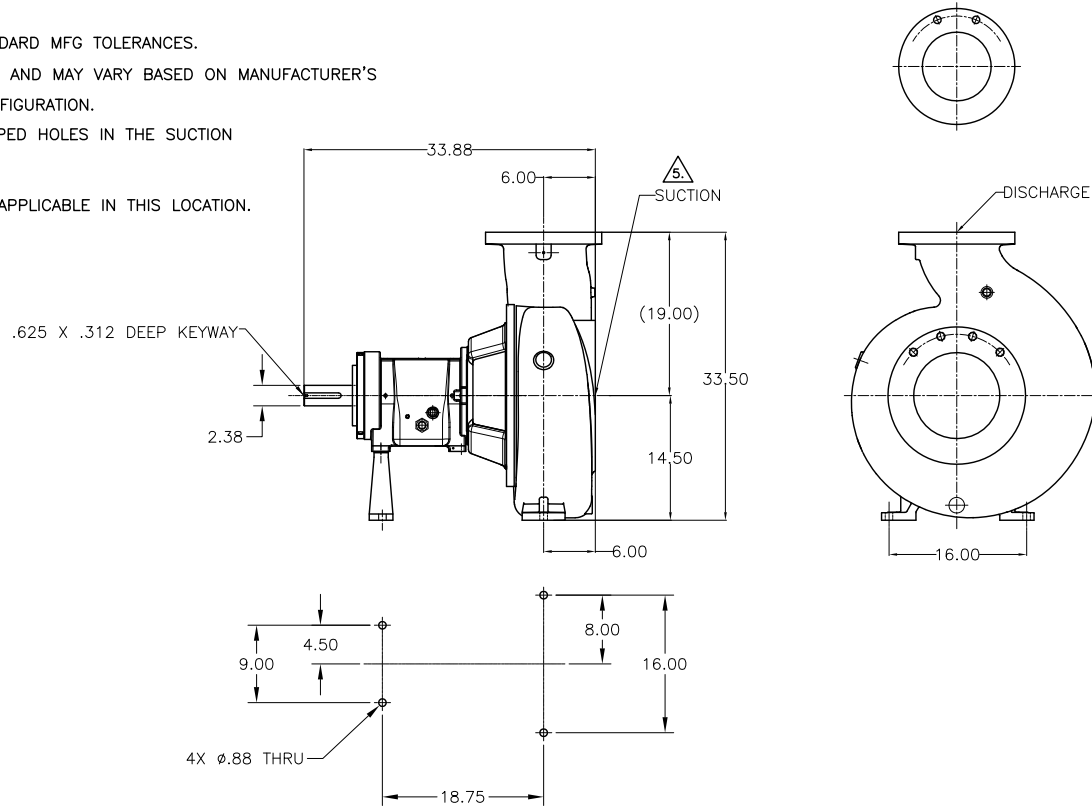


REV.	DESCRIPTION	BY	CHK.	APP.	DATE
A	RELEASED INTO PRODUCTION SEE ECN #G01031	-	-	-	-

NOTES: UNLESS OTHERWISE SPECIFIED

1. DIMENSIONS AND TOLERANCES PER ASME Y14.5M-1994.
2. * INDICATES DIMENSIONS AND/OR FEATURES MODIFIED ON CURRENT REVISION LEVEL.
3. DIMENSIONS REFLECT STANDARD MFG TOLERANCES.
4. WEIGHTS ARE APPROXIMATE AND MAY VARY BASED ON MANUFACTURER'S MATERIALS AND PUMP CONFIGURATION.
5. THIS PUMP MAY HAVE TAPPED HOLES IN THE SUCTION FLANGE PER ASME B73.1.
6. HEAVY HEX NUTS ARE NOT APPLICABLE IN THIS LOCATION.



FLANGE OPTION DIMENSIONS

OPTION	NOMINAL PIPE SIZE	FLANGE DIAMETER	BOLT CIRCLE DIAMETER	NO. OF BOLTS	DIAMETER OF BOLTS	BOLT HOLE	FLANGE
✓	8" ASME 150# (SHOWN)						DISCHARGE
	8.00	13.50	11.75	8	0.75	0.88	
✓	10" ASME 150# (THD) 5						SUCTION
	10.00	17.50	14.25	12	.88	.875-9 UNC-2B	
✓	8" ASME 300# 6						DISCHARGE
	8.00	15.00	13.00	12	0.88	1.00	
✓	10" ASME 300# (THD) 5						SUCTION
	10.00	17.50	15.25	16	1.00	1.00-8 UNC-2B	
✓	200 mm DIN PN16						DISCHARGE
	200 mm	340 mm	295 mm	12	20 mm	23 mm	
✓	250 mm DIN PN16 (THD) 5						SUCTION
	250 mm	405 mm	355 mm	12	24 mm	M24 x 3 6H	

CERTIFIED FOR CONSTRUCTION

ONLY WHEN SIGNED

Signature _____
Date _____
Customer _____
Customer P.O. # _____

4. PUMP WT.- 845 LBS

OPTION	AVAILABLE OPTIONS
✓	PUMP MATERIAL
	N6 DUCTILE IRON
	N6 DUCTILE IRON CASE / 91 SS IMPELLER
	91 STAINLESS STEEL
	20 HASTELLOY
	X4 CD4MCU SS
	OTHER:
	FLANGE FACE
	FLAT FACE
	RAISED FACE

DO NOT SCALE DRAWING UNLESS OTHERWISE SPECIFIED DIMENSIONS ARE IN INCHES TOLERANCES ARE:		<p>GRISWOLD PUMP COMPANY 2295 VAN BUREN STREET GRAND TERRACE, CA 92313-9697 PHONE: (909) 942-2222 / (925) 226-5255 WWW.GRISWOLDPUMP.COM</p>	
DECIMALS .XX ± -			
.XXX ± -		TITLE 10 X 8 - 16H A120 ANSI PEO, XL PF	
ANGLES ± -		DRAWN BY R. Schwartz DATE 01/26/17 ASSY. NO. -	
SCALE 1/8 SHEET 1 OF 1		CHECKED BY R. Beach DATE 1/26/17 DRAWING NO. LG0796 REV. A	
		APPROVED BY B. Backman DATE 1/26/17	

THIS DOCUMENT AND ITS CONTENTS ARE PROPRIETARY TO GRISWOLD PUMP ANY REPRODUCTION, DISCLOSURE OR USE OF THIS DOCUMENT IS EXPRESSLY PROHIBITED EXCEPT AS OTHERWISE AGREED TO IN WRITING.