



Model HH – Close-Coupled Configuration

PERFORMANCE

HH/4X3X8

Max. Flow Rate: 285 gpm

Max. Head: 280 ft.

Max. Working Temperature: 100° F

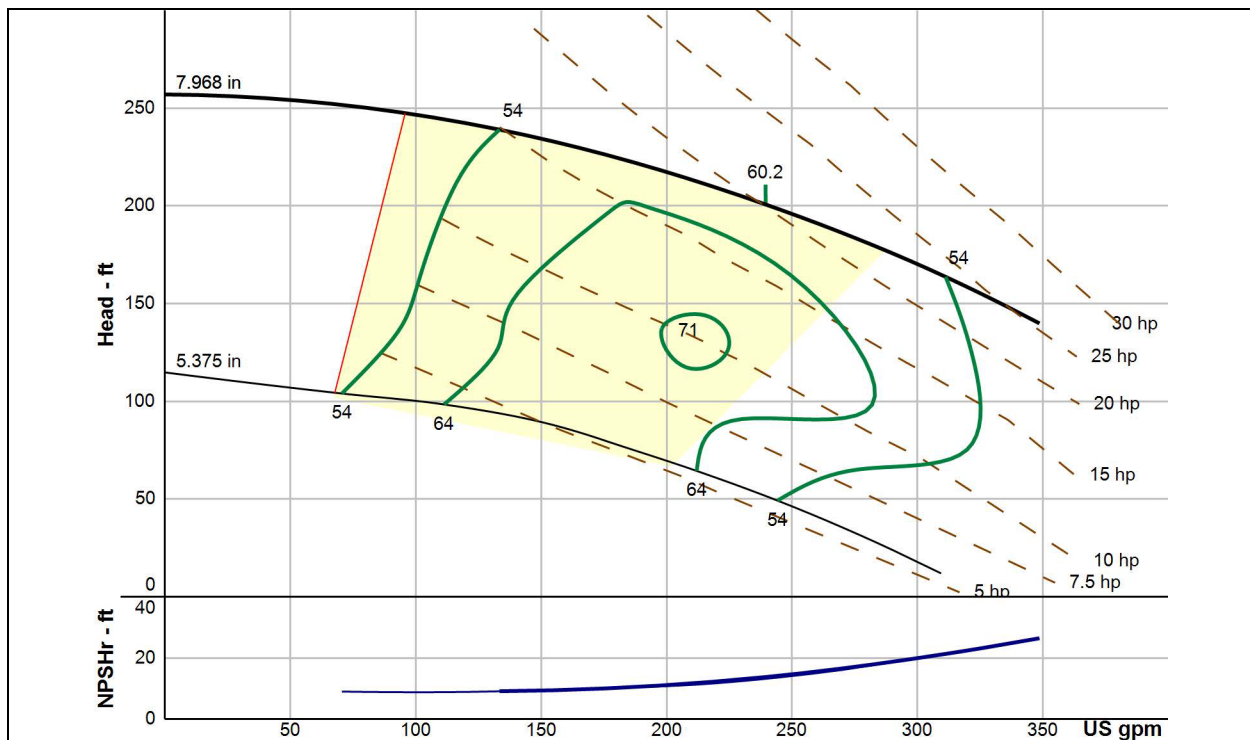
Max. Working Pressure: 110 psi

Max. Rated Speed: 3600 RPM

Max. Particle Size: 0.28" Diameter

Hydrotest Pressure: 165 psi

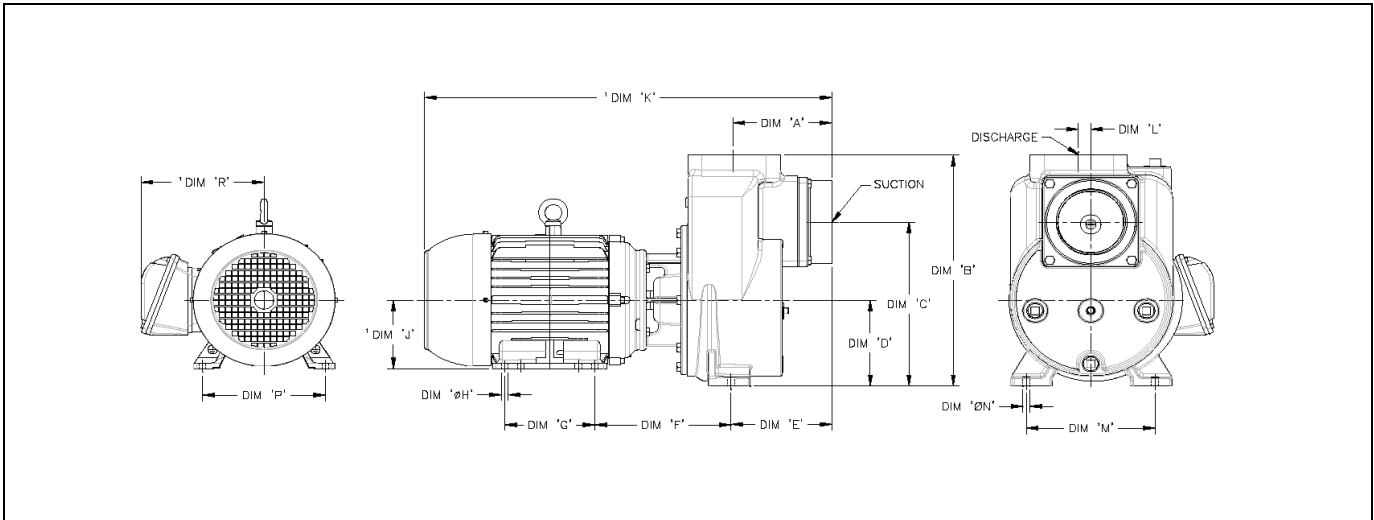
PERFORMANCE CURVE – HH/4X3X8, 3600 RPM



H SERIES – Model HH – Close-Coupled



DIMENSIONS (INCHES)

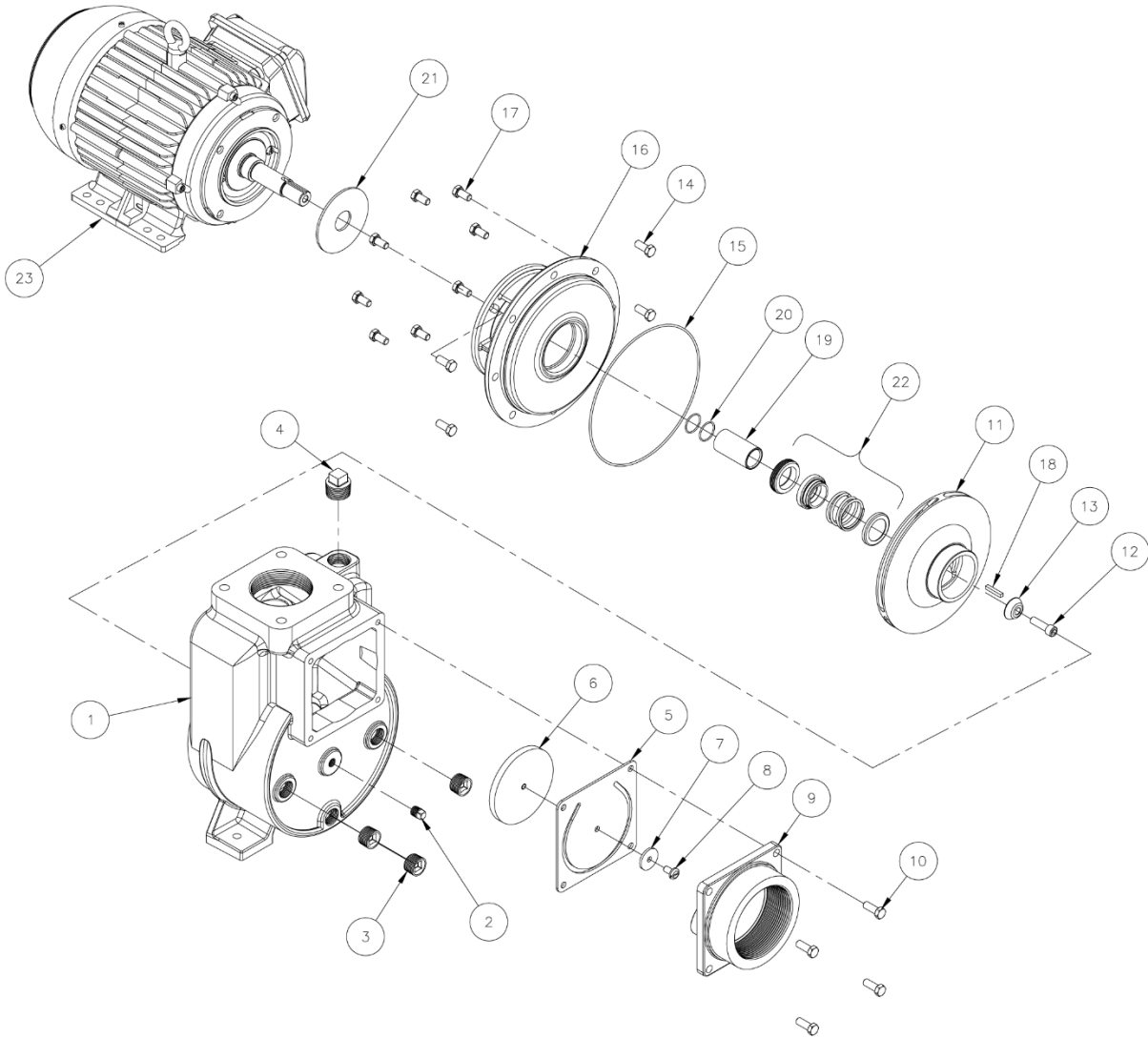


Pump Model	Motor Frame	Suction	Discharge	DIM "A"	DIM "B"	DIM "C"	DIM "D"	DIM "E"	DIM "F"	DIM "G"	DIM "ØH"	DIM "J"	DIM "K"	DIM "L"	DIM "M"	DIM "N"	DIM "P"	DIM "R"
4x3-8	182JM	4-8NPT	3-8NPT	6.07	15.13	10.73	5.63	6.19	8.33	4.50	.41	4.50	23.90	.75	7.88	.44	7.50	7.57
4x3-8	184JM	4-8NPT	3-8NPT	6.07	15.13	10.73	5.63	6.19	8.33	5.50	.41	4.50	24.90	.75	7.88	.44	7.50	7.57
4x3-8	213JM	4-8NPT	3-8NPT	6.07	15.13	10.73	5.63	6.19	9.08	5.50	.41	5.25	26.42	.75	7.88	.44	8.50	8.61
4x3-8	215JM	4-8NPT	3-8NPT	6.07	15.13	10.73	5.63	6.19	9.08	7.00	.41	5.25	27.88	.75	7.88	.44	8.50	8.61
4x3-8	254JM	4-8NPT	3-8NPT	6.07	15.13	10.73	5.63	6.19	11.00	8.25	.53	6.25	31.85	.75	7.88	.44	10.00	10.48
4x3-8	256JM	4-8NPT	3-8NPT	6.07	15.13	10.73	5.63	6.19	11.00	10.00	.53	6.25	33.60	.75	7.88	.44	10.00	10.48

¹Dimension may vary with motor model and manufacturer

LG2118 REV. A

EXPLODED VIEW



LG2120 REV. A

H SERIES – Model HH – Close-Coupled



PARTS LISTING

Compatible Motor Frame Family			182JM, 184JM (JM1)	213JM, 215JM (JM2)	254JM, 256JM, (JM2)	Material of Construction
Item	Description	Qty.	P/N	P/N	P/N	
Case Kit						
1	Case Kit ^{1, 3}	1	GFH1N12K			Gray Iron, ASTM A48
2	Case Plug 1/4-18 MNPT	1	31005911			Steel
3	Case Plugs 3/4-14 MNPT	3	31006207			Steel
4	Case Plug 1-11-1/2 MNPT	1	31006307			Iron
5	Gasket, 4" Flapper	1	13037502			Rubber
6	Weight, Flapper	1	16098907			Steel, ASTM A36
7	Washer	1	14074009			Steel
8	Screw, Pan Hd, 5/16-18 x .63 Lg	1	14140313			300 Series Stainless Steel
9	Suction, Flange	1	16098808			Gray Iron, ASTM A48
10	Suction Flange Bolt HHCS, 3/8-16 x 1 Lg	4	14129423SS			300 Series Stainless Steel
Impeller Kit						
11	Impeller, Only ⁴	1	5100200		5100400	Aluminum Bronze, ASTM B148
	Impeller, Kit ^{4,5}	1	5100200K		5100400K	Aluminum Bronze, ASTM B148
Back Pull Out Kit						
12	Impeller Bolt SHCS, 3/8-16 x 1.25 Lg	1	S14C375A25SH8A1			300 Series Stainless Steel
	Impeller Bolt SHCS, 1/2-13 x 1.50 Lg	1			S14C500A50SH8A1	300 Series Stainless Steel
13	Impeller Washer	1	14412209		14412308	300 Series Stainless Steel
14	Bracket/Motor Bolts HHCS, 3/8-16 x .88 Lg	4	14129324			Steel – Grade 5
	Bracket/Motor Bolts HHCS, 1/2-13 x 1.00 Lg	4		14178701		Steel
	Bracket/Motor Bolts HHCS, 1/2-13 x .75 Lg	4			14389803	Steel
15	Case/Bracket O-Ring -171 Buna	1	47017108			Buna-N
16	Bracket ^{2, 3}	1	2159200K	2156909K	2137503K	Ductile Iron, ASTM A395
17	Case/Bracket Bolts HHCS, 3/8-16 x .75 Lg	8	S01C375750WA2A2			Steel – Grade 5
18	Impeller Key	1	14412407		14412506	Steel
19	Sleeve, Kit ⁶	1	8222400K		8243400K	Bismuth Tin Bronze (Lead Free)
20	Sleeve O-Ring -022 Buna	2	47002209			Buna-N
	Sleeve O-Ring -126 Buna	2			47012604	Buna-N
21	Deflector	1	22020408		22020508	Neoprene
22	Mechanical Seal	1	See mechanical seal list for P/N			
23	Motor	1	Contact factory for P/N			

LG2121 REV. A

¹ Case Kit includes item 2, 3, and 4.

² Bracket Kit includes item 14 and 21.

³ Part is available with epoxy coating of interior or interior+exterior. Specified part number is for uncoated part, contact factory for coated part numbers.

⁴ Part is available with epoxy coating. Append 'PC' to the indicated part number when referring to the coated part, e.g. 5100200PC, 5100200PC

⁵ Impeller Kit includes item 12, 13, and 18.

⁶ Sleeve Kit includes item 20.

