



Model HH – Frame Mounted Configuration

PERFORMANCE

HH/4X3X8

Max. Flow Rate: 285 gpm

Max. Head: 280 ft.

Max. Working Temperature: 100° F

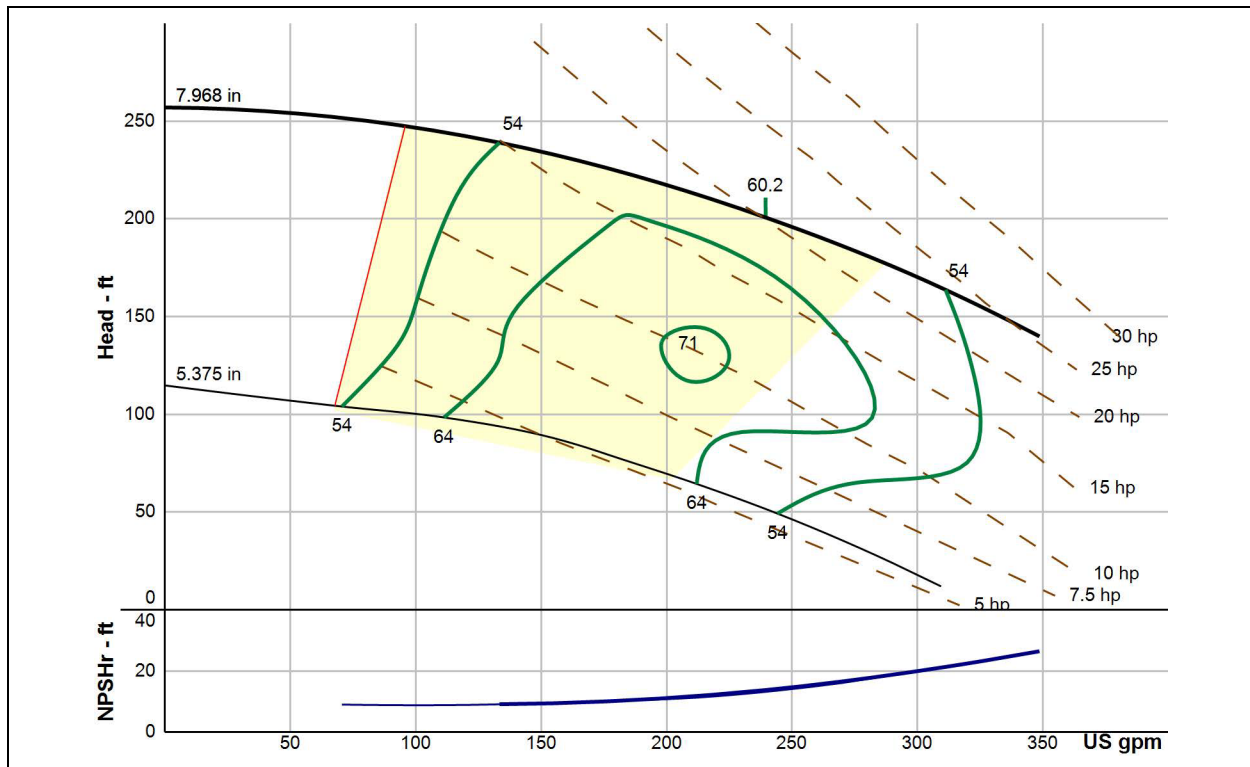
Max. Working Pressure: 110 psi

Max. Rated Speed: 3600 RPM

Max. Particle Size: 0.28" Diameter

Hydrotest Pressure: 165 psi

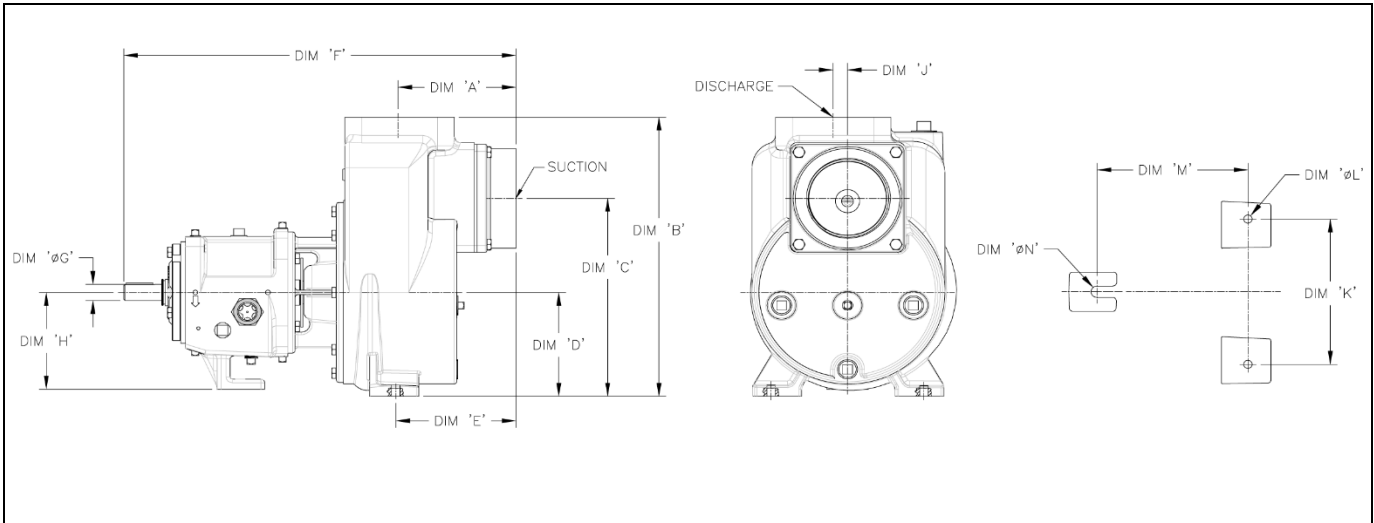
PERFORMANCE CURVE – HH/4X3X8, 3600 RPM



H SERIES – Model HH – Frame Mounted



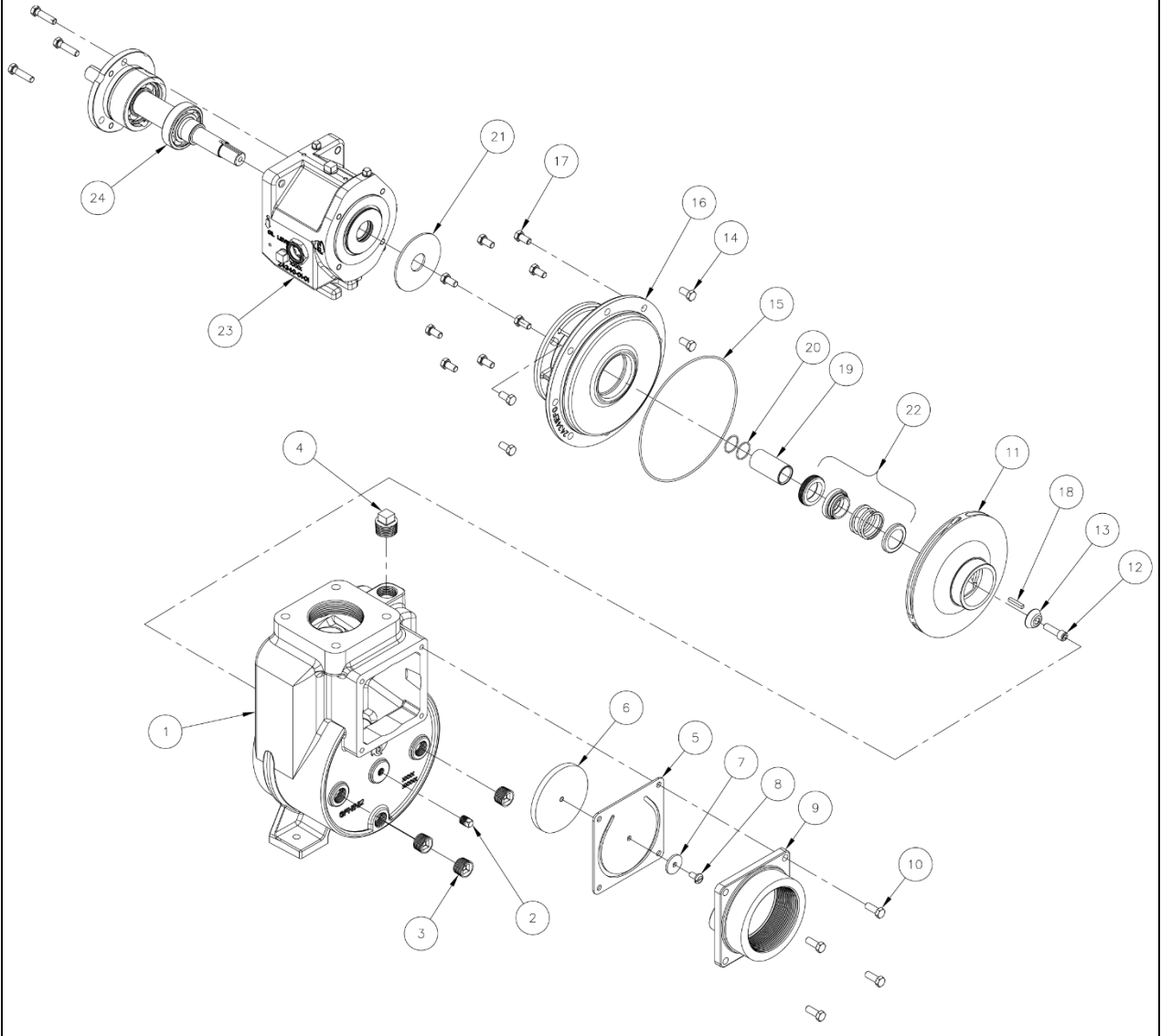
DIMENSIONS (INCHES)



Pump Model	Motor Frame	Suction	Discharge	DIM "A"	DIM "B"	DIM "C"	DIM "D"	DIM "E"	DIM "F"	DIM "G"	DIM "H"	DIM "J"	DIM "K"	DIM "L"	DIM "M"	DIM "N"
4x3-8	PFS	4-8NPT	3-8NPT	6.07	15.13	10.73	5.63	6.19	20.21	.88	5.25	.75	7.88	.44	7.77	.62

LG2119 REV. A

EXPLODED VIEW



LG2122 REV. A

H SERIES – Model HH – Frame Mounted



PARTS LISTING

Compatible Motor Frame Family			HH 4x3-8	
			PFS (Power Frame Small)	Material of Construction
Item	Description	Qty.	P/N	
Case Kit				
1	Case Kit ^{1,3}	1	GFH1N12K	Gray Iron, ASTM A48
2	Case Plug 1/4-18 MNPT	1	31005911	Steel
3	Case Plugs 3/4-14 MNPT	3	31006207	Steel
4	Case Plug 1-11-1/2 MNPT	1	31006307	Iron
5	Gasket, 4" Flapper	1	13037502	Rubber
6	Weight, Flapper	1	16098907	Steel, ASTM A36
7	Washer	1	14074009	Steel
8	Screw, Pan Hd, 5/16-18 x .63 Lg	1	14140313	300 Series Stainless Steel
9	Suction, Flange	1	16098808	Gray Iron, ASTM A48
10	Suction Flange Bolt HHCS, 3/8-16 x 1.00 Lg	4	14129423SS	300 Series Stainless Steel
Impeller Kit				
11	Impeller, Only ⁴	1	5100200	Aluminum Bronze, ASTM B148
	Impeller, Kit ^{4,5}	1	5100200K	Aluminum Bronze, ASTM B148
Back Pull Out Kit				
12	Impeller Bolt SHCS, 3/8-16 x 1.25 Lg	1	S14C375A25SH8A1	300 Series Stainless Steel
13	Impeller Washer	1	14412209	300 Series Stainless Steel
14	Bracket/Power Frame Bolts HHCS, 3/8-16 x .75 Lg	4	S01C375750WA2A2	Steel – Grade 5
15	Case/Bracket O-Ring -171 Buna	1	47017108	Buna-N
16	Bracket ^{2,3}	1	24341EFGK	Ductile Iron, ASTM A395
17	Case/Bracket Bolts HHCS, 3/8-16 x .75 Lg	8	S01C375750WA2A2	Steel – Grade 5
18	Impeller Key	1	14412407	Steel
19	Sleeve, Kit ⁶	1	8222400K	Bismuth Tin Bronze (Lead Free)
20	Sleeve O-Ring -022 Buna	2	47002209	Buna-N
21	Deflector	1	22020408	Neoprene
22	Mechanical Seal	1	See mechanical seal list for P/N	
23	Assembly, Power Frame	1	PFS-850-K	
24	Assembly, Rotating	1	24000-04-41A-RO	

LG2123 REV. A

¹ Case Kit includes item 2, 3, and 4.

² Bracket Kit includes item 14 and 21.

³ Part is available with epoxy coating of interior or interior+exterior. Specified part number is for uncoated part, contact factory for coated part numbers.

⁴ Part is available with epoxy coating. Append 'PC' to the indicated part number when referring to the coated part, e.g. 5100200PC, 5100200PCK

⁵ Impeller Kit includes item 12, 13, and 18.

⁶ Sleeve Kit includes item 20.

