



Model HL – Close-Coupled Configuration

PERFORMANCE

HL/3X2X8

Max. Flow Rate: 160 gpm

Max. Head: 275 ft.

Max. Working Temperature: 100° F

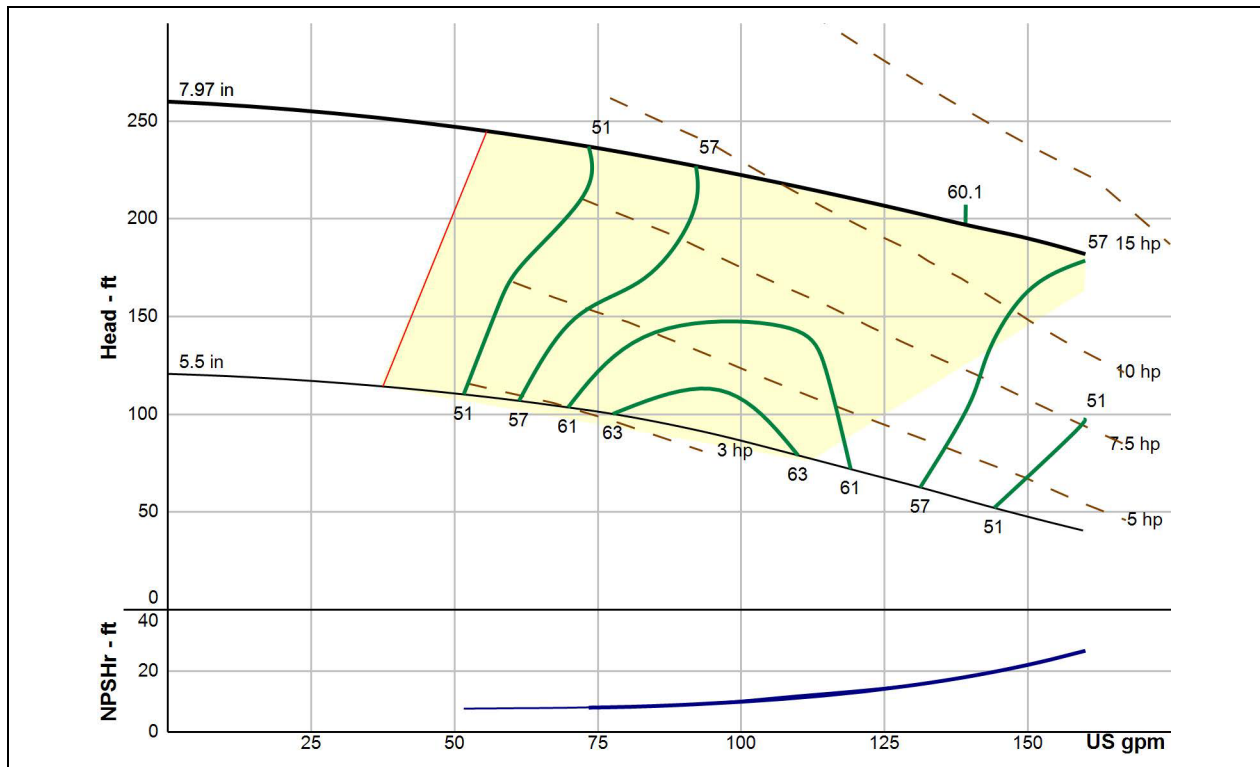
Max. Working Pressure: 110 psi

Max. Rated Speed: 3600 RPM

Max. Particle Size: 0.25" Diameter

Hydrotest Pressure: 165 psi

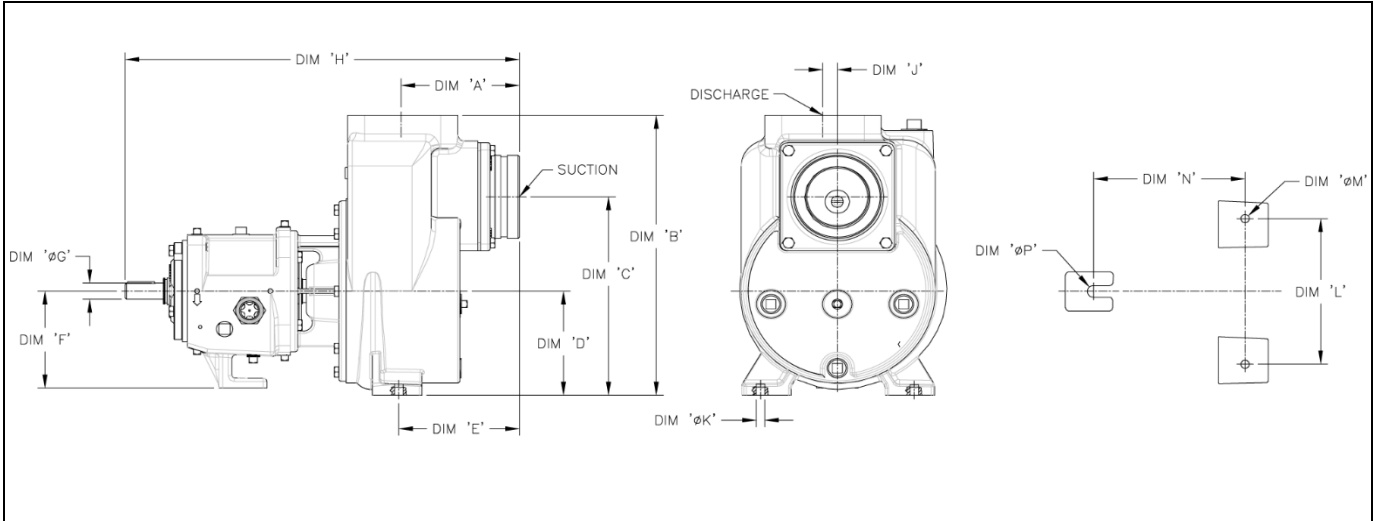
PERFORMANCE CURVE – HL/3X2X8, 3600 RPM



H SERIES – Model HL – Frame Mounted



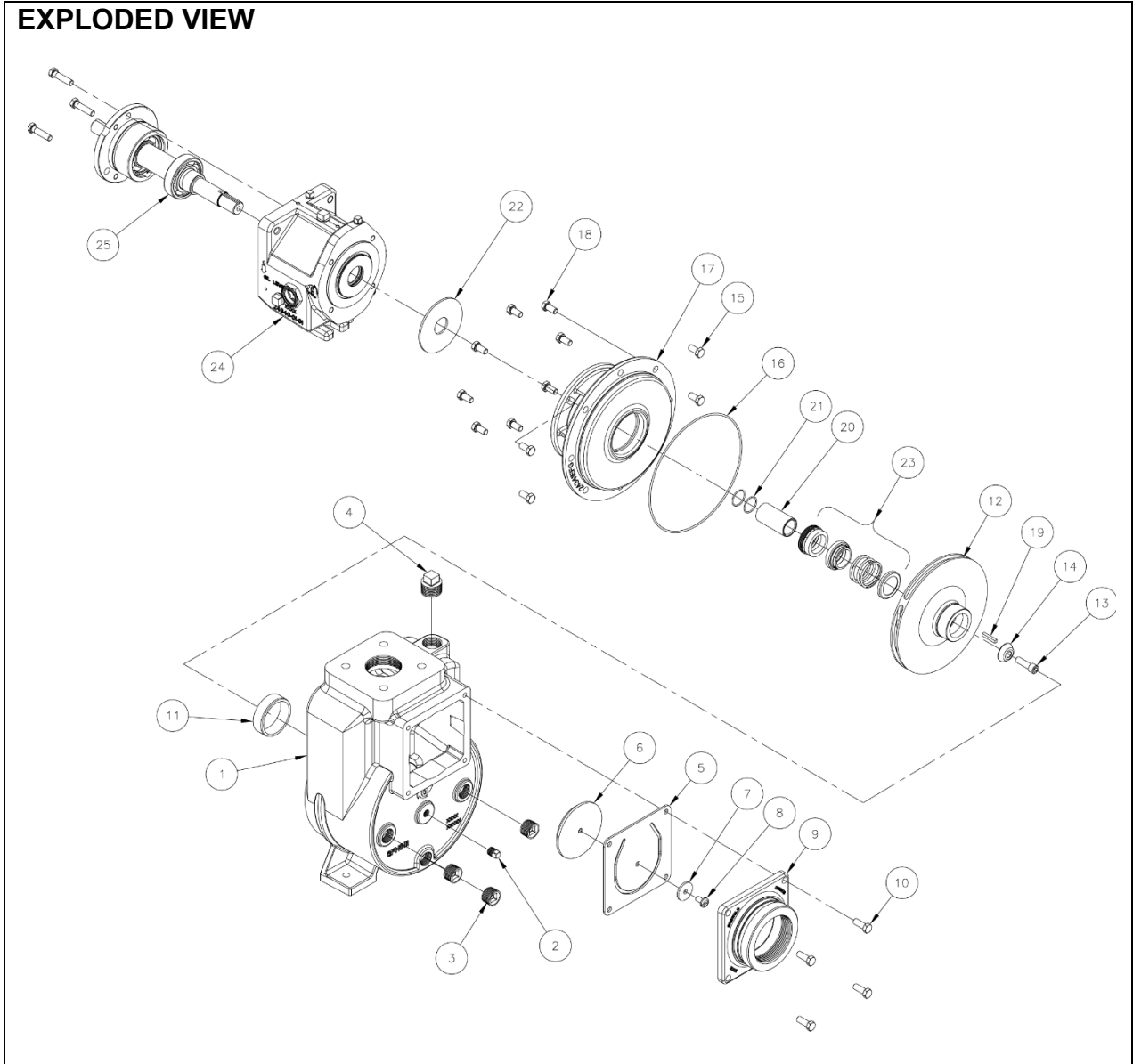
DIMENSIONS (INCHES)



Pump Model	Motor Frame	Suction	Discharge	DIM "A"	DIM "B"	DIM "C"	DIM "D"	DIM "E"	DIM "F"	DIM "ØG"	DIM "H"	DIM "J"	DIM "ØK"	DIM "L"	DIM "ØM"	DIM "N"	DIM "ØP"
3x2-8	PFS	3-8NPT / 4" VICTAULIC	2-11-1/2 NPT	6.07	15.13	10.73	5.63	6.19	5.25	.88	20.21	.75	.44	7.88	.44	7.77	.62

LG2125 REV. A

EXPLODED VIEW



LG2128 REV. A

H SERIES – Model HL – Frame Mounted



PARTS LISTING

Compatible Motor Frame Family			HL 3x2-8	
			PFS (Power Frame Small)	Material of Construction
Item	Description	Qty.	P/N	
Case Kit				
1	Case Kit ^{1,3}	1	GFH1N1K	Gray Iron, ASTM A48
2	Case Plug 1/4-18 MNPT	1	31005911	Steel
3	Case Plugs 3/4-14 MNPT	3	31006207	Steel
4	Case Plug 1-11-1/2 MNPT	1	31006307	Iron
5	Gasket, 4" Flapper	1	13009105	Rubber
6	Weight, Flapper	1	16001406	Steel, ASTM A36
7	Washer	1	14074009	Steel
8	Screw, Pan Hd, 5/16-18 x .63 Lg	1	14140313	300 Series Stainless Steel
9	Suction, Flange	1	H9N14V3	Gray Iron, ASTM A48
10	Suction Flange Bolt HHCS, 3/8-16 x 1.00 Lg	4	14129423SS	300 Series Stainless Steel
11	Case Wear Ring	1	8005100	Bismuth Tin Bronze (Lead Free)
Impeller Kit				
12	Impeller, Only ⁴	1	H2BZ	Copper, ASTM B854
	Impeller, Kit ⁵	1	H2BZK	Copper, ASTM B854
Back Pull Out Kit				
13	Impeller Bolt SHCS, 3/8-16 x 1.25 Lg	1	S14C375A25SH8A1	300 Series Stainless Steel
14	Impeller Washer	1	14412209	300 Series Stainless Steel
15	Bracket/Power Frame Bolts HHCS, 3/8-16 x .75 Lg	4	S01C375750WA2A2	Steel – Grade 5
16	Case/Bracket O-Ring -171 Buna	1	47017108	Buna-N
17	Bracket ^{2,3}	1	24341EFGK	Ductile Iron, ASTM A395
18	Case/Bracket Bolts HHCS, 3/8-16 x .75 Lg	8	S01C375750WA2A2	Steel – Grade 5
19	Impeller Key	1	14412407	Steel
20	Sleeve, Kit ⁶	1	8222400K	Bismuth Tin Bronze (Lead Free)
21	Sleeve O-Ring -022 Buna	2	47002209	Buna-N
22	Deflector	1	22020408	Neoprene
23	Mechanical Seal	1	See mechanical seal list for P/N	
24	Assembly, Power Frame	1	PFS-850-K	
25	Assembly, Rotating	1	24000-04-41A-RO	

LG2129 REV. A

¹ Case Kit includes item 2, 3, and 4.

² Bracket Kit includes item 15 and 22.

³ Part is available with epoxy coating of interior or interior+exterior. Specified part number is for uncoated part, contact factory for coated part numbers.

⁴ Part is available with epoxy coating. Append 'PC' to the indicated part number when referring to the coated part, e.g., H2BZPC, H2BZPCK

⁵ Impeller Kit includes item 13, 14, and 19.

⁶ Sleeve Kit includes item 21.

