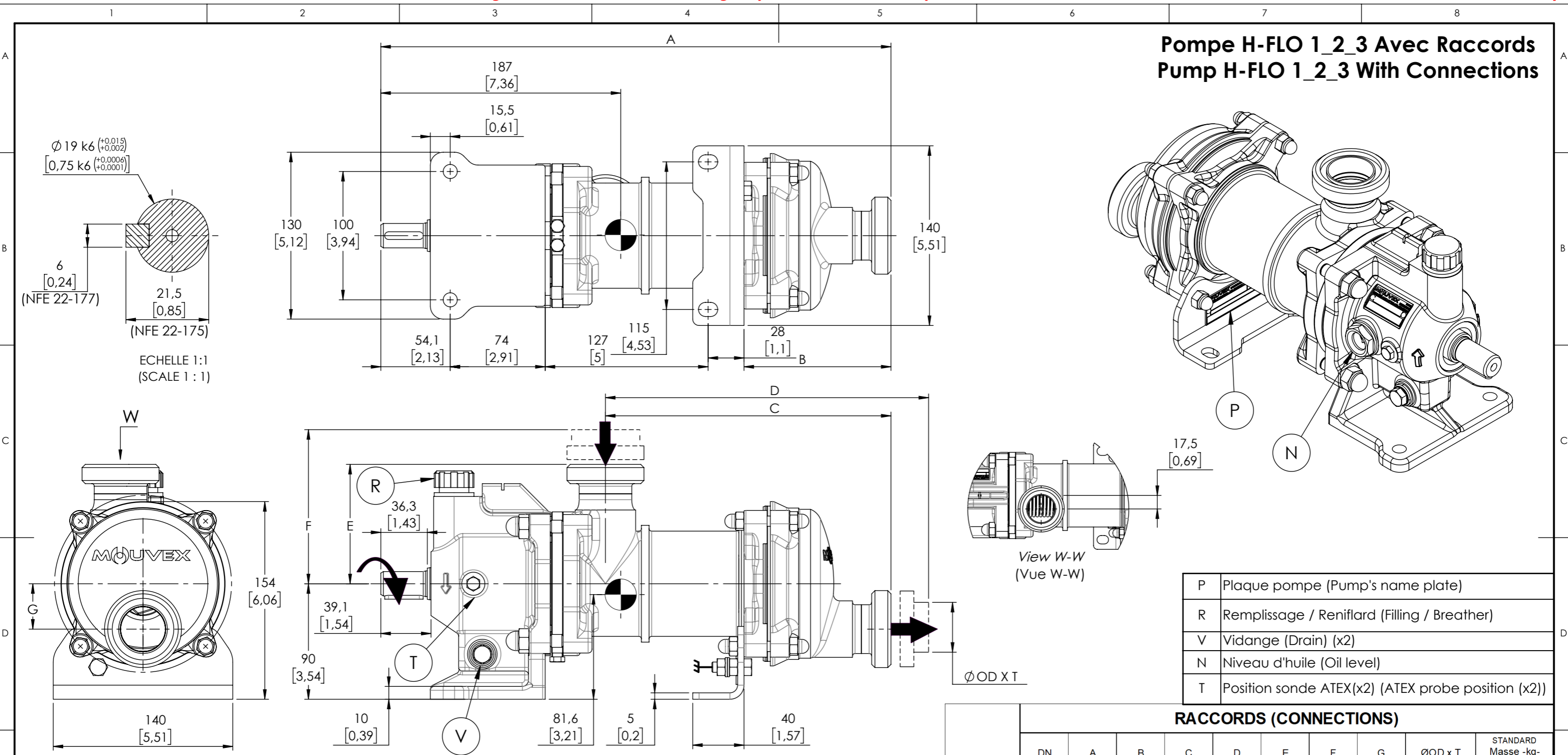


# Pompe H-FLO 1\_2\_3 Avec Raccords Pump H-FLO 1\_2\_3 With Connections

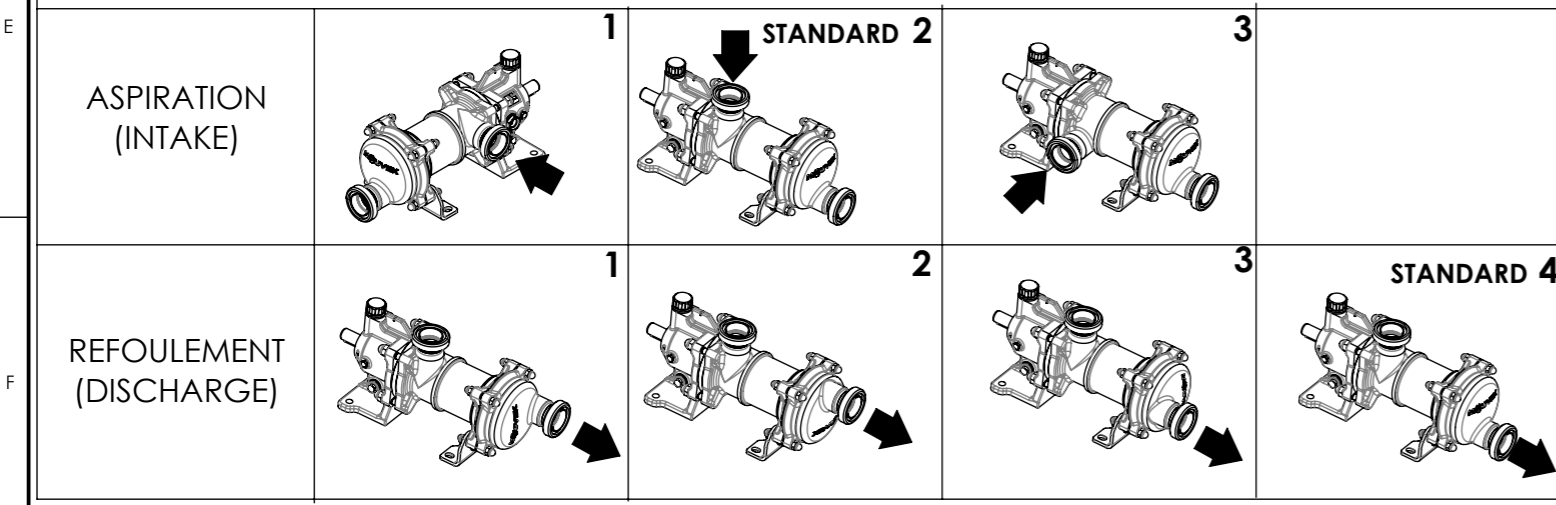


P	Plaque pompe (Pump's name plate)
R	Remplissage / Reniflard (Filling / Breather)
V	Vidange (Drain) (x2)
N	Niveau d'huile (Oil level)
T	Position sonde ATEX(x2) (ATEX probe position (x2))

### RACCORDS (CONNECTIONS)

	DN	A	B	C	D	E	F	G	ØOD x T	STANDARD Masse -kg- (Weight -lb-)
SMS 1145	38 [1,496]	398 [15,669]	114,5 [4,508]	222,5 [8,76]	245,5 [9,665]	93 [3,661]	116 [4,567]	35,4 [1,392]	38 x 1,6 [1,496 x 0,063]	13 [29]
Clamp (ISO 2852)	38 [1,496]	396 [15,591]	113 [4,449]	221 [8,701]	250 [9,827]	91,5 [3,602]	120,1 [4,728]	35,4 [1,392]	38,6 x 1,45 [1,52 x 0,057]	13 [29]
Clamp ASME-BPE (2009)	38 [1,496]	404 [15,906]	120,5 [4,744]	229 [9,016]	258 [10,146]	98,5 [3,878]	127 [5,008]	35,4 [1,392]	38,0 x 1,6 [1,496 x 0,063]	13 [29]
DIN 11851	40 [1,575]	408 [16,063]	124,5 [4,902]	233 [9,154]	268 [10,531]	103 [4,055]	138 [5,433]	35,4 [1,392]	41 x 1,5 [1,614 x 0,059]	13 [29]

### POSITIONS POSSIBLES (POSSIBLE POSITIONS)



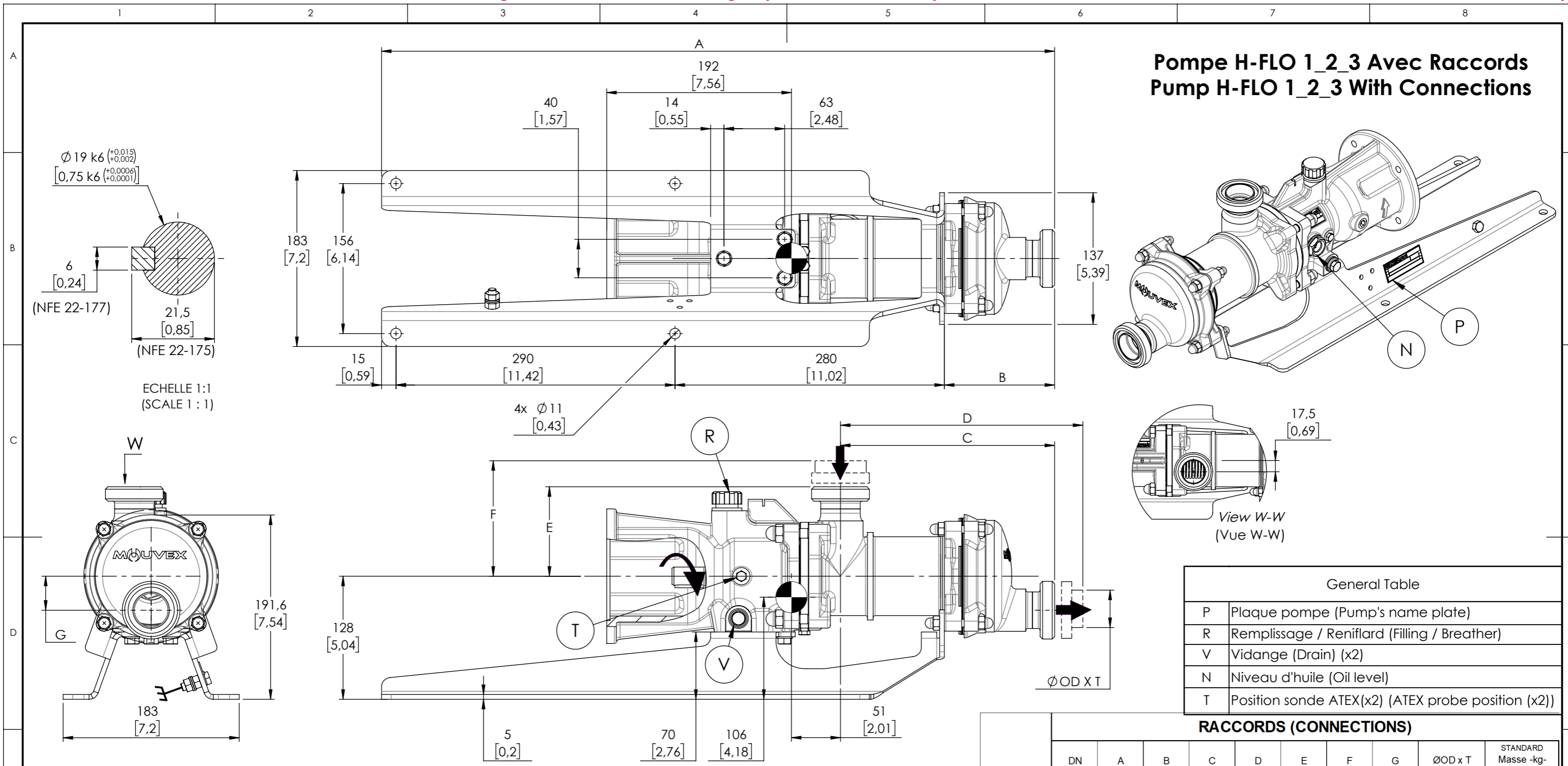
UNLESS OTHERWISE SPECIFIED, ALL DIMENSIONS ARE IN mm

	NAME	DATE	PROJECTION FIRST ANGLE 
DRAWN	NSJ	2024-06-20	
APPV'D	AW	2024-09-19	

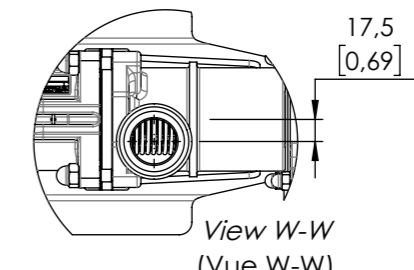
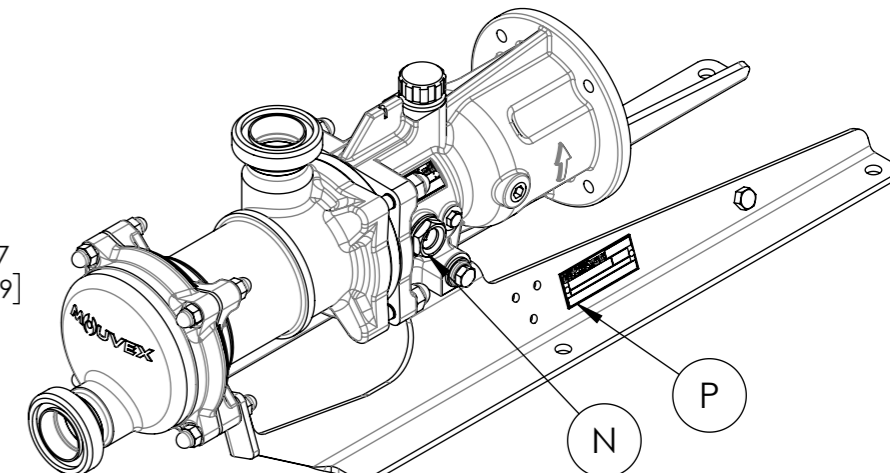
WEIGHT: -  
SCALE: 1:3    DO NOT SCALE DRAWING    SIZE: A3    SHEET 1 OF 2

**PSG** a DOVER company  
 MouVEX Z.I. Plaine des Isles  
 Rue des Caillottes  
 89000 AUXERRE - FRANCE  
 ☎ (33) 3.86.49.86.30    📠 (33) 3.86.46.42.10

DRAWING N° **M003000A1**    REV: **A**



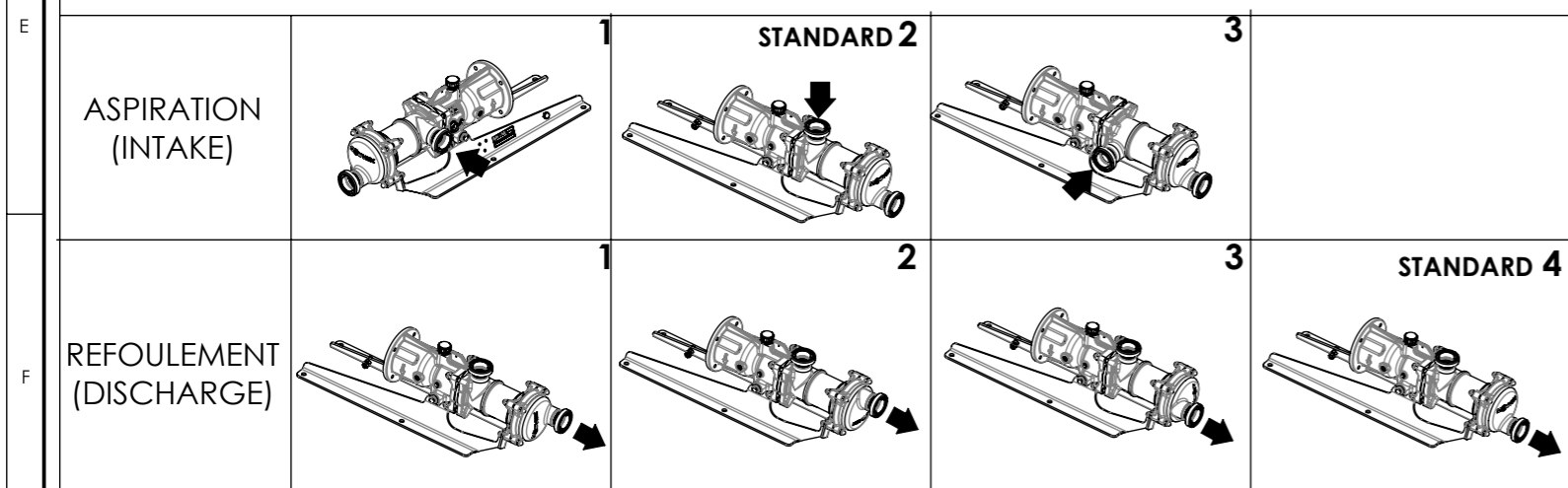
**Pompe H-FLO 1\_2\_3 Avec Raccords**  
**Pump H-FLO 1\_2\_3 With Connections**



General Table	
P	Plaque pompe (Pump's name plate)
R	Remplissage / Reniflard (Filling / Breather)
V	Vidange (Drain) (x2)
N	Niveau d'huile (Oil level)
T	Position sonde ATEX(x2) (ATEX probe position (x2))

RACCORDS (CONNECTIONS)											
	DN	A	B	C	D	E	F	G	ØOD x T	STANDARD Masse -kg- (Weight -lb-)	
SMS 1145	38	699,5	114,5	222,5	245,5	93	116	35,4	38 x 1,6	17	
		[1,496]	[27,539]	[4,508]	[8,76]	[9,665]	[3,661]	[4,567]	[1,392]	[1,496 x 0,063]	[38]
Clamp (ISO 2852)	38	698	113	221	250	91,5	120,1	35,4	38,6 x 1,45	17	
		[1,496]	[27,48]	[4,449]	[8,701]	[9,827]	[3,602]	[4,728]	[1,392]	[1,52 x 0,057]	[38]
Clamp ASME-BPE (2009)	38	705,5	120,5	229	258	98,5	127	35,4	38,0 x 1,6	17	
		[1,496]	[27,776]	[4,744]	[9,016]	[10,146]	[3,878]	[5,008]	[1,392]	[1,496 x 0,063]	[38]
DIN 11851	40	709,5	124,5	233	268	103	138	35,4	41 x 1,5	17	
		[1,575]	[27,933]	[4,902]	[9,154]	[10,531]	[4,055]	[5,433]	[1,392]	[1,614 x 0,059]	[38]

**POSITIONS POSSIBLES (POSSIBLE POSITIONS)**



UNLESS OTHERWISE SPECIFIED, ALL DIMENSIONS ARE IN mm

	NAME	DATE	PROJECTION FIRST ANGLE
DRAWN	NSJ	2024-06-20	
APPV'D	AW	2024-09-19	

**PSG** a DOVER company

**MUUVEX** Z.I. Plaine des Isles  
 Rue des Caillottes  
 89000 AUXERRE - FRANCE  
 ☎ (33) 3.86.49.86.30 - 📠 (33) 3.86.46.42.10

DRAWING N° **M003000A1** REV: **A**

WEIGHT: -  
 SCALE: 1:4 DO NOT SCALE DRAWING SIZE: A3 SHEET 2 OF 2