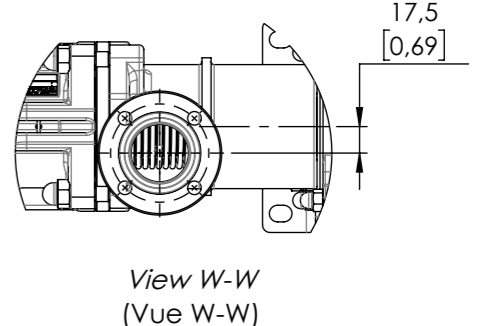
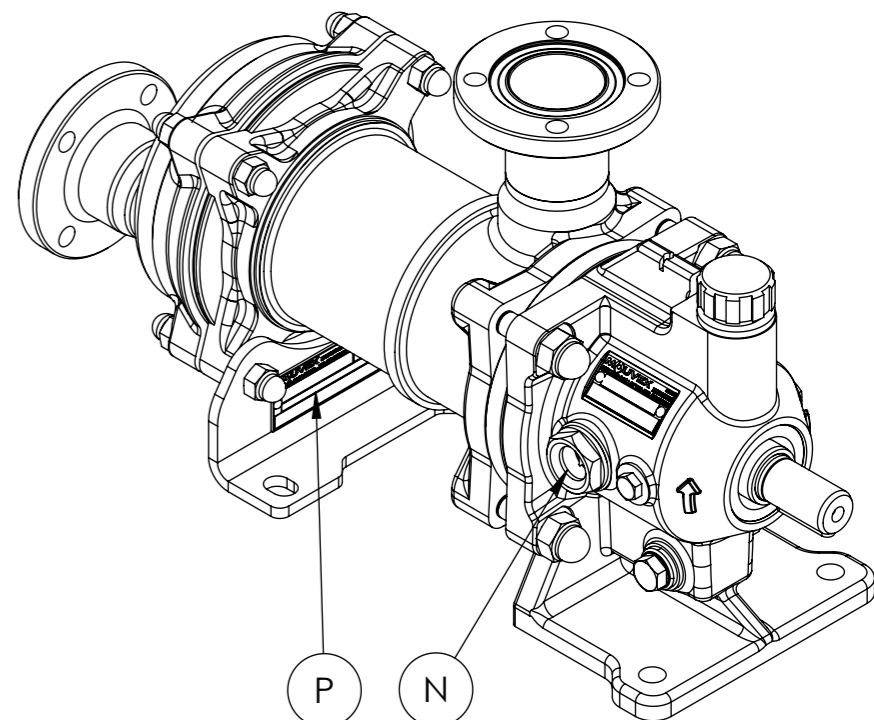


**Pompe H-FLO 1\_2\_3 Avec Brides**  
**Pump H-FLO 1\_2\_3 With Flanges**



P	Plaque pompe (Pump's name plate)
R	Remplissage / Reniflard (Filling / Breather)
V	Vidange (Drain) (x2)
N	Niveau d'huile (Oil level)
T	Position sonde ATEX (x2) (ATEX probe position (x2))

**POSITIONS POSSIBLES (POSSIBLE POSITIONS)**

	1	2	3	4
<b>ASPIRATION (INTAKE)</b>		<b>STANDARD 2</b> 		
<b>REFOULEMENT (DISCHARGE)</b>				<b>STANDARD 4</b> 

	BRIDES (FLANGES)											Masse -kg- (Weight -lb-)
	DN	A	B	C	D	E	F	ØG	OD x T	ØK	ØL	
DIN 11864-2 BF-A	40	420	136,5	244,5	289,5	115	160	82	41 x 1,5	65	9	13,00
	[1,575]	[16,535]	[5,374]	[9,626]	[11,398]	[4,528]	[6,299]	[3,228]	[1,614 x 0,059]	[2,559]	[0,354]	[29]

UNLESS OTHERWISE SPECIFIED, ALL DIMENSIONS ARE IN mm

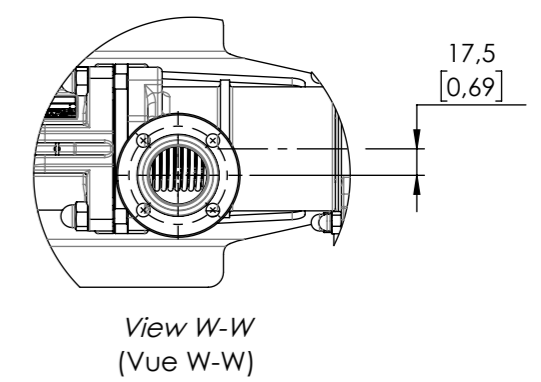
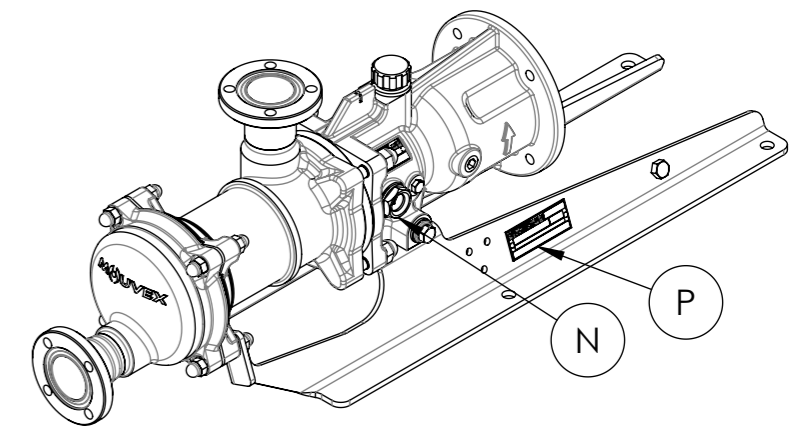
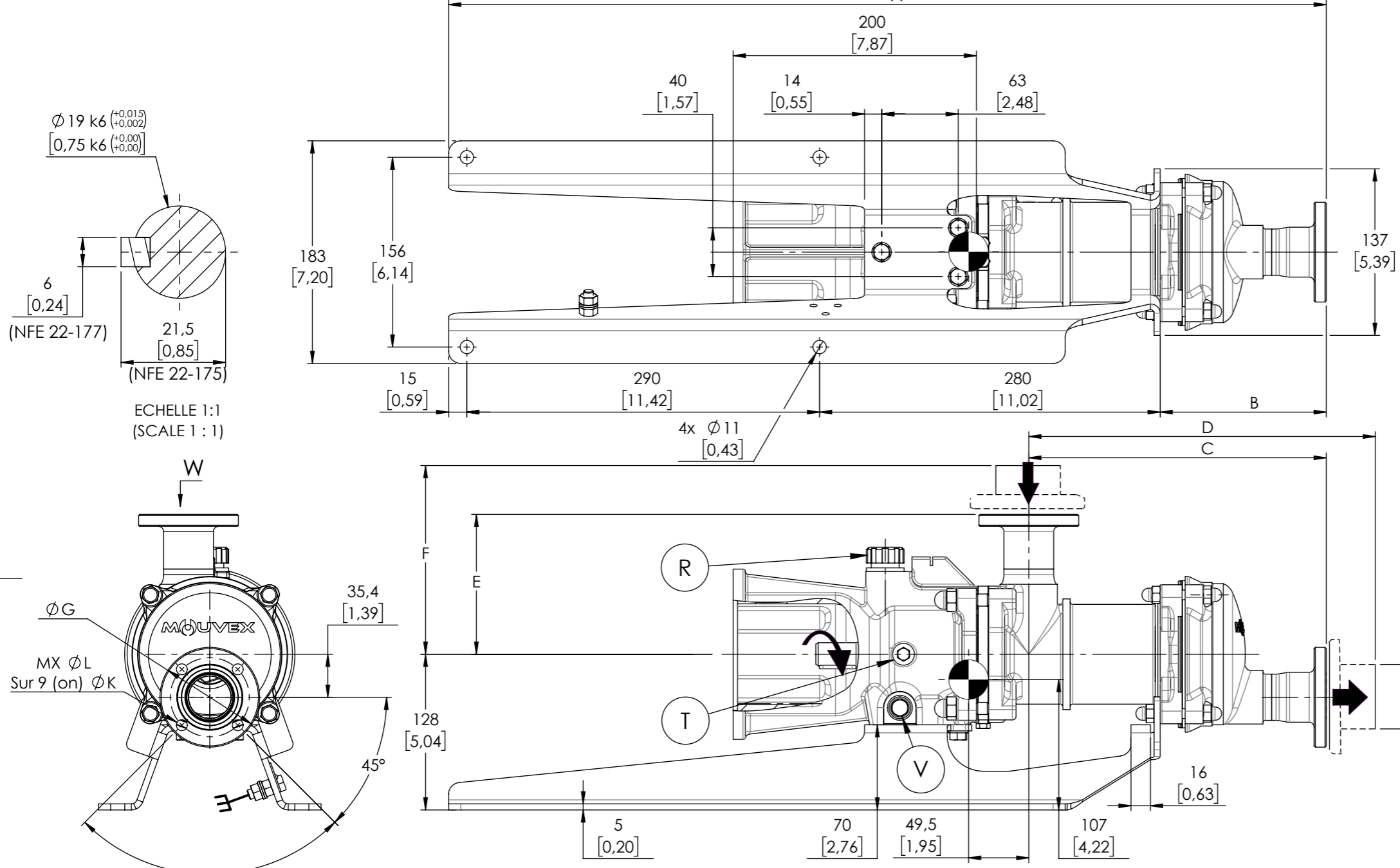
NAME	DATE	PROJECTION FIRST ANGLE
DRAWN NSJ	2024-06-19	
APPV'D AW	2024-09-18	

WEIGHT: -  
SCALE: 1:3 DO NOT SCALE DRAWING

**PSG** a DOVER company  
Z.I. Plaine des Isles  
Rue des Caillottes  
89000 AUXERRE - FRANCE  
☎: (33) 3.86.49.86.30 📠: (33) 3.86.46.42.10

DRAWING N° **M003000A2** REV: **A**  
SHEET 1 OF 2

# Pompe H-FLO 1\_2\_3 Avec Brides Pump H-FLO 1\_2\_3 With Flanges



P	Plaque pompe (Pump's name plate)
R	Remplissage / Reniflard (Filling / Breather)
V	Vidange (Drain)(x2)
N	Niveau d'huile (Oil level)
T	Position sonde ATEX(x2) (ATEX probe position (x2))

## POSITIONS POSSIBLES (POSSIBLE POSITIONS)

	1	STANDARD 2	3	
ASPIRATION (INTAKE)				
REFOULEMENT (DISCHARGE)				STANDARD 4

		BRIDES (FLANGES)												
		DN	A	B	C	D	E	F	ØG	OD x T	ØK	ØL	M (nb holes /trous)	Masse -kg- (Weight -lb-)
DIN 11864-2	40	721	136,5	244,5	289,5	115	160	82	41 x 1,5	65	9	4	17,00	
BF-A	[1,575]	[28,386]	[5,374]	[9,626]	[11,398]	[4,528]	[6,299]	[3,228]	[1,614 x 0,059]	[2,559]	[0,354]		[38]	

UNLESS OTHERWISE SPECIFIED, ALL DIMENSIONS ARE IN mm

NAME	DATE	PROJECTION FIRST ANGLE
NSJ	2024-06-19	
APPV'D	2024-09-18	

WEIGHT: -  
SCALE: 1:4 DO NOT SCALE DRAWING

**PSG** a DOVER company  
Z.I. Plaine des Isles  
Rue des Caillottes  
89000 AUXERRE - FRANCE  
☎: (33) 3.86.49.86.30 📠: (33) 3.86.46.42.10

DRAWING N° **M003000A2** REV: **A**

THIS DOCUMENT CONTAINS PROPRIETARY INFORMATION OF PSG - A DOVER COMPANY. ITS RECEIPT AND POSSESSION DO NOT CONVEY ANY RIGHTS TO REPRODUCE OR DISCLOSE ITS CONTENTS OR TO MANUFACTURE OR SELL ANYTHING IT MAY DESCRIBE. THIS DOCUMENT IS SUBJECT TO RETURN UPON REQUEST. REPRODUCTION, DISCLOSURE OR USE OF THIS DOCUMENT WITHOUT THE WRITTEN AUTHORIZATION OF DOVER CORPORATION IS STRICTLY FORBIDDEN.

SIZE : A3 SHEET 2 OF 2