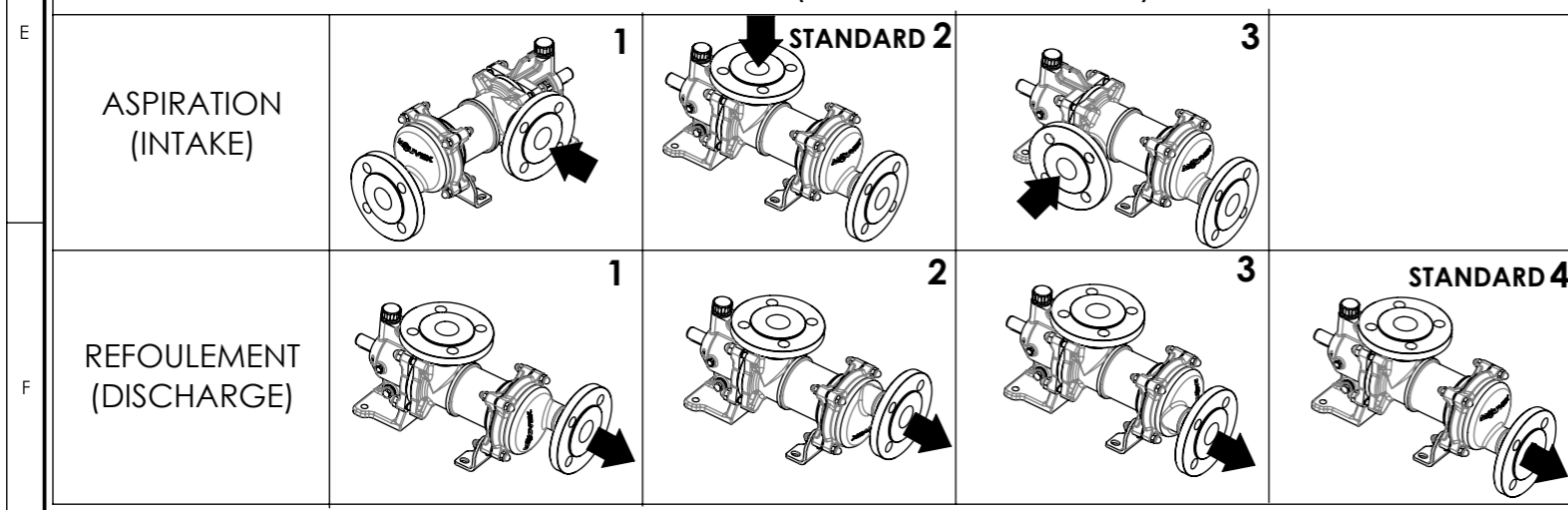


POSITIONS POSSIBLES (POSSIBLE POSITIONS)



BRIDES (FLANGES)

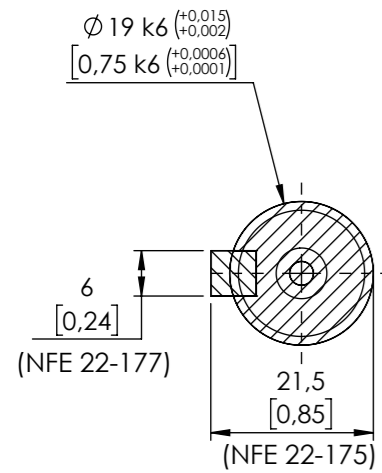
	DN	A	B	ØB1	C	D	E	F	ØG	ØK	ØL	M (nb holes / trous)	H (Deg)	Masse -kg- (Weight -lb-)
PN16 ISO 7005 (EN 1092-1)	40	420	136,5	61,5	244,5	264,5	115	135	150	110	18	4	45°	15 [34]
PN20 ISO 7005 (ANSI/ASME B16.5)	40	436,5	153,5	62,5	261,5	281,5	132	152	125	98,5	16	4	45°	15 [34]

UNLESS OTHERWISE SPECIFIED, ALL DIMENSIONS ARE IN mm

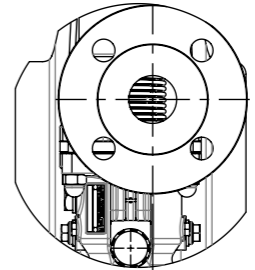
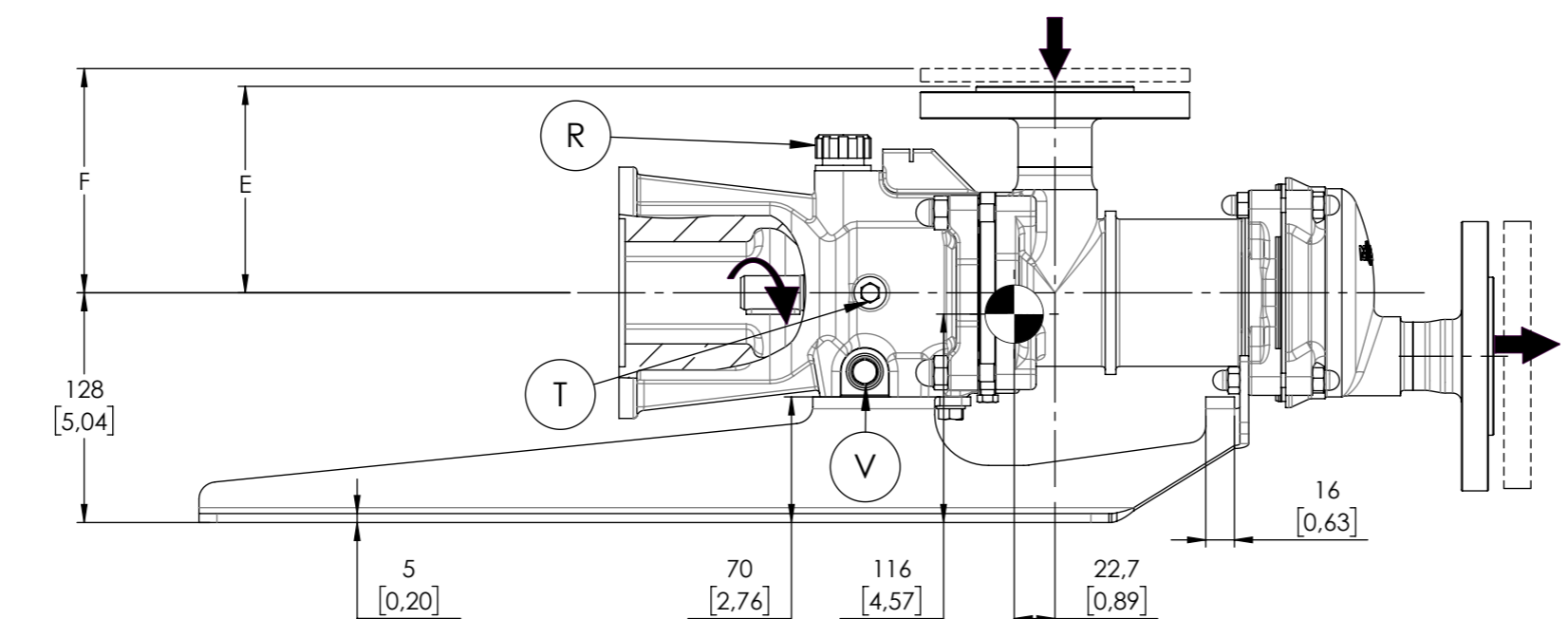
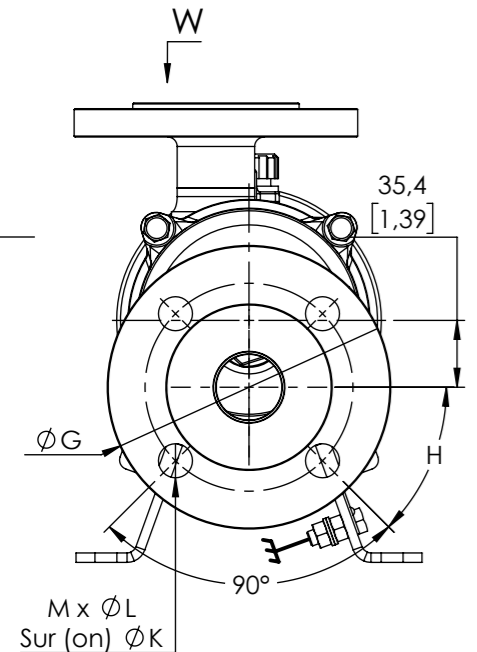
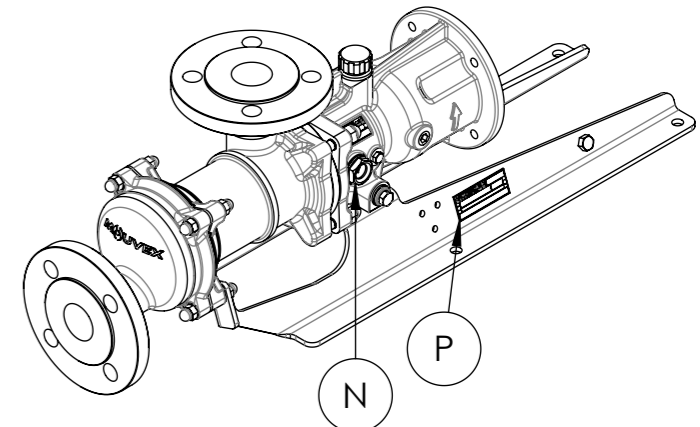
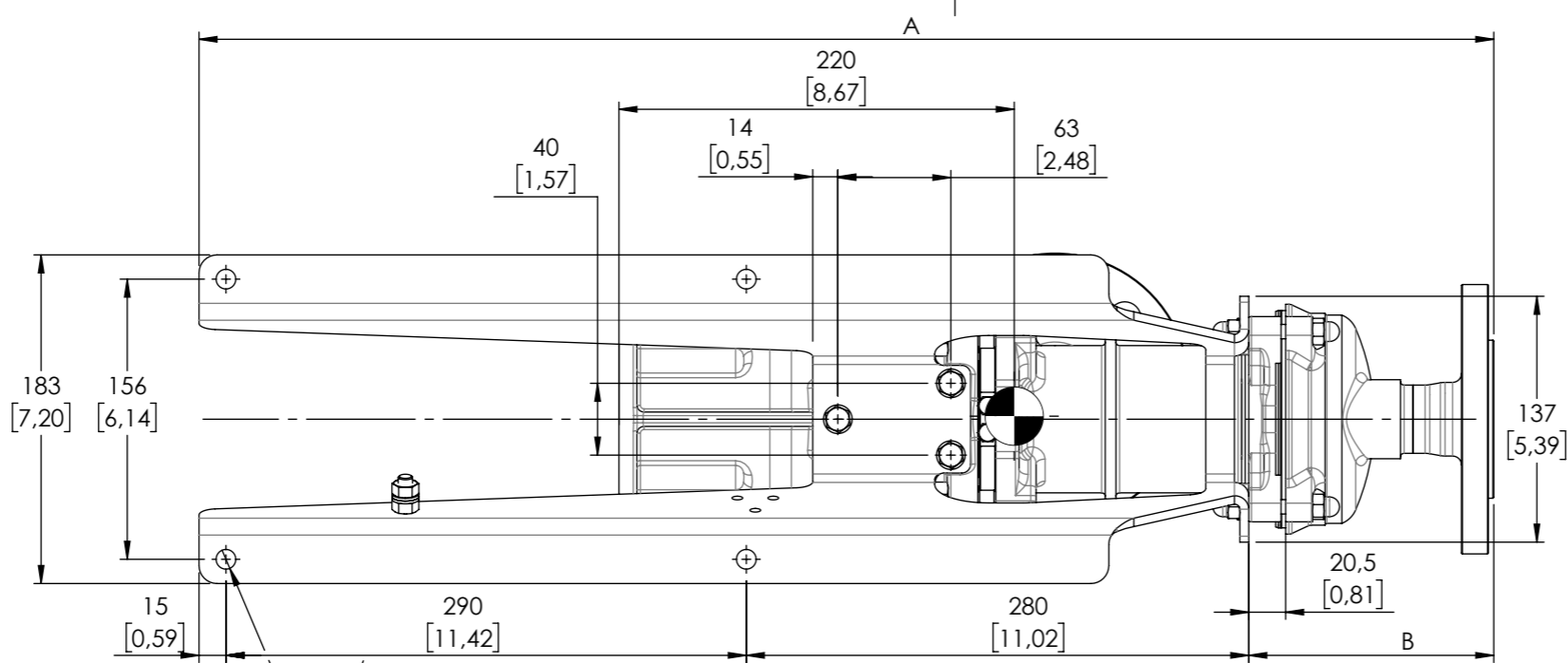
NAME	DATE	PROJECTION FIRST ANGLE	 PSG a DOVER company
DRAWN NSJ	2024-06-19		
APPV'D AW	2024-09-18		
WEIGHT: -			DRAWING N°
SCALE: 1:3			M003000A3
DO NOT SCALE DRAWING			REV: A
SIZE: A3			SHEET 1 OF 2

MOUVEX Z.I. Plaine des Isles  
 Rue des Caillottes  
 89000 AUXERRE - FRANCE  
 ☎ (33) 3.86.49.86.30 - 📠 (33) 3.86.46.42.10

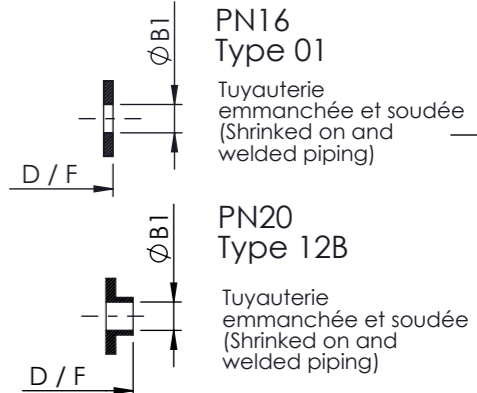
# Pompe G-FLO 1\_2\_3 Avec Brides Pump G-FLO 1\_2\_3 With Flanges



ECHELLE 1:1  
(SCALE 1:1)



View W-W  
(Vue W-W)



P	Plaque pompe (Pump's name plate)
R	Remplissage / Reniflard (Filling / Breather)
V	Vidange (Drain)(x2)
N	Niveau d'huile (Oil level)
T	Position sonde ATEX(x2) (ATEX probe position (x2))

## POSITIONS POSSIBLES (POSSIBLE POSITIONS)

	<b>STANDARD 2</b>			
ASPIRATION (INTAKE)	1	2	3	
REFOULEMENT (DISCHARGE)	1	2	3	<b>STANDARD 4</b>

	BRIDES (FLANGES)													
	DN	A	B	ØB1	C	D	E	F	ØG	ØK	ØL	M (nb holes / trous)	H (Deg)	Masse -kg- (Weight -lb-)
PN16 ISO 7005 (EN 1092-1)	40	721,5	136,5	61,5	244,5	264,5	115	135	150	110	18	4	45°	21
		[1,575]	[28,406]	[5,374]	[2,421]	[9,626]	[10,413]	[4,528]	[5,315]	[5,906]	[4,331]	[0,709]		[47]
PN20 ISO 7005 (ANSI/ASME B16.5)	40	738,5	153,5	62,5	261,5	281,5	132	152	125	98,5	16	4	45°	21
		[1,575]	[29,075]	[6,043]	[2,461]	[10,295]	[11,083]	[5,197]	[5,984]	[4,921]	[3,878]	[0,63]		[47]

UNLESS OTHERWISE SPECIFIED, ALL DIMENSIONS ARE IN mm

	NAME	DATE	PROJECTION FIRST ANGLE
DRAWN	NSJ	2024-06-19	
APPV'D	AW	2024-09-18	

WEIGHT: -	DRAWING N°	REV:
SCALE: 1:4	<b>M003000A3</b>	<b>A</b>
DO NOT SCALE DRAWING	SIZE: A3	SHEET 2 OF 2