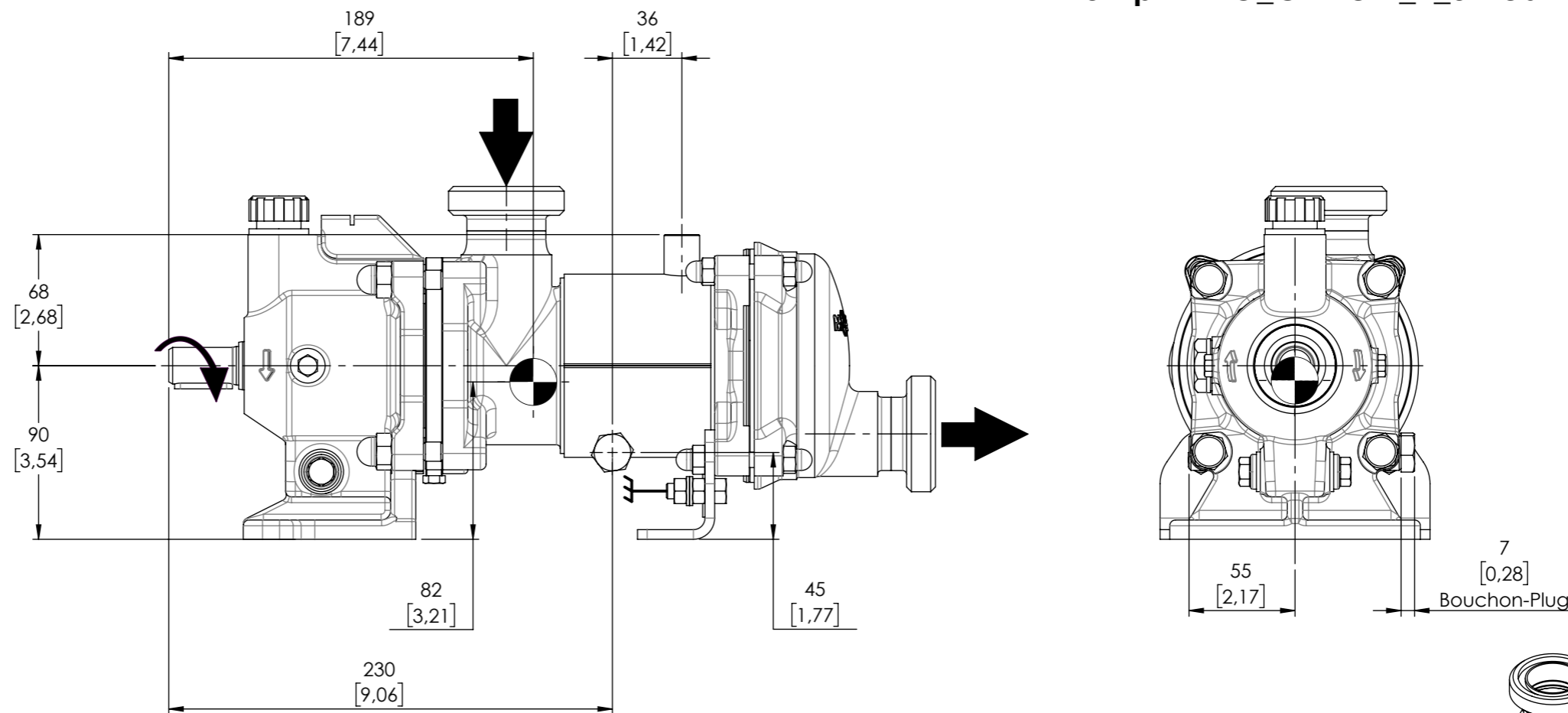


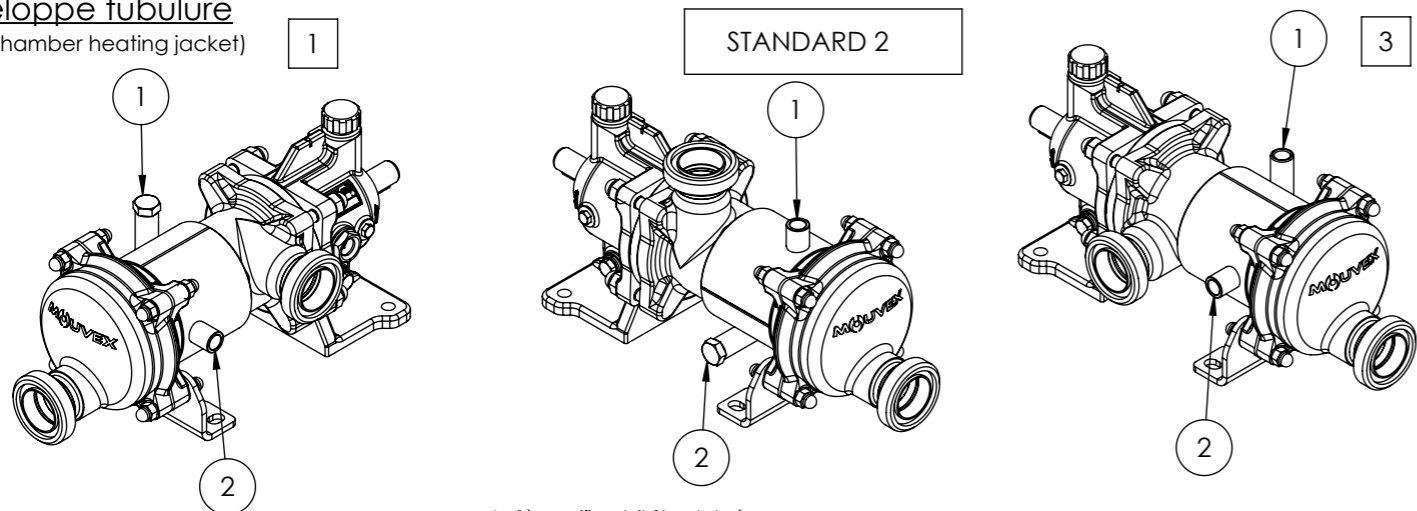
Pompe H-FLO_G-FLO 1_2_3 Enveloppe Réchauffage
Pump H-FLO_G-FLO 1_2_3 Heating Jacket



	VAPEUR (STEAM)	LIQUIDE (LIQUID)
①	Entrée (in)	Sortie (out)
②	Sortie (out)	Entrée (in)

RACCORDEMENT DE L'ENVELOPPE (JACKET CONNECTION) : Taraudage (tapping) 1/2" B.S.P.P

Enveloppe tubulaire
(Inlet chamber heating jacket)



Le 3ème orifice doit être obstrué
(the third orifice must be blocked)

NOTA:

-POUR LES AUTRES COTES VOIR LE PLAN D'ENCOMBREMENT SPECIFIQUE AU RACCORD (POIDS : AJOUTER 1kg POUR H-FLO/G-FLO 1-2-3).

(NOTE:

-OTHER DIMENSIONS: REFER TO THE DIMENSIONAL DRAWING CORRESPONDING WITH THE CONNECTION (WEIGHT: ADD 1kg FOR H-FLO/G-FLO 1-2-3).

UNLESS OTHERWISE SPECIFIED, ALL DIMENSIONS ARE IN mm

	NAME	DATE	PROJECTION FIRST ANGLE
DRAWN	NSJ	2024-06-19	
APPV'D	AW	2024-09-18	

THIS DOCUMENT CONTAINS PROPRIETARY INFORMATION OF PSG - A DOVER COMPANY. ITS RECEIPT AND POSSESSION DO NOT CONVEY ANY RIGHTS TO REPRODUCE OR DISCLOSE ITS CONTENTS OR TO MANUFACTURE USE OR SELL ANYTHING IT MAY DESCRIBE. THIS DOCUMENT IS SUBJECT TO RETURN UPON REQUEST. REPRODUCTION, DISCLOSURE OR USE OF THIS DOCUMENT WITHOUT THE WRITTEN AUTHORIZATION OF DOVER CORPORATION IS STRICTLY FORBIDDEN.

WEIGHT: SEE NOTE

SCALE: 1:4 DO NOT SCALE DRAWING



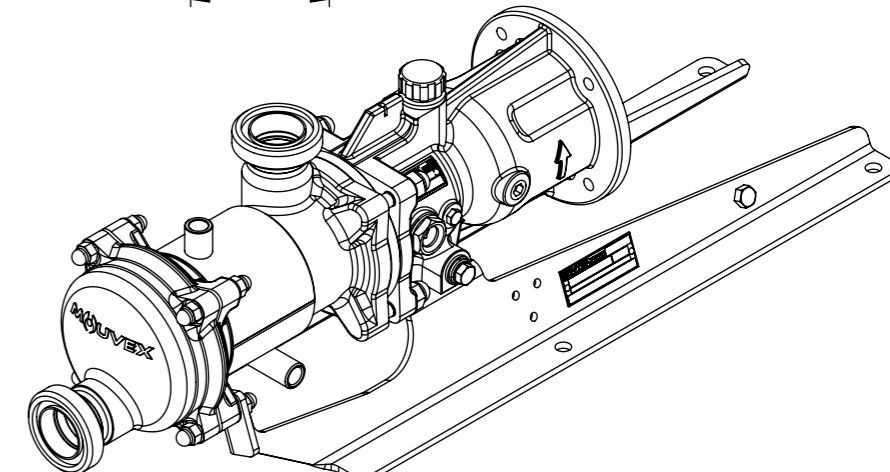
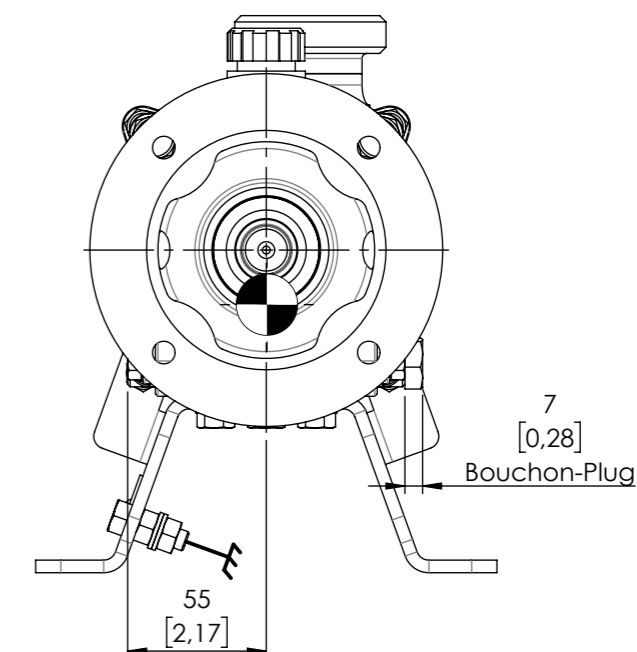
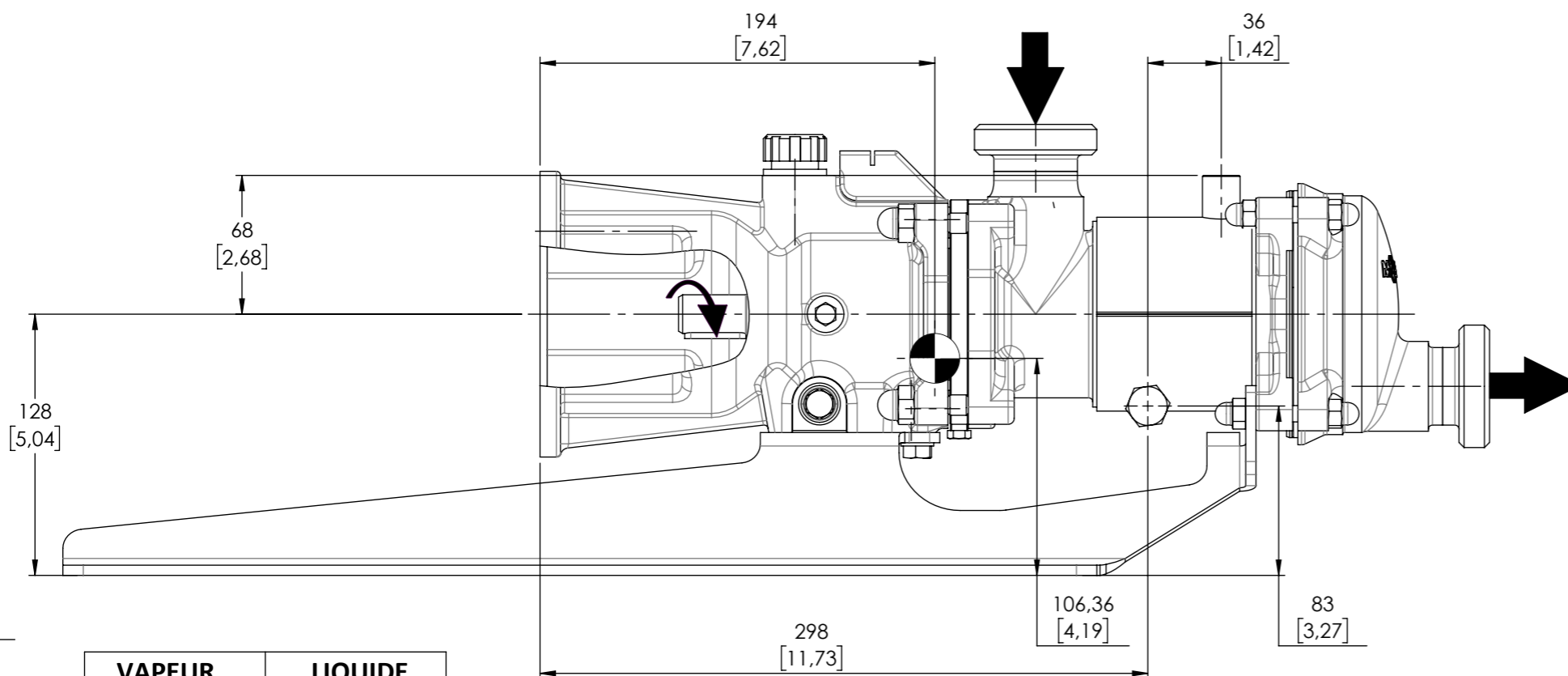
MOUVEX Z.I. Plaine des Isles
Rue des Caillottes
89000 AUXERRE - FRANCE
☎ (33) 3.86.49.86.30 - 📠 (33) 3.86.46.42.10

DRAWING N° **M003000A4**

REV: **A**

SIZE : A3 SHEET 1 OF 2

Pompe H-FLO_G-FLO 1_2_3 Enveloppe Réchauffage
Pump H-FLO_G-FLO 1_2_3 Heating Jacket

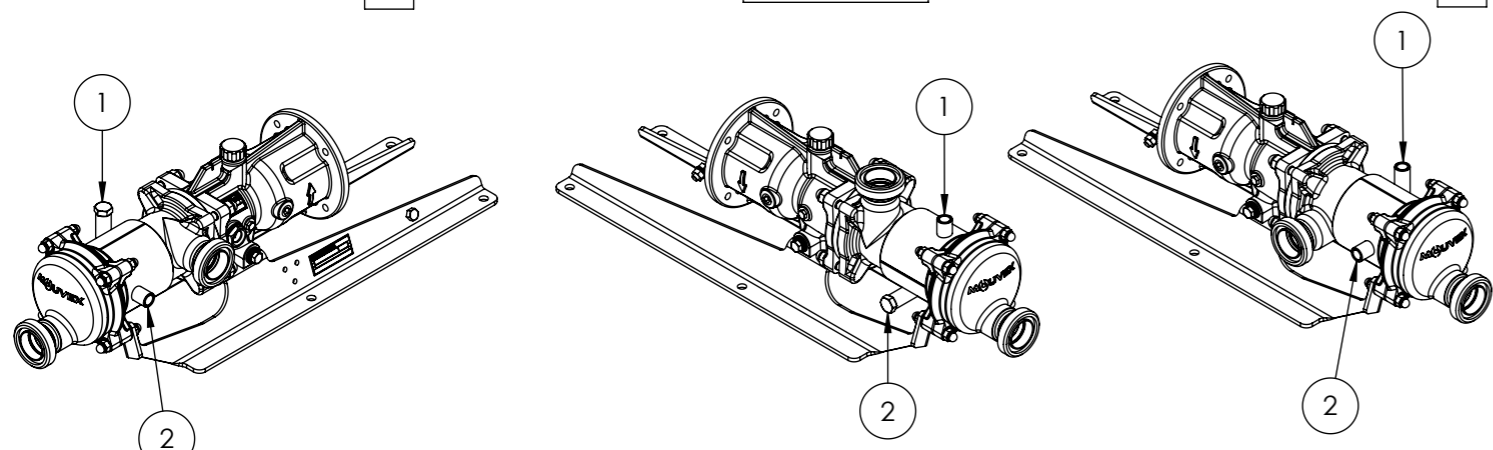


	VAPEUR (STEAM)	LIQUIDE (LIQUID)
①	Entrée (in)	Sortie (out)
②	Sortie (out)	Entrée (in)

RACCORDEMENT DE L'ENVELOPPE (JACKET CONNECTION) : Taraudage (tapping) 1/2" B.S.P.P

Enveloppe tubulaire
 (Inlet chamber heating jacket)

STANDARD 2



Le 3ème orifice doit être obstrué
 (the third orifice must be blocked)

NOTA:

-POUR LES AUTRES COTES VOIR LE PLAN D'ENCOMBREMENT SPECIFIQUE AU RACCORD (POIDS : AJOUTER 1kg POUR H-FLO/G-FLO 1-2-3).

(NOTE:

-OTHER DIMENSIONS: REFER TO THE DIMENSIONAL DRAWING CORRESPONDING WITH THE CONNECTION (WEIGHT: ADD 1kg FOR H-FLO/G-FLO 1-2-3).

UNLESS OTHERWISE SPECIFIED, ALL DIMENSIONS ARE IN mm

	NAME	DATE	PROJECTION FIRST ANGLE
DRAWN	NSJ	2024-06-19	
APPV'D	AW	2024-09-18	

MUVEX Z.I. Plaine des Isles
 Rue des Caillottes
 89000 AUXERRE - FRANCE
 ☎ (33) 3.86.49.86.30 📠 (33) 3.86.46.42.10

THIS DOCUMENT CONTAINS PROPRIETARY INFORMATION OF PSG - A DOVER COMPANY. ITS RECEIPT AND POSSESSION DO NOT CONVEY ANY RIGHTS TO REPRODUCE OR DISCLOSE ITS CONTENTS OR TO MANUFACTURE USE OR SELL ANYTHING IT MAY DESCRIBE. THIS DOCUMENT IS SUBJECT TO RETURN UPON REQUEST. REPRODUCTION, DISCLOSURE OR USE OF THIS DOCUMENT WITHOUT THE WRITTEN AUTHORIZATION OF DOVER CORPORATION IS STRICTLY FORBIDDEN.

WEIGHT: SEE NOTE
 SCALE: 1:4 DO NOT SCALE DRAWING
 DRAWING N° **M003000A4** REV: **A**
 SIZE : A3 SHEET 2 OF 2