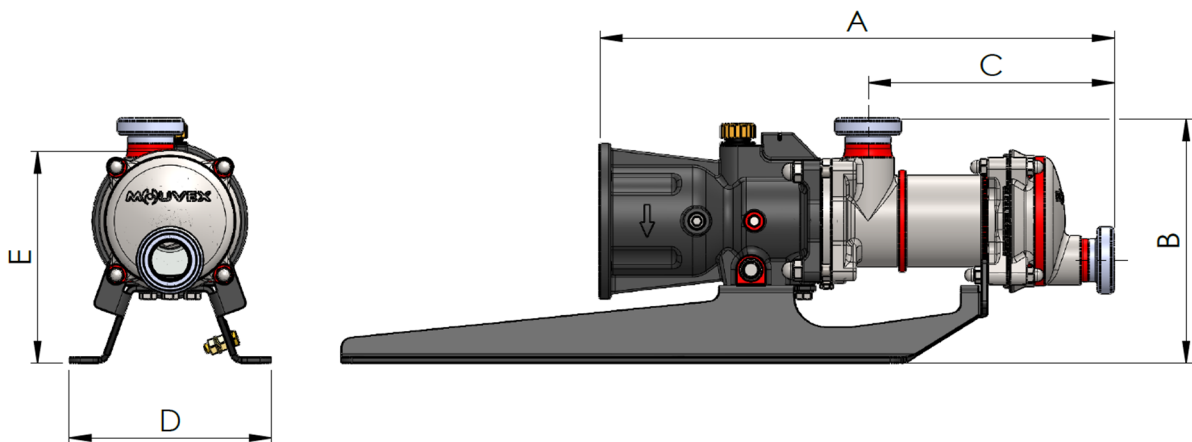


CHARACTERISTICS

	STANDARD	AVAILABLE OPTIONS
Technology	Eccentric Disc Mouvex®	
Maximum Flow rate m³/h (GPM)	H-FLO 1: 1 (4.4) H-FLO 2: 2 (8.8) H-FLO 3: 3 (13.2)	
Displacement per revolution (l / gal US)	H-FLO 1: 0.019 (0.005) H-FLO 2: 0.027 (0.007) H-FLO 3: 0.035 (0.009)	
Inlet chamber volume L (gal US)	0.4 (0.106)	
Outlet chamber volume L (gal US)	0.22 (0.058)	
Weight kg (lbs)	17 (37.5) with motor flange 13 (28.7) bare shaft	
Wet surface m² (in²)	0.19 (2.03)	
Moment of inertia kg.mm²	965	
Ports	DN40 SMS1145	DN50 DIN11851 DN50 DIN 11864 Aseptik 2" Clamp ASME-BPE DN50 Clamp ISO2852
Pump heating	None	Heating Jacket
Dimensions mm (in.) (with ISO PN16 flanges)	A	465.5 (18.33)
	B	221 (8.7)
	C	222.5 (8.76)
	D	183 (7.2)
	E	191.6 (7.52)



OPERATING LIMITS

Minimum temperature °C (°F)	-15 (5)
Maximum temperature °C (°F)	Process: 100 (212) Washing/Rinsing/Sterilisation:121 (250)
Maximum dynamic in-pump viscosity cP	10 000
Maximum differential pressure bar (psi)	H-FLO 1/2 : 16 (232) - H-FLO 3 : 10 (145)
Maximum inlet pressure barg (psig)	Process : 2 (29) Washing / Rinsing / Sterilization : 3 (43.5) Pump stopped : 6 (87)
Maximum speed rpm	1500
Maximum solid particle size mm (in)	0.58 (0.023)
Maximum soft particle size mm (in)	5 (0.196)

MATERIALS OF CONSTRUCTION

Part No	PART NAME	STANDARD MATERIALS	AVAILABLE OPTIONS
39102A	Inlet Chamber	316L Stainless Steel	
39201	Cylinder	316L Stainless Steel	
39301	Disc	CY5SnBiM (anti galling alloy)	
39304	Disc Nut	316L Stainless Steel	
39405	Outlet Cover	316L Stainless Steel	
39596	Transmission Assembly		
	Bearings	Ball / Roller / Needle	
	Double layers Bellow Assembly	316Ti & 316 L Stainless Fabrication	
	Housing	Ductile iron + cataphoresis	
	Transmission Lubricant	Synthetic oil	
39787	Foot	304L Stainless Steel	
	O-Rings	EPDM (EC 1935/2004 & FDA)	FEP EC 1935/2004 Encapsulated O-rings Fluorocarbon (FKM) O-Rings (EC 1935/2004 & FDA)

