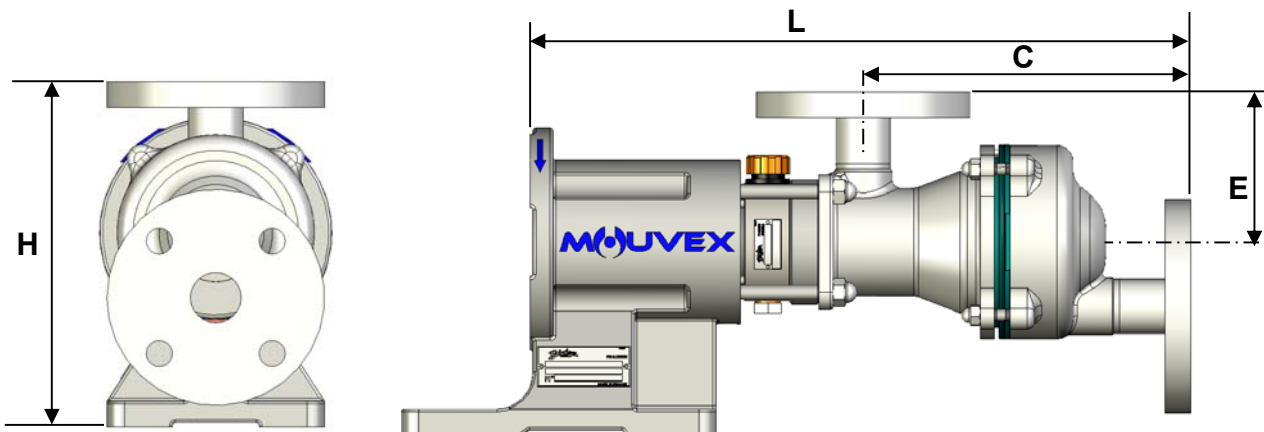


CHARACTERISTICS

	STANDARD	AVAILABLE OPTIONS
Technology	Eccentric Disc Mouvex®	
Maximum Flow rate at 1 cst l/h (GPM)	SLC1 : 1000 (4.4) SLC2 : 2000 (8.8) SLC3 : 3000 (13.2)	
Displacement per revolution (l / gal)	SLC1 : 0,017 / 0.0045 SLC2 : 0,034 / 0.009 SLC3 : 0.051 / 0.0135	
Inlet chamber volume (l / gal)	0,43 / 0.114	
Outlet chamber volume (l / gal)	0,16 / 0.042	
Ports	DN 40 ISO PN16 flanges	1 1/2" ANSI 150 flanges
Pump heating	None	Heating jacket
Motor Flange	IEC FT130-B34	NEMA145TC, Foot bracket
Dimensions (mm / in.) (With ISO PN16 flanges)	L	459.5 / 18.091
	H	240 / 9.449
	C	229.5 / 9.035
	E	105 / 4.134
Weight (kg / lbs)	23 / 51	



TIS SLC1_2_3i R08 e
Effective 25.06.19
Replaces 18.03.19

OPERATING LIMITS

Minimum temperature °C /°F	-15 / 5
Maximum temperature °C /°F	Process: 110 / 230 Washing / Rinsing / Sterilisation : 121 / 250
Maximum dynamic in-pump viscosity cP	10000
Maximum differential pressure (bar / psi)	SLC1 : 16 / 232 SLC2 : 10 / 145 SLC3 : 6 / 87
Maximum inlet pressure bar g (psig)	Process : 1.5 (21.7) Washing / Rinsing / Sterilisation : 3 (43.5) Pump stopped : 6 (87)
Maximum speed (rpm)	1000
Maximum solid particle size (mm/in)	2 / 0.079
Maximum soft particle size (mm/in)	4 / 0.157

MATERIALS OF CONSTRUCTION

Part No	PART NAME	STANDARD MATERIALS	AVAILABLE OPTIONS
100	Inlet Tube	316L Stainless Steel (low carbon)	
201	Cylinder	316L Stainless Steel (low carbon)	
301	Disc	Acteon (A494/A494M)	
309	Disc Nut	316Ti Stainless Steel (Titanium Alloy)	
400	Outlet Cover	316L Stainless Steel (low carbon)	
	Bolts	316L Stainless Steel (low carbon)	
781	Adaptor Flange	Nickel plated ductile iron	
	Transmission Assembly		
	Bearings	Ball / Roller / Needle	
596	Bellows Assembly	316Ti & 316 L Stainless Fabrication	
	Housing	316L Stainless Steel	
	Screws	Steel	
	Transmission Lubricant	Synthetic oil	
	Seal Rings	Fluorocarbon (FKM) O-Rings	PTFE Encapsulated O-rings

