

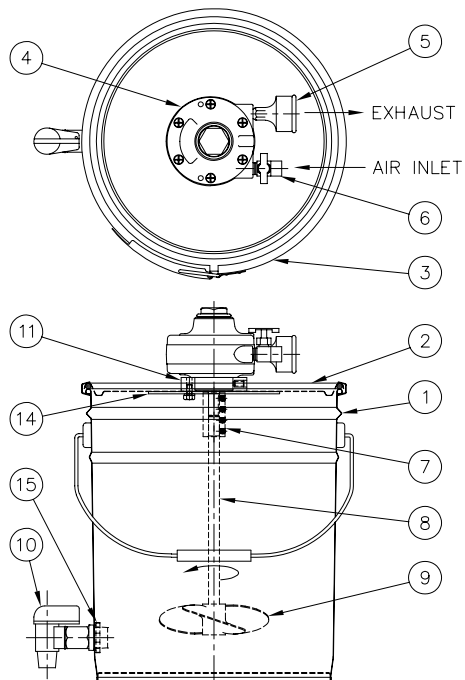


PAIL MIXER

ASSEMBLY INSTRUCTIONS AND PARTS LIST

MIXER MODELS: PM5CS THRU PM10SS

ATTENTION: TO INSURE SAFE AND EASY USE OF YOUR MIXER, READ THESE INSTRUCTIONS BEFORE USING.



Description

Pail mixers are designed for mixing of fluid in closed pails. The mixer is built into the pail lid which is easily mounted to or removed from the pail. The mixer speed can be varied from 0-2000 rpm by regulating the air inlet valve. The mixed liquid can be dispensed through the valve without opening up the pail. A locking ring secures the lid and the mixer while in operation.

General Safety Information

Warning: These mixers are intended for specific functions. Please follow all instructions to insure safe and proper use.

- (1) Be certain that all mounting hardware and the coupling and propeller set screws are properly tightened prior to operation.
- (2) Clamp lid securely to rim of pail with the locking ring. Be certain propeller is not touching bottom of pail before starting mixer.
- (3) Check the air supply, as the air motor requires a supply of 30 cfm @100 PSI.
- (4) Do not attempt to remove the mixer-lid assembly when mixer is operating, as this could result in personal injury or damage to the pail and mixer.
- (5) Always wear safety goggles when adding materials to or dispensing from the pail.

Assembly Instructions

- (1) Attach one end of the air hose supplied, to the air inlet valve attached to the air motor.
- (2) Attach the other end of the hose to a suitable air supply line.

| ITEM NO. | DESCRIPTION | QTY. | STEEL MODELS | | STAINLESS STEEL MODELS | |
|----------|-----------------------|------|--------------|--------|------------------------|--------|
| | | | PM5CS | PM10CS | PM5SS | PM10SS |
| 1* | PAIL | 1 | | | | |
| 2 | PAIL LID | 1 | 132018 | 132019 | 132020 | 132021 |
| 3 | CLAMP BAND | 1 | | | | |
| 4 | AIR MOTOR | 1 | | | | |
| 5 | MUFFLER | 1 | 107395 | 107395 | 107395 | 107395 |
| 6 | INTAKE VALVE | 1 | 106459 | 106459 | 106459 | 106459 |
| 7 | SS SHAFT COUPLING | 1 | 004022 | 004022 | 004022 | 004022 |
| 8 | SS MIXER SHAFT | 1 | 004298 | 004299 | 004298 | 004299 |
| 9 | SS PROPELLER | 1 | 106466 | 106466 | 106466 | 106466 |
| 10 | PLASTIC SPIGOT | 1 | 107720 | 107720 | - | - |
| | SS BALL VALVE | 1 | - | - | 107721 | 107721 |
| 11 | AIR MOTOR ADAPTER | 1 | 004300 | 004300 | 004300 | 004300 |
| 12 | AIR HOSE | 1 | 107722 | 107722 | 107722 | 107722 |
| 13 | AIR MOTOR REBUILD KIT | 1 | 107734 | 107734 | 107734 | 107734 |
| 14 | REINFORCEMENT PLATE | 1 | 004355 | 004355 | - | - |
| 15 | LOCKNUT | 1 | 107705 | 107705 | - | - |

Note: Item 12 and 13 not shown on page.

* All Steel Models (CS) come with Spigot outlet; All Stainless Steel models (SS) come with male threaded fitting outlet.



PSG
22069 Van Buren Street
Grand Terrace, CA 92313 USA

P: +1 (215) 699-8700 F: +1 (215) 699-0370
neptune1.com

Copyright 2018 PSG®, a Dover Company



psgdover.com