

Wilden® Murzan® Adapter Kit



Where Innovation Flows

WILDEN®

Wilden® Murzan® Adapter Kit

The Wilden® Murzan® Adapter Kit enables an easy upgrade of a Murzan pump to the more efficient Pro-Flo® SHIFT Air Distribution System (ADS). This is achieved by simply attaching an adapter block to the existing pump stand.

This adapter kit is part of the Wilden commitment to providing the ultimate in simplicity, innovation and value.

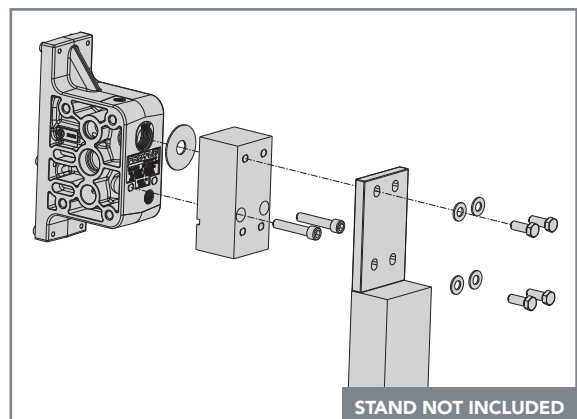
Contact your authorized Wilden Distributor to order your adapter kit.

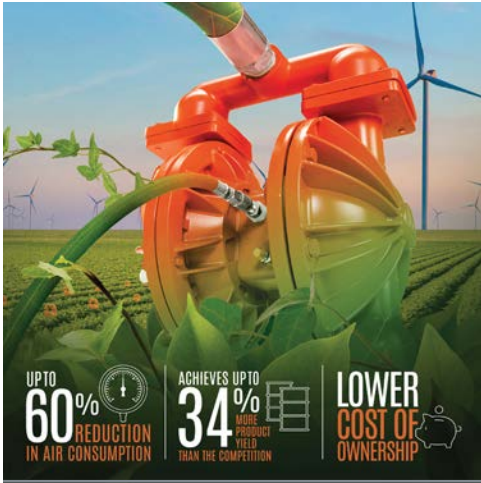
MURZAN ADAPTER KIT FEATURES

- Easy retrofitting with stainless steel adapter block featuring an integrated air inlet port on the bottom side
- Upgrade to the Pro-Flo SHIFT ADS for more air efficiency
- Optional upgrade to Wilden Pure-Fuse™ Integral Piston Diaphragms for increased life

MURZAN ADAPTER KIT INCLUDES:

- Murzan Pump ADS Adapter Block
- Pro-Flo SHIFT ADS
- Muffler & All Necessary Hardware





Pro-Flo SHIFT ADS

Featuring stall-free operation, easy maintenance and energy savings in compressed air, the Pro-Flo SHIFT ADS offers simple, reliable and efficient operation with a lower total cost of ownership.

PRO-FLO SHIFT ADS BENEFITS

- Up to 60% in air savings all while retaining existing flow rates
- Reduced total cost of ownership
- Minimum moving parts (less wear)

Pure-Fuse IPDs

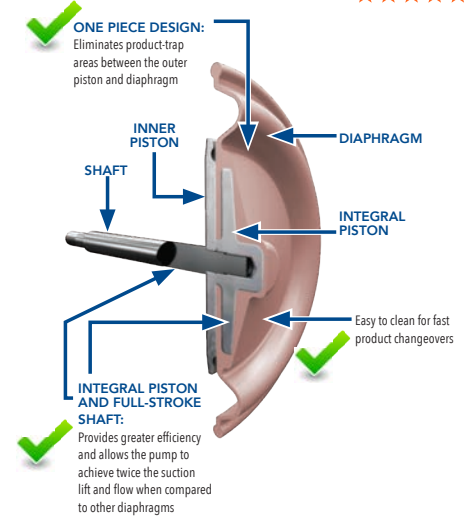
Wilden's Pure-Fuse IPDs can be used to further upgrade a Murzan pump. Designed without an outer piston to eliminate leak points and offer clean-in-place (CIP) capability, Pure-Fuse diaphragms offer superior flow and suction lift in food and pharmaceutical applications.

PURE-FUSE IPDS BENEFITS

- Wilden Pure-Fuse™ Integrated Piston Diaphragms (IPD) offer an up to 2-3x longer life
- Elimination of a potential leak point and bacteria trap at the outer piston when pumping product
- Elimination of outer-piston abrasion for longer life, especially when pumping abrasive fluids

PURE-FUSE DIAPHRAGM

BEST
★★★★★



WILDEN PURE-FUSE IPD DIAPHRAGM UPGRADE KITS FOR MURZAN PUMPS INCLUDE:


Kit Number	Material	Part Number	Item Description	Qty
08-9289-57	FDA Wil-Flex®	08-1031-57	51mm (2") Diaphragm, Primary, FSIPD	2
		08-6153-03	Adapter, Shaft Stud, 5/8 X 3/4	2
08-9289-56	SaniFlex®	08-1031-56	51mm (2") Diaphragm, Primary, SIPD	2
		08-6153-03	Adapter, Shaft Stud, 5/8 X 3/4	2
15-9289-57	FDA Wil-Flex®	15-1031-59	76mm (3") Diaphragm, Primary, FSIPD	2
		08-6153-03	Adapter, Shaft Stud, 5/8 X 3/4	2
15-9289-56	SaniFlex®	15-1031-56	76mm (3") Diaphragm, Primary, SIPD	2
		08-6153-03	Adapter, Shaft Stud, 5/8 X 3/4	2

NOTE: Murzan / Murzan® is a trademark of Murzan, Inc.

WIL-19310-F-01

Copyright 2024 PSG®, a Dover company

Authorized PSG® Partner:

Where Innovation Flows 
PSG
a DOVER company

WILDEN®

PSG
22069 Van Buren Street
Grand Terrace, CA 92313-5651 USA
P: +1 (909) 422-1730 • F: +1 (909) 783-3440
wildenpump.com